

NOTE:- WIRE SIZE DETAIL

- FERRUL NO. 6,8,9,10,11,12A,12B & FD - 4 sq.mm.
- FERRUL NO. 1 - 6 sq.mm.
- FERRUL NO. B1 & B2 - 6 sq. mm.
- REMAINING ALL CONTROL WIRES TO BE USED 1.5 sq.mm.
- ALL WIRES TO BE USED LAPP / DIN MAKE.

GOV. CARD CONNECTIONS ARE APPLICABLE ONLY FOR

- 4RTA - KFP4R - UF15
- 6RTA - KFP6R - UF25,SL90-KFP6S-uf35
- * NOT FOR 4RNA - KFP4R - UF07 DUE TO MECHANICAL GOVERNING
- * (ALL CONNECTIONS INSULATED & TO BE TIED PROPERLY)

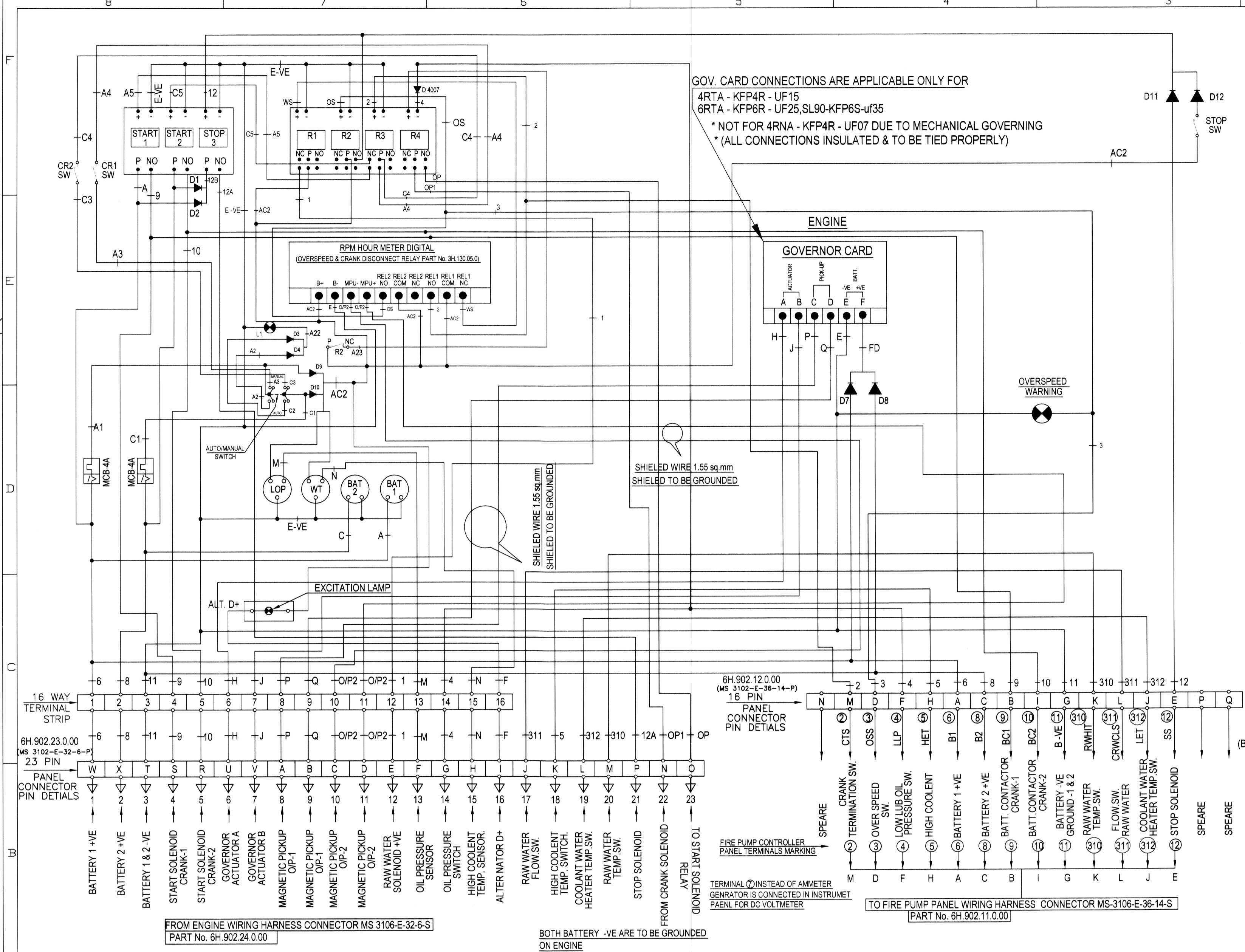
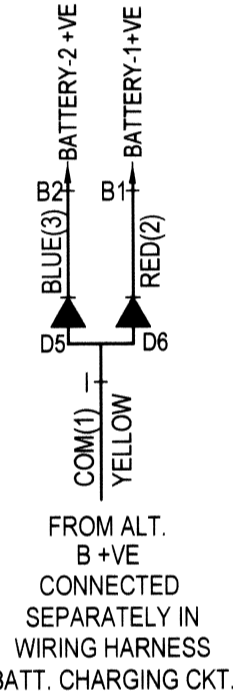
- LEGENDS:- (4 CHANNEL 2 C/O RELAY BOARD 24V DC / 5AMP)
- R1 - RAW WATER SOLENOID RELAY
 - R2 - OVERSPEED RELAY (PART No. F6.865.05.0)
 - R3 - CRANK DISCONNECT RELAY
 - R4 - LOP RELAY

- CIRCUIT BREAKER (PART No. 3H.864.03.0)
- MCB -1 - BATTERY 1 +VE CIRCUIT BREAKER 4 AMP
 - MCB -2 - BATTERY 2 +VE CIRCUIT BREAKER 4 AMP

- GAUGES
- LOP - LUB.OIL PRESSURE GAUGE (24V DC) (PART No.46.251.01.0)
 - WT - WATER TEMPERATURE GAUGE (24V DC) (PART No.F6.943.01.0)
 - BAT1 - BATTERY 1 VOLTMETER (0 TO 32V) (PART No.F6.863.06.0)
 - BAT2 - BATTERY 2 VOLTMETER (0 TO 32V) (PART No.F6.863.06.0)

- INDICATIONS
- L1 - WARNING LAMP AUTO/MANUAL
 - L2 - OVERSPEED WARNING LAMP

- DIODE-
- D1 - RECTIFIER - 1
 - D2 - RECTIFIER - 2
 - D3 - RECTIFIER - 2
 - D4 - RECTIFIER - 2
 - D5 - BATTERY CHARGING DIODE SPLITTER
 - D6 - BATTERY CHARGING DIODE SPLITTER
 - D7 - RECTIFIER - 3
 - D8 - RECTIFIER - 3
 - D9 - RECTIFIER - 4
 - D10 - RECTIFIER - 4
 - D11 - DIODE
 - D12 - DIODE
- 3 - CHANEL RELAY BOARD (24V)
- START - 1 - CRANK-1 RELAY
 - START - 2 - CRANK-2 RELAY
 - STOP3 - STOP SOLENOID RELAY



FROM ENGINE WIRING HARNESS CONNECTOR MS 3106-E-32-6-S PART No. 6H.902.24.0.00

BOTH BATTERY -VE ARE TO BE GROUNDED ON ENGINE

TERMINAL ⑦ INSTEAD OF AMMETER GENERATOR IS CONNECTED IN INSTRUMENT PANEL FOR DC VOLTMETER

TO FIRE PUMP PANEL WIRING HARNESS CONNECTOR MS-3106-E-36-14-S PART No. 6H.902.11.0.00

LIFECYCLE STATE:- RELEASED

IF IN DOUBT ASK PRINTS OF PREVIOUS REVISION NO. SHOULD BE SCRAPPED

THIS DRAWING IS PROPERTY OF KIRLOSKAR OIL ENGINES LTD. AND MUST BE RETURNED ON REQUEST. IT IS SUBMITTED AS CONFIDENTIAL INFORMATION WITH OUR ENQUIRY, TENDER ORDER OR CONTRACT NO. IT IS NOT TO BE ISSUED FOR ANY OTHER PURPOSE OR ORDER NOR MAY BE COPIED OR LENT WITHOUT OUR AUTHORITY IN WRITING.

FORMAT No.R&E/FDRM/055/01 (REFER DDP No R&E 4.4/03)

UNLESS OTHERWISE SPECIFIED		CAD DRG. FILE:- PLM		CASTING/FORGING DRG. NO.	
• ALL DIMENSIONS ARE IN mm.		MATERIAL :-		HEAT TREATMENT :-	
• SURFACE ROUGHNESS AS PER CD STD.NO.10501.		DRN MVM		WEIGHT :-	
• UNMENTIONED TOLERANCES AS PER CD STD.NO.11001.		TITILE		TYPE 6SL90 TA	
• REMOVE ALL SHARP BURRS AND SHARP EDGES.		CONTROL WIRING CIRCUIT DIAGRAM		SCALE 1:5	
• DRAWING NOT TO BE SCALED.		FOR FIRE-FIGHTING PANEL 24V DC (FM/UL) REVISED STANDARD		SHT. NO 1 OF 1	
UNMENTIONED		DATE 10/12/13		DRAWING NO.	
RADI		KIRLOSKAR OIL ENGINES LTD.,		REV. NO.	
CHAMFER		PUNE 411 003 (INDIA)		F6.465.22.0.00	
UNDERCUT				00	

No	REVISION	ZONE	MODIFIED BY	REF. No	DATE
00	'PR' CHANGED TO '00'		MVM	19148	21.04.15

No	REVISION	ZONE	MODIFIED BY	REF. No	DATE