



Enriching Lives

**ILLUSTRATED SPARE PART LIST
FOR**

**KFP6R-UF25
FM/UL ENGINE S/F FIRE
FIGHTING A/C DOMESTIC**

**APPLICATION CODE NO.
6H.2583**

KIRLOSKAR OIL ENGINES LIMITED

Regd. Office: Laxmanrao Kirloskar Road, Khadki, Pune - 411 003, (India).
Tel.: +91 (20) 2581 0341, 2581 5341. Fax: +91 (20) 2581 3208, 2581 0209.
Website: www.koel.co.in

JUNE – 2015

PUBLICATION NO. : 6H.561.46.0.00

REV.00

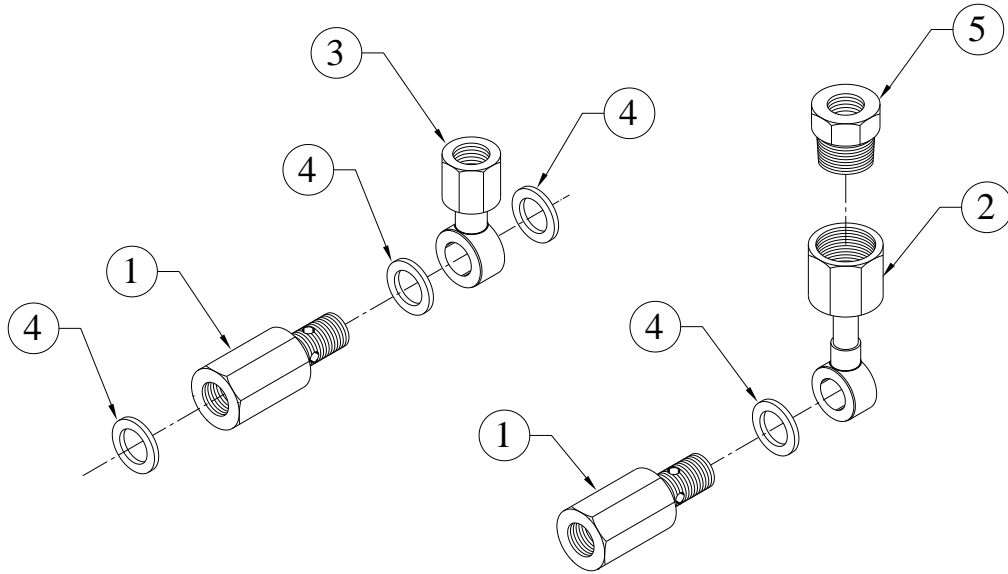
GROUP INDEX
APPLICATION CODE 6H.2583

| SR.NO. | DESCRIPTION | GROUP NO. | QTY. | PAGE NO. |
|---------------|---|------------------|-------------|-----------------|
| 1 | ADOPTOR FOR SWITCHES | 4H.420.4 | 1 | 5 |
| 2 | AIR CLEANER(DONALDSON) FOR 6R1080TRWA F.F. ENGINES | 6H.1128 | 1 | 6 |
| 3 | ALTERNATOR MOUNTING WITH 90 PCD PULLEY DOUBLE GROOVE | 4H.263.3 | 1 | 7 TO 8 |
| 4 | BELT GUARD FOR 6RTA ENGINE | 6H.1148.2 | 1 | 9 |
| 5 | BLANKET ASSLY. ON AIR DELIVERY PIPE TO CAC FOR KFP6R-UF25 ENGINE | 6H.1142.1 | 1 | 10 |
| 6 | BREATHER PIPE | 6H.024.3 | 1 | 11 |
| 7 | CAMSHAFT SF P2 TYPE THRUST WASHER | 6H.226 | 1 | 12 |
| 8 | CENTRIFUGE LUB OIL FILTER | 6H.021 | 1 | 13 |
| 9 | CHARGING ALTERNATOR 12V | 3H.315 | 1 | 14 |
| 10 | COOLING LINE(1 1/4") WITH FLOW SWITCH FOR 6R1080TA ENGINE | 6H.1156.1 | 1 | 15 TO 16 |
| 11 | COVER FOR FUEL PUMP BORE | 4H.373 | 1 | 17 |
| 12 | CRANK CASE SF P2 TYPE THRUST WASHER MTG. | 6H.233 | 1 | 18 TO 22 |
| 13 | CRANK PULLEY 2GR,SPA,WITH VISCUSS DAMPER,W/O EXT PULLEY | 6H.338 | 1 | 23 |
| 14 | CRANKSHAFT (FMUL) | 6H.002.2 | 1 | 24 TO 25 |
| 15 | CYLINDER HEAD (P-TYPE) | 6H.147 | 1 | 26 TO 28 |
| 16 | CYLINDER LINER.(105 DIA) | 2H.008 | 6 | 29 |
| 17 | DELIVERY BODY | 2H.013...EXP | 1 | 30 |
| 18 | DIP STICK (20DEG INCL SHORT) | 06.248 | 1 | 31 |
| 19 | ELECTRONIC GOVERNOR SET(ACTUATOR-ADC225 D1S-12V & CARD-ESD 5119) & LINKAGE ASSLY. FOR F.F. APPLN. | 4H.1475.2 | 1 | 32 TO 33 |
| 20 | ENGINE MOUNTING FOOT | 6H.033.2 | 1 | 34 |
| 21 | ENGINE NAME PLATE WITH FUEL DATA | 4H.1440 | 1 | 35 |
| 22 | EXHAUST GAS OUTLET (S/F K27 TURBO) | 6H.1149 | 1 | 36 |
| 23 | EXHAUST MANIFOLD (6RT, V.S. K27 TURBO) | 6H.143 | 1 | 37 |
| 24 | EXHAUST SILENCER INDUSTRIAL TYPE FOR F.F. ENGINES | 6H.1126 | 1 | 38 |
| 25 | EXPANSION BELLOW (4") AND MOUNTING | F6.550 | 1 | 39 |
| 26 | FASTENER FOR WATER PUMP PULLEY MOUNTING (FOR HE COOLED FOR F.F. APPLICATION) | 6H.104.1 | 1 | 40 |
| 27 | FIP FOR 6RTA FIRE FIGHTING APPLICATION | 6H.1134 | 1 | 41 |
| 28 | FLYWHEEL HOUSING (SAE3-144.5) | 4H.038 | 1 | 42 |
| 29 | FLYWHEEL (C-110 PTO & SP-111 PTO) | 04.039 | 1 | 43 |
| 30 | FRONT COVER S/F VISCUS DAMPER | 6H.357.3 | 1 | 44 |
| | | | | |

| SR.NO. | DESCRIPTION | GROUP NO. | QTY. | PAGE NO. |
|--------|--|--------------|------|----------|
| 31 | FUEL STOP SOLENOID WITH SUITABLE LINKAGE & HARDWARE FOR FIRE FIGHTING APPLICATION | 4H.1357.5 | 1 | 45 |
| 32 | FUEL SUPPLY & LEAK-OFF SYSTEM | 6H.1154.1 | 1 | 46 |
| 33 | GEAR CASING (FOR FMUL ENGINE) | 6H.311.2 | 1 | 47 |
| 34 | HEAT EXCHANGER FOR 6R1080TA F.F. ENGINES | 6H.1145.2 | 1 | 48 TO 49 |
| 35 | HEAT SHIELD MOUNTING | 6H.1153.1 | 1 | 50 |
| 36 | HIGH PRESSURE PIPE (SPP) | 6H.009.1 | 1 | 51 |
| 37 | INJECTOR & MOUNTING (SPP) | 4H.1529 | 6 | 52 |
| 38 | INLET MANIFOLD(ALUMINIUM | 6H.204.4 | 1 | 53 |
| 39 | INSTRUMENTAL PANEL WITH STANDARD REVISION(INDIGENOUS DEVELOPED,FM/UL TYPE) 12V FOR FIRE FIGHTING APPLN | 6H.1147.4 | 1 | 54 TO 58 |
| 40 | INTERMEDIATE GEAR & SUPPORT SF AUTO TIMER 6R1080 SERIES | 6H.267 | 1 | 59 |
| 41 | LIFTING HOOK | 6H.048.1 | 1 | 60 |
| 42 | LUB OIL COOLER AND FILTER (FOR JACKET WATER HEATING) | 6H.113...EXP | 1 | 61 TO 62 |
| 43 | LUB OIL PUMP | 6H.047 | 1 | 63 TO 65 |
| 44 | LUB OIL SUMP (SHALLOW) S.F.REDUCED WIDTH GEAR CASING | 6H.378 | 1 | 66 |
| 45 | MOUNTING FOR FUEL FILTER (SPIN ON) & FUEL PIPES | 6H.1146.1 | 1 | 67 |
| 46 | OIL FILLING BODY (FMUL) | 3H.042.1 | 1 | 68 |
| 47 | OIL SEAL HOUSING | 6H.045.4 | 1 | 69 |
| 48 | PISTON AND CON ROD ASSEMBLY (TURBO ,P.G. --40 DIA PIN) | 4H.180.1 | 6 | 70 TO 71 |
| 49 | PULLEY FOR WATER PUMP SPA SECTION, 2 GR. (120 PCD) | 4H.262 | 1 | 72 |
| 50 | PUSHROD AND TAPPETS | 2H.007.3 | 6 | 73 |
| 51 | ROCKER COVER (ALUMINIUM) | 6H.222...EXP | 1 | 74 TO 75 |
| 52 | SPIN ON FUEL FILTER (MICO NO F002 H20 116) | 3H.132 | 1 | 76 |
| 53 | STARTER SOLENOID (DUMORE) 12V FOR F.F. ENGINES | 4H.1347 | 1 | 77 |
| 54 | STARTER MOTOR MICO MAKE 12V, 3KW, TYPE DE114X2012 V R (3KW) FOR 6R 1040. | 6H.675 | 1 | 78 |
| 55 | STICKERS FOR 6R ENGINES | 6H.1143 | 1 | 79 |
| 56 | SUCTION TUBE | 6H.006 | 1 | 80 |
| 57 | TEMPRATURE SWITCH & SENSORS FOR FM/UL ENGINE | F6.906.1 | 1 | 81 TO 82 |
| 58 | THERMOSTAT AND HOUSING ASSEMBLY (USA) | 4H.096...EXP | 1 | 83 TO 84 |
| 59 | TOOLS FOR FIRE FIGHTING APPLICATION | 4H.1439 | 1 | 85 |
| 60 | TURBO LUB OIL PIPING (FOR K27) | 6H.141.2 | 1 | 86 |
| 61 | TURBOCHARGER FOR 6RTA SPP ENGINE | 6H.1135 | 1 | 87 |

TITLE: - ADOPTOR FOR SWITCHES

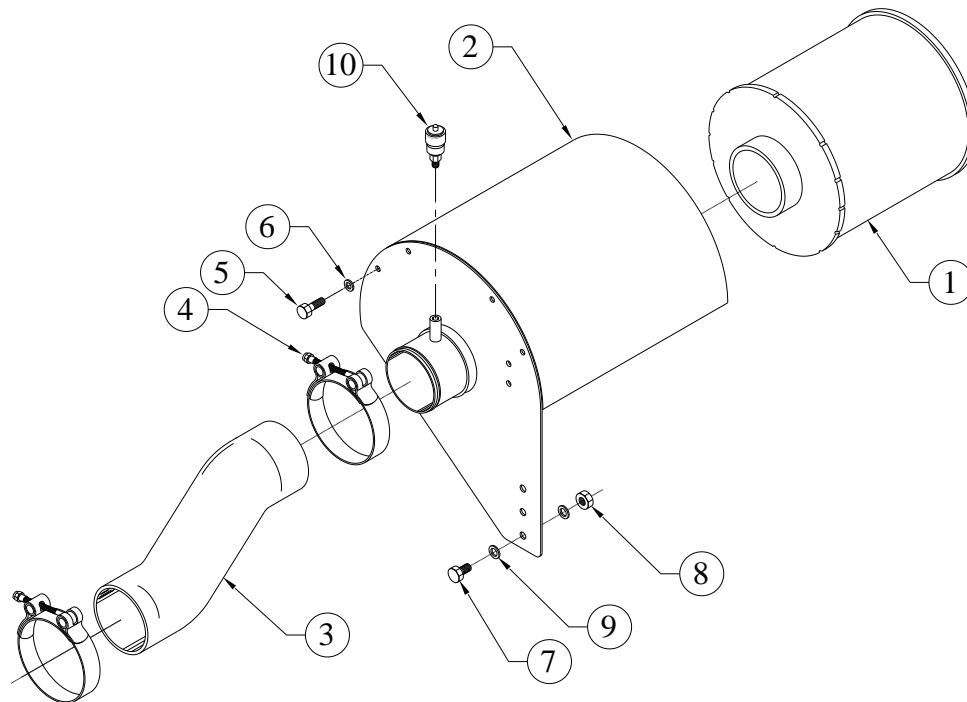
GROUP: - 4H.420.4



| SR.NO. | PART NO. | DESCRIPTION | QTY. | REMARKS |
|--------|----------------|---|------|---------|
| 1 | 4H.225.22.0.00 | ADAPTOR FOR WATER TEMP. SENSOR | 1 | |
| 2 | 4H.225.29.0.PR | ADAPTOR FOR WATER TEMP. SWITC | 1 | |
| 3 | 06.610.08.0.00 | ADAPTOR FOR 2R1040 FOR WATER CONNECTION | 2 | |
| 4 | 50.508.12.0.00 | COPPER WASHER (14X20) | 6 | |
| 5 | 4H.225.35.0.PR | ADAPTOR FOR LOW COOLANT TEMP. SWITCH | 1 | |
| | | | | |
| | | | | |
| | | | | |
| | | | | |
| | | | | |
| | | | | |
| | | | | |
| | | | | |
| | | | | |
| | | | | |

**TITLE: - AIR CLEANER (DONALDSON) FOR
6R1080TRWA F.F. ENGINES**

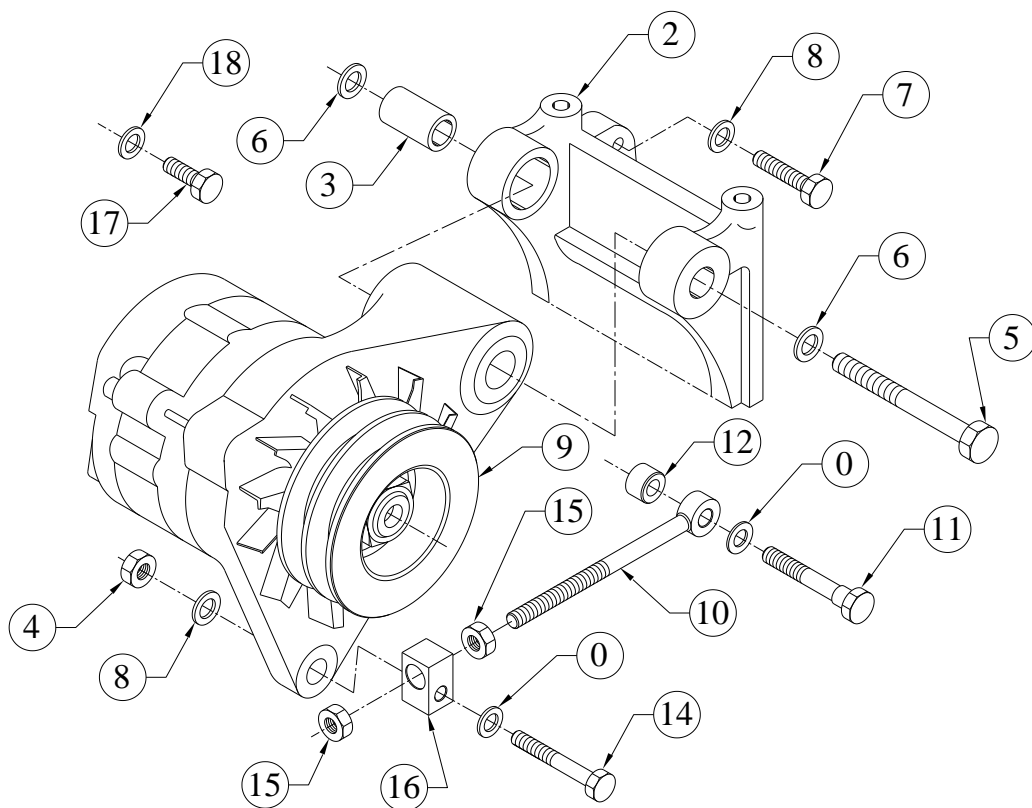
GROUP: - 6H.1128



| SR.NO. | PART NO. | DESCRIPTION | QTY. | REMARKS |
|--------|-----------------|--|------|---------|
| 1 | 6H.1128.01.0.00 | AIR CLEANER (DONALDSON, B105006) FOR 6R1080TRWA F.F. ENGINES | 1 | |
| 2 | 6H.1128.03.0.00 | GUARD (FOR AIR CLEANER) | 1 | |
| 3 | 6H.1128.02.0.00 | HOSE (TURBO CHARGER TO AIR CLEANER) | 1 | |
| 4 | KV8.505.13.0.00 | HOSE T BOLT CLAMP FOR OD 112MM JUPITOR JT6 A20 112DN OR EQUIVALENT | 3 | |
| 5 | 50.003.08.015. | SET SCREW - M8X1.25X15 - 8.8 | 4 | |
| 6 | 50.506.08.000. | PLAIN MACHINED WASHER - M8 | 4 | |
| 7 | 50.003.10.020. | SET SCREW - M10X1.5X20 - 8.8 | 5 | |
| 8 | 50.006.10.000. | NUT - M10X1.5 - GR.8.8 | 5 | |
| 9 | 50.506.10.000. | PLAIN MACHINED WASHER - M10 | 5 | |
| 10 | 47.113.15.0.00 | RESTRICTION INDICATOR - 20"W.G. | 1 | |
| | | | | |
| | | | | |
| | | | | |

TITLE: - ALTERNATOR MOUNTING WITH 90 PCD PULLEY DOUBLE GROOVE

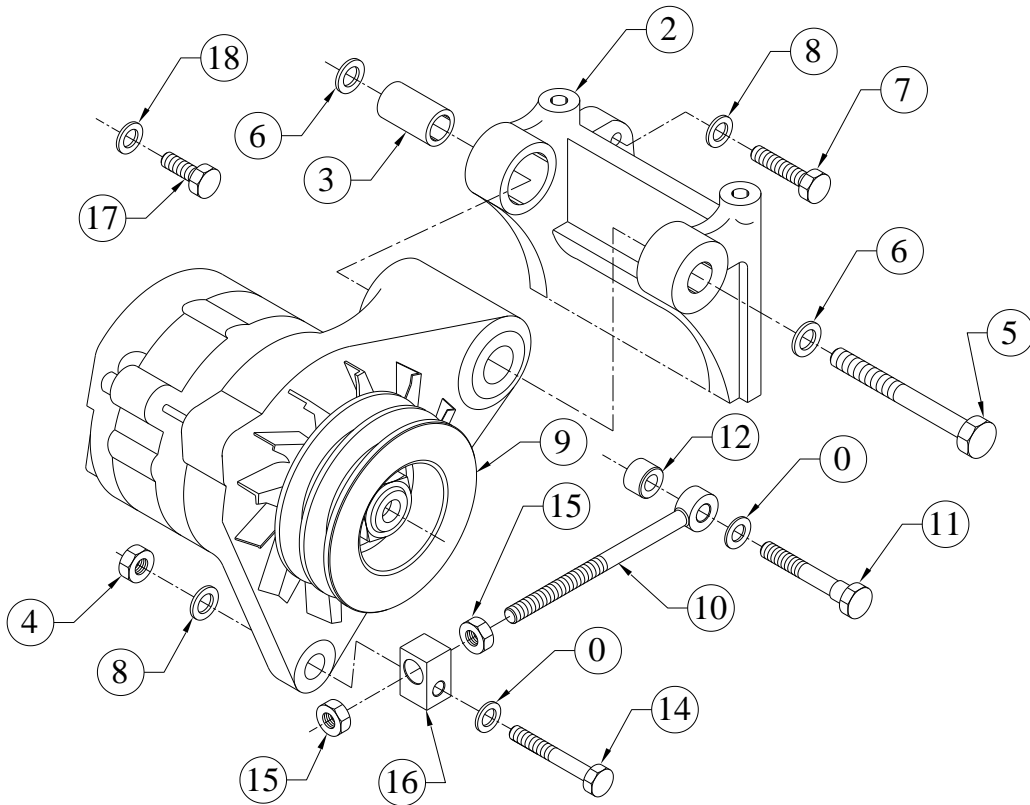
GROUP: - 4H.263.3



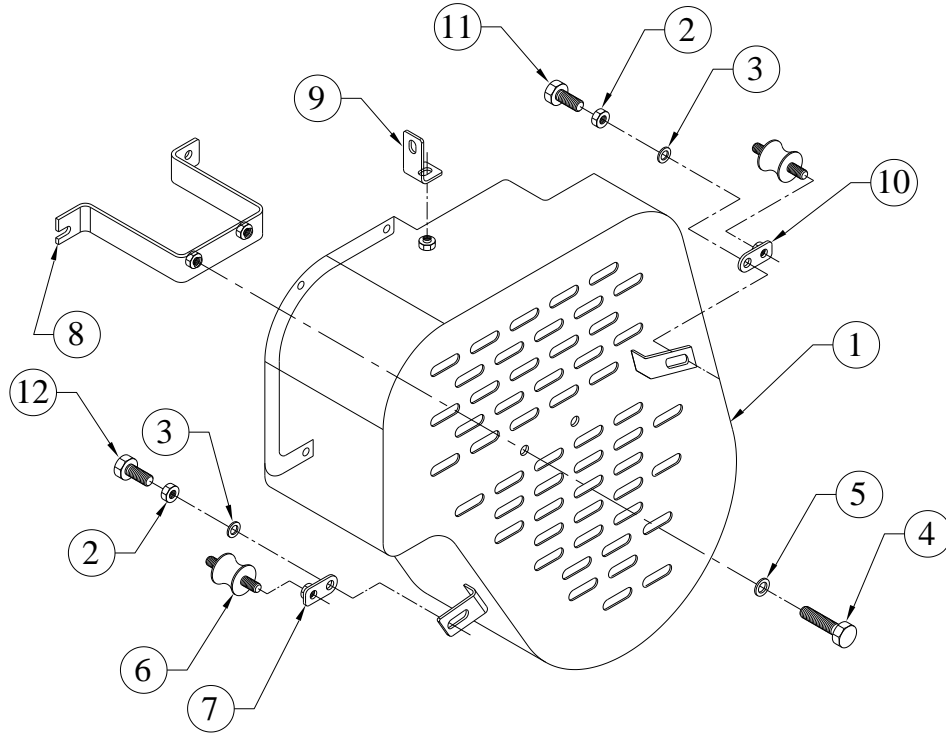
| SR.NO. | PART NO. | DESCRIPTION | QTY. | REMARKS |
|--------|----------------|---|------|------------------------------|
| *1 | 4H.044.20.0.00 | MOUNTING SUBASLY.FOR ALTERNATOR | 1 | CONSISTING OF SR. NO. 2 TO 6 |
| 2 | 48.175.07.0.00 | BKT.FOR ALT | 1 | |
| 3 | 48.067.04.0.00 | BUSH FOR ALTERNATOR (IN BRACKET) 32MM | 1 | |
| 4 | 50.006.10.000 | NUT - M10X1.5 - GR.8 | 1 | |
| 5 | 48.067.03.7.00 | DOWEL BOLT FOR ALTERNATOR M10X1.5 (130MM) | 1 | |
| 6 | 50.506.10.000 | PLAIN MACHINED WASHER - M10 | 3 | |
| 7 | 50.003.10.040 | SET SCREW - M10X1.5X40 - 8.8 | 2 | |
| 8 | 50.506.10.000. | PLAIN MACHINED WASHER - M10 | 6 | |
| 9 | 4H.263.01.0.00 | ALTERNATOR PULLEY (90 PCD) | 1 | |
| 10 | 4H.329.24.0.00 | EYE BOLT (190MM) | 1 | |
| 11 | 4H.198.06.0.00 | LOCATING BOLT (FOR EYE BOLT) | 1 | |
| 12 | 03.110.02.0.00 | SPACER | 1 | |
| 13 | 50.506.12.000 | PLAIN MACHINED WASHER - M12 | 1 | |
| 14 | 50.002.10.040 | SET BOLT - M10X1.5X55 - 8.8 | 1 | |
| 15 | 50.006.10.000 | NUT - M10X1.5 - GR.8 | 2 | |

**TITLE: - ALTERNATOR MOUNTING WITH 90
PCD PULLEY DOUBLE GROOVE**

GROUP: - 4H.263.3



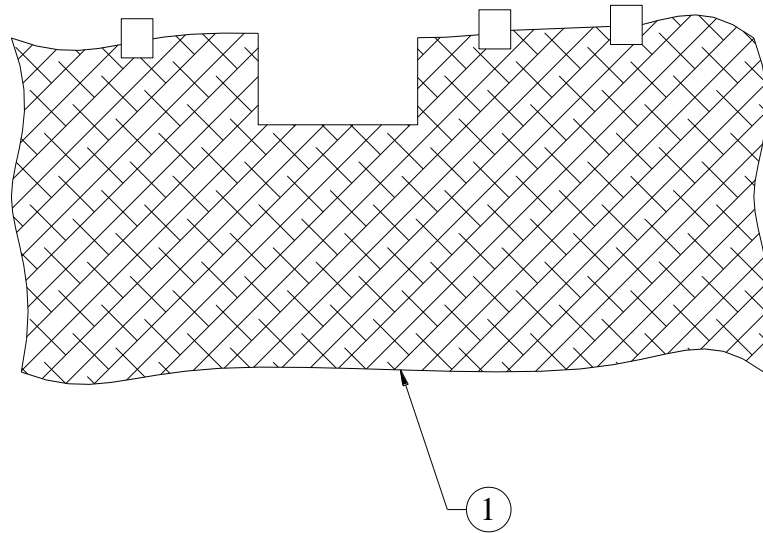
| SR.NO. | PART NO. | DESCRIPTION | QTY. | REMARKS |
|--------|----------------|------------------------------|------|---------|
| 16 | 4H.329.26.0.00 | SWIVEL PIECE | 1 | |
| 17 | 50.003.08.018 | SET SCREW - M8X1.25X18 - 8.8 | 1 | |
| 18 | 50.506.08.000 | PLAIN MACHINED WASHER - M8 | 1 | |
| | | | | |
| | | | | |
| | | | | |
| | | | | |
| | | | | |
| | | | | |
| | | | | |
| | | | | |
| | | | | |
| | | | | |
| | | | | |
| | | | | |
| | | | | |
| | | | | |
| | | | | |
| | | | | |
| | | | | |
| | | | | |
| | | | | |
| | | | | |
| | | | | |
| | | | | |
| | | | | |
| | | | | |

TITLE: - BELT GUARD FOR 6RTA ENGINE**GROUP: - 6H.1148.2**

| SR.NO. | PART NO. | DESCRIPTION | QTY. | REMARKS |
|--------|-----------------|--|------|---------|
| 1 | 6H.1148.01.0.00 | BELT GUARD (FOR FIRE FIGHTING APPLICATION) | 1 | |
| 2 | 50.006.08.000. | NUT- M8X1.25 - GR.8.8 | 8 | |
| 3 | 50.506.08.000. | PLAIN MACHINED WASHER - M8 | 8 | |
| 4 | 50.003.10.015. | SET SCREW - M10X1.5X15 - 8.8 | 2 | |
| 5 | 50.506.10.000. | PLAIN MACHINED WASHER - M10 | 2 | |
| 6 | 3H.880.02.0.00 | ANTI VIBRATION MOUNTING FOR CONTROL PANEL TS STANDARD MAKE (20 MM HEIGHT). | 2 | |
| 7 | 4H.1361.05.0.00 | HOLDING PLATE (BELT GUARD MTG) | 2 | |
| 8 | 6H.1148.02.0.00 | SUPPORT (FOR BELT GUARD) | 1 | |
| 9 | 6H.1148.03.0.00 | HOLDING PLATE (BELT GUARD MTG) | 1 | |
| 10 | 4H.1361.03.0.00 | HOLDING PLATE (FOR BELT GUARD MTG.) | 1 | |
| 11 | 50.003.08.020 | SET SCREW - M8X1.25X20 - 8.8 | 2 | |
| 12 | 50.003.08.025 | SET SCREW - M8X1.25X25 - 8.8 | 1 | |

**TITLE: - BLANKET ASSLY. ON AIR DELIVERY
PIPE TO CAC FOR KFP6R-UF25 ENGINE**

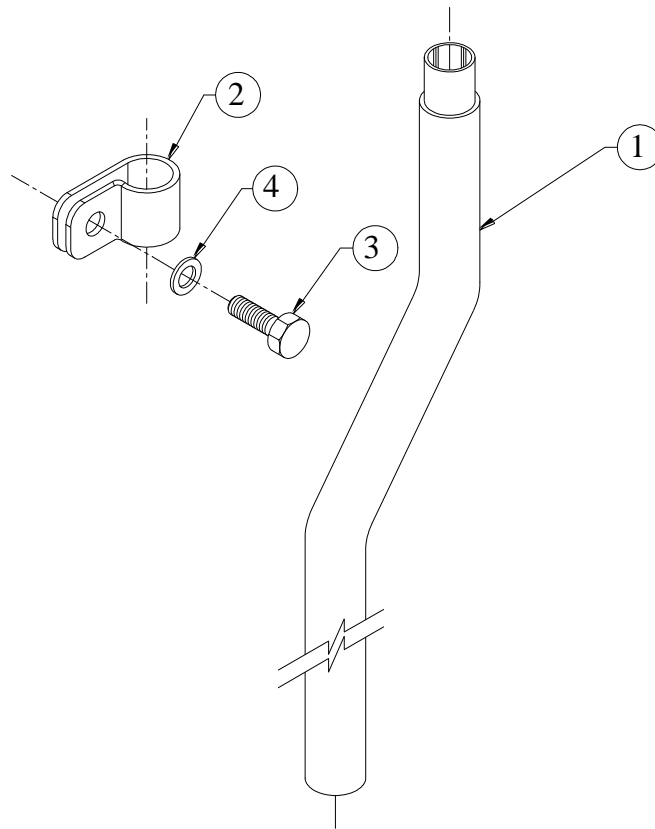
GROUP: - 6H.1142.1



| SR.NO. | PART NO. | DESCRIPTION | QTY. | REMARKS |
|--------|-----------------|--|------|---------|
| 1 | 6H.1142.11.0.00 | BLANKET ON AIR DELIVERY PIPE FOR 6R1080TA ENGINES | 1 | |
| | | | | |
| | | | | |
| | | | | |
| | | | | |
| | | | | |
| | | | | |
| | | | | |
| | | | | |
| | | | | |
| | | | | |
| | | | | |
| | | | | |
| | | | | |
| | | | | |
| | | | | |
| | | | | |
| | | | | |
| | | | | |
| | | | | |
| | | | | |
| | | | | |
| | | | | |

TITLE:- BREATHER PIPE

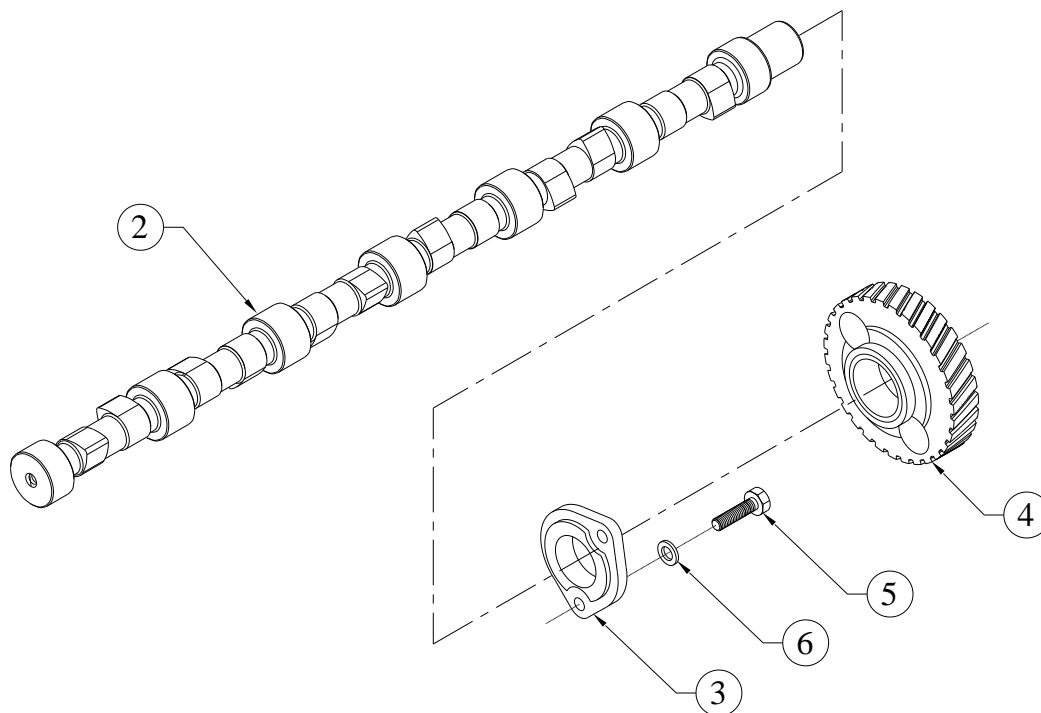
GROUP:- 6H.024.3



| SR.NO. | PART NO. | DESCRIPTION | QTY. | REMARKS |
|--------|----------------|------------------------------|------|---------|
| 1 | 6H.024.03.0.00 | BREATHER PIPE | 1 | |
| 2 | 6H.024.04.0.00 | CLIP (FOR BREATHER PIPE) | 1 | |
| 3 | 50.003.08.020. | SET SCREW - M8X1.25X20 - 8.8 | 1 | |
| 4 | 50.506.08.000. | PLAIN MACHINED WASHER - M8 | 1 | |
| | | | | |
| | | | | |
| | | | | |
| | | | | |
| | | | | |
| | | | | |
| | | | | |
| | | | | |
| | | | | |
| | | | | |
| | | | | |
| | | | | |
| | | | | |
| | | | | |
| | | | | |
| | | | | |
| | | | | |
| | | | | |
| | | | | |
| | | | | |

TITLE: - CAMSHAFT SF P2 TYPE THRUST WASHER

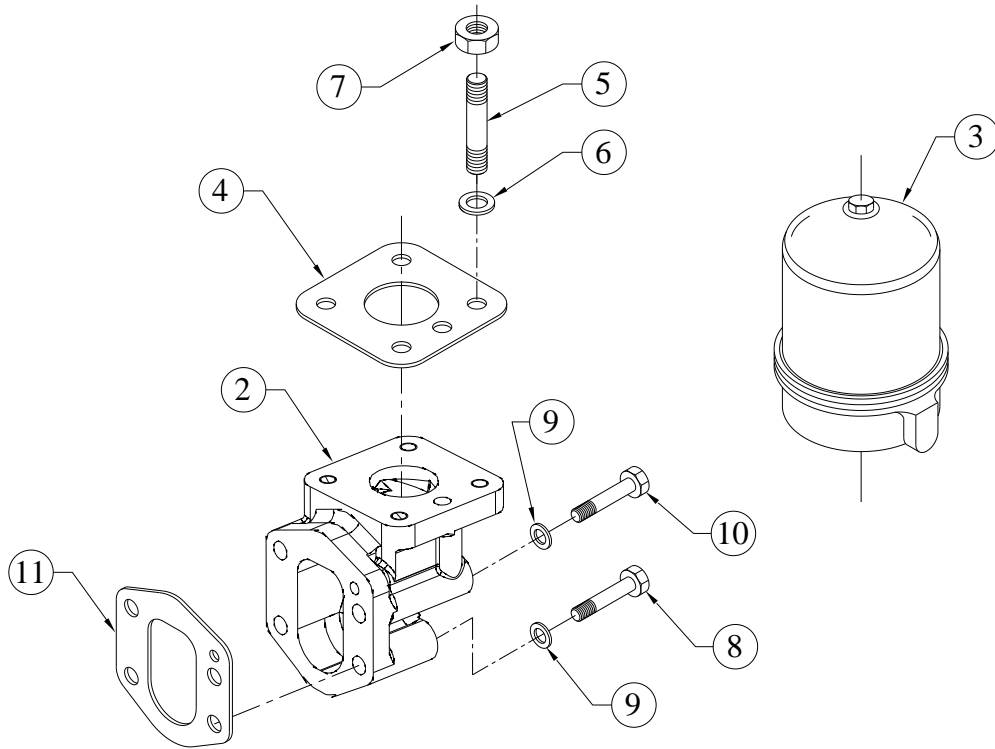
GROUP: - 6H.226



| SR.NO. | PART NO. | DESCRIPTION | QTY. | REMARKS |
|--------|----------------|--|------|-------------------------------|
| *1 | 6H.226.10.0.00 | CAMSHAFT,THRUST PLATE AND CAMGEAR SUB ASSEMBLY | 1 | CONSISTING OF SR.NO. - 2 TO 6 |
| 2 | 6H.226.01.0.00 | CAM SHAFT (FINISHED) | 1 | NOT SUPPLIED LOOSE |
| 3 | 6H.226.03.0.00 | THRUST PLATE | 1 | NOT SUPPLIED LOOSE |
| 4 | 6H.226.02.0.00 | CAM GEAR | 1 | NOT SUPPLIED LOOSE |
| 5 | 50.003.08.020. | SET SCREW - M8X1.25X20 - 8.8 | 2 | |
| 6 | 50.506.08.000. | PLAIN MACHINED WASHER - M8 | 2 | |
| | | | | |
| | | | | |
| | | | | |
| | | | | |
| | | | | |
| | | | | |
| | | | | |
| | | | | |
| | | | | |

TITLE :- CENTRIFUGE LUB OIL FILTER

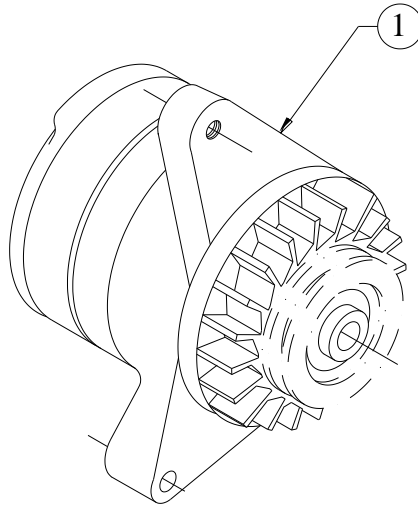
GROUP :- 6H.021



| SR.NO. | PART NO. | DESCRIPTION | QTY. | REMARKS |
|--------|----------------|--|------|------------------------------|
| *1 | 6H.021.40.0.00 | CENTRIFUGE FILTER AND ADAPTOR ASSEMBLY | 1 | CONSISTING OF SR. NO. 2 TO 7 |
| 2 | 6H.021.01.0.00 | ADAPTOR FOR CENTRIFUGAL LUB OIL FILTER | 1 | |
| 3 | F6.024.46.0.00 | CENTRIFUGE FILTER | 1 | |
| 4 | F6.024.75.0.00 | JOINT FOR GLACIER FILTER | 1 | |
| 5 | 50.010.08.025. | STUD - M8X1.25X025 - 8.8 | 4 | |
| 6 | 50.506.08.000. | PLAIN MACHINED WASHER - M8 | 4 | |
| 7 | 50.006.08.000. | NUT- M8X1.25 - GR.8.8 | 4 | |
| 8 | 50.002.08.055. | SET BOLT - M8X1.25X55 - 8.8 | 2 | |
| 9 | 50.506.08.000. | PLAIN MACHINED WASHER - M8 | 4 | |
| 10 | 50.002.08.105. | SET BOLT - M8X1.25X105 - 8.8 | 1 | |
| 11 | 6H.021.11.0.00 | JOINT FOR CENTRIFUGAL FILTER ADAPTOR | 1 | |
| | | | | |
| | | | | |
| | | | | |

TITLE: - CHARGING ALTERNATOR 12V

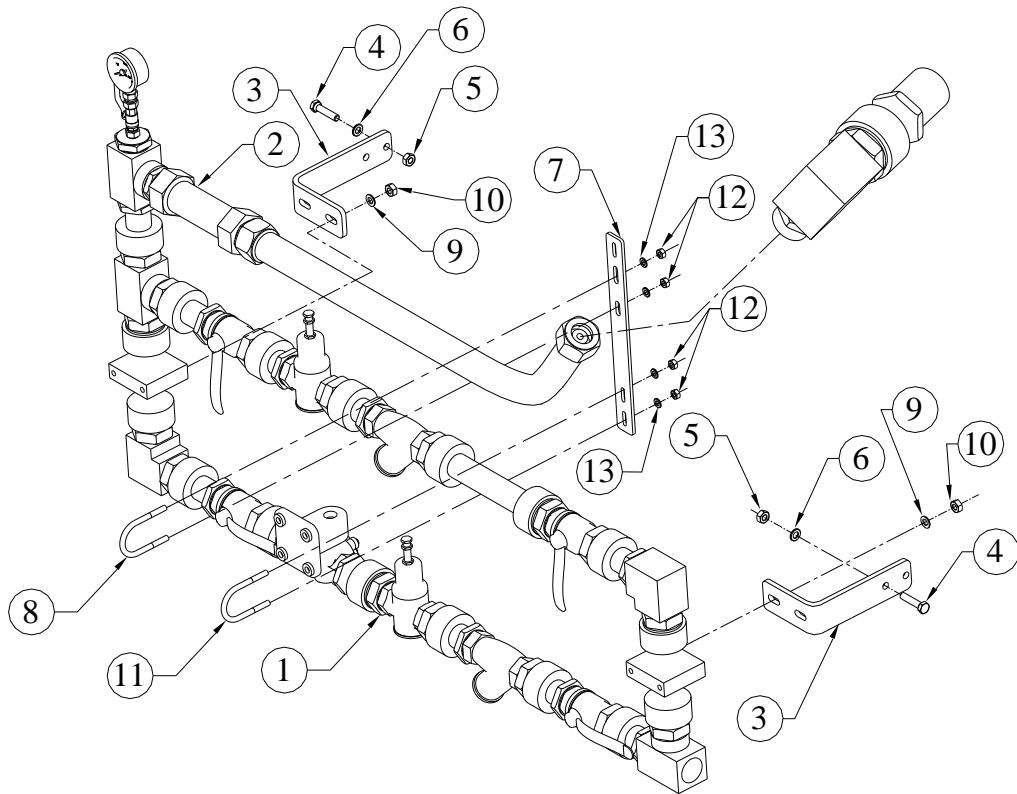
GROUP: - 3H.315



| SR.NO. | PART NO. | DESCRIPTION | QTY. | REMARKS |
|--------|----------------|--|------|---------|
| 1 | 3H.315.01.0.00 | ASSEMBLY CHARGING ALTERNATOR 12V, 35A, MICO MAKE K1 MODEL NO.F 002 G1B 342 120 DEGREE MOUNTING | 1 | |
| | | | | |
| | | | | |
| | | | | |
| | | | | |
| | | | | |
| | | | | |
| | | | | |
| | | | | |
| | | | | |
| | | | | |
| | | | | |
| | | | | |
| | | | | |
| | | | | |

TITLE : - COOLING LINE(1 1/4") WITH FLOW SWITCH FOR 6R1080TA ENGINE

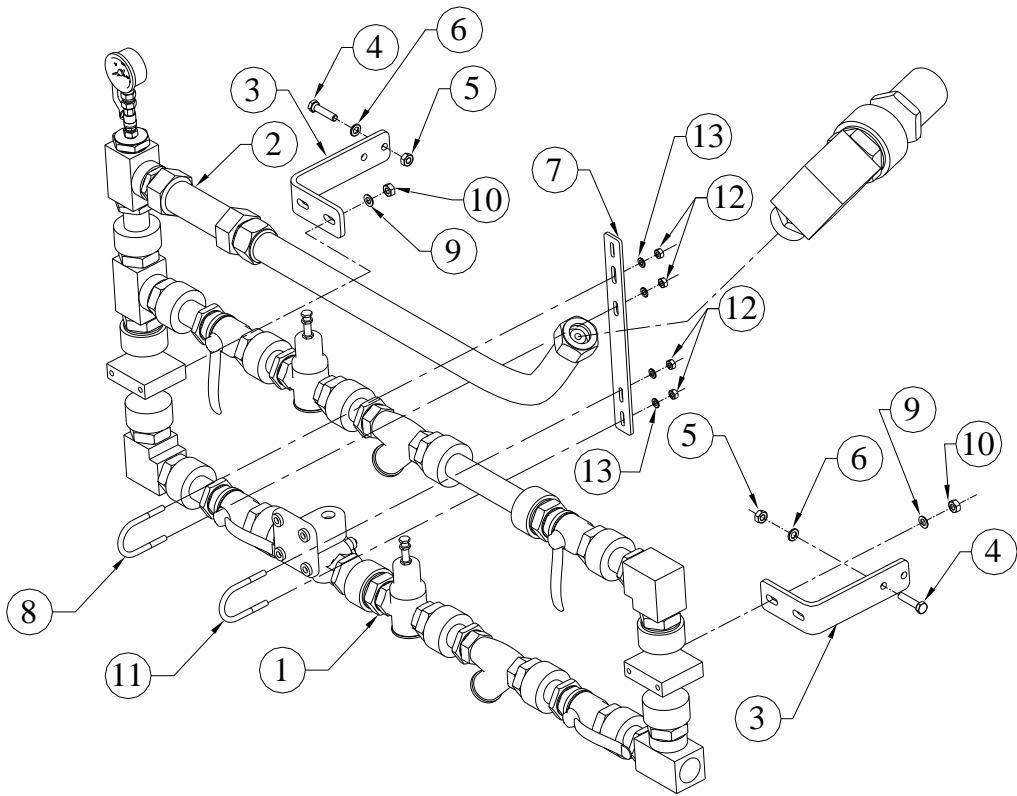
GROUP : - 6H.1156.1



| SR.NO. | PART NO. | DESCRIPTION | QTY. | REMARKS |
|--------|-----------------|--|------|---------|
| 1 | 6H.1156.30.0.PR | COOLING LINE(1 1/4", 12V) ASSLY FOR KFP6R-UF25(6R1080TA) ENGINES S/F FLOW SWITCH FOR FIRE FIGHTING APPLICATION | 1 | |
| 2 | 6H.902.23.0.PR | RAW WATER FLOW SENSOR WITH SWITCH FM/UL ENGINE 6R1080TA 12V | 1 | |
| 3 | 4H.1438.07.0.PR | BRACKET FOR COOLING LINE MTG.FOR 4R ENGINES | 2 | |
| 4 | 50.003.10.030 | SET SCREW - M10X1.5X30 - 8.8 | 4 | |
| 5 | 50.006.10.000 | NUT - M10X1.5 - GR.8 | 4 | |
| 6 | 50.506.10.000 | PLAIN MACHINED WASHER - M10 | 8 | |
| 7 | F6.1106.04.0.PR | BRACKET FOR COOLING LINE HOSE SUPPORT | 1 | |
| 8 | 03.299.07.0.PR | U CLAMP | 1 | |
| 9 | 50.506.06.000 | PLAIN MACHINED WASHER - M6 | 2 | |
| 10 | 50.006.06.000 | NUT - M6X1 - GR.8 | 2 | |
| 11 | 4H.956.41.0.00 | U CLAMP FOR STOP SOLENOID ASSEMBLY (BIOGAS) | 1 | |

TITLE : - COOLING LINE(1 1/4") WITH FLOW SWITCH FOR 6R1080TA ENGINE

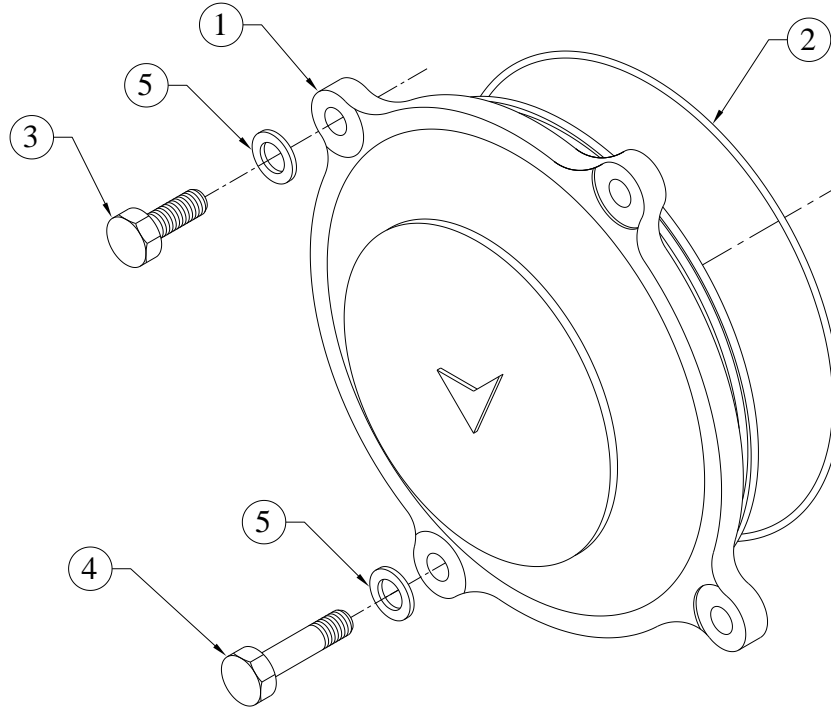
GROUP : - 6H.1156.1



| SR.NO. | PART NO. | DESCRIPTION | QTY. | REMARKS |
|--------|---------------|----------------------------|------|---------|
| 12 | 50.006.08.000 | NUT- M8X1.25 - GR.8 | 4 | |
| 13 | 50.506.08.000 | PLAIN MACHINED WASHER - M8 | 4 | |
| | | | | |
| | | | | |
| | | | | |
| | | | | |
| | | | | |
| | | | | |
| | | | | |
| | | | | |
| | | | | |
| | | | | |
| | | | | |
| | | | | |
| | | | | |
| | | | | |
| | | | | |
| | | | | |
| | | | | |
| | | | | |
| | | | | |
| | | | | |
| | | | | |
| | | | | |
| | | | | |
| | | | | |
| | | | | |

TITLE: - COVER FOR FUEL PUMP BORE

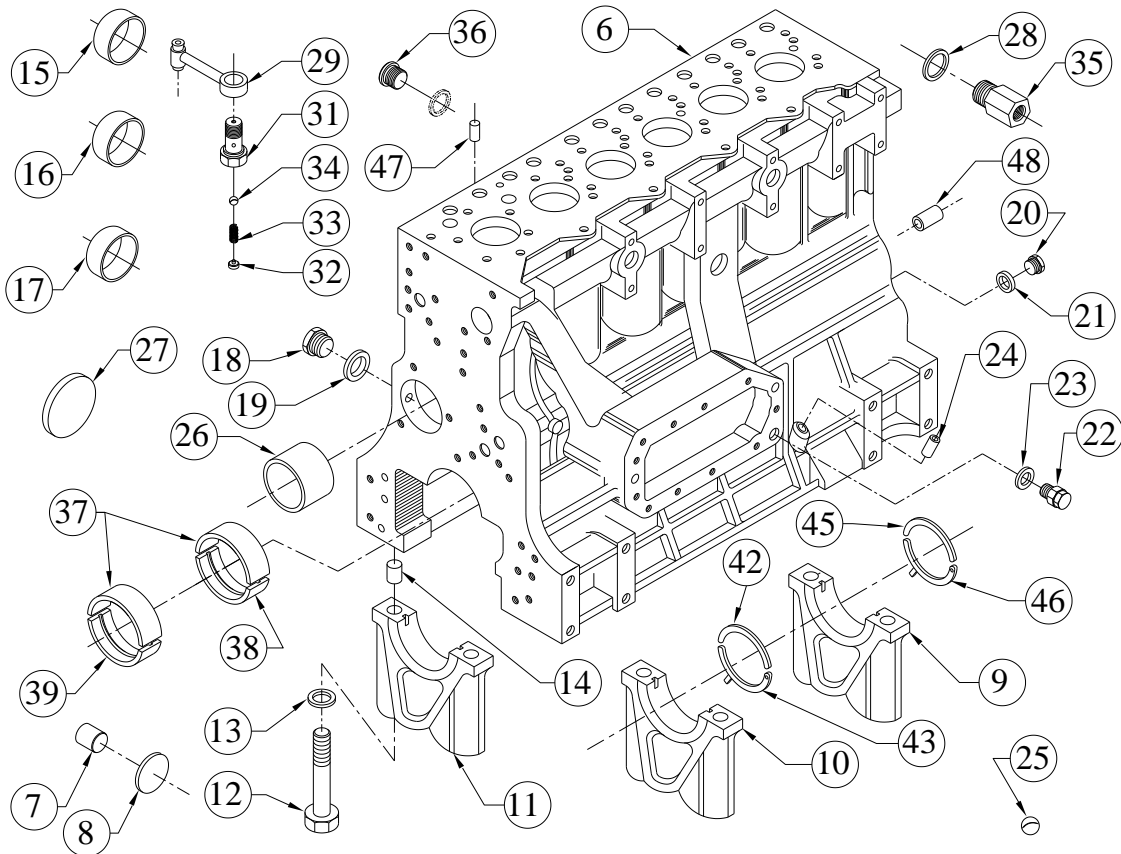
GROUP: - 4H.373



| SR.NO. | PART NO. | DESCRIPTION | QTY. | REMARKS |
|--------|----------------|------------------------------|------|---------|
| 1 | 4H.373.01.0.00 | COVER FOR FUEL PUMP BORE | 1 | |
| 2 | 4H.373.02.0.00 | ORING FOR FUEL PUMP COVER | 1 | |
| 3 | 50.003.08.020. | SET SCREW - M8X1.25X20 - 8.8 | 1 | |
| 4 | 50.002.08.035. | SET BOLT - M8X1.25X35 - 8.8 | 3 | |
| 5 | 50.506.08.000. | PLAIN MACHINED WASHER - M8 | 4 | |
| | | | | |
| | | | | |
| | | | | |
| | | | | |
| | | | | |
| | | | | |
| | | | | |
| | | | | |
| | | | | |
| | | | | |
| | | | | |
| | | | | |
| | | | | |

TITLE: - CRANK CASE SF P2 TYPE THRUST WASHER MTG.

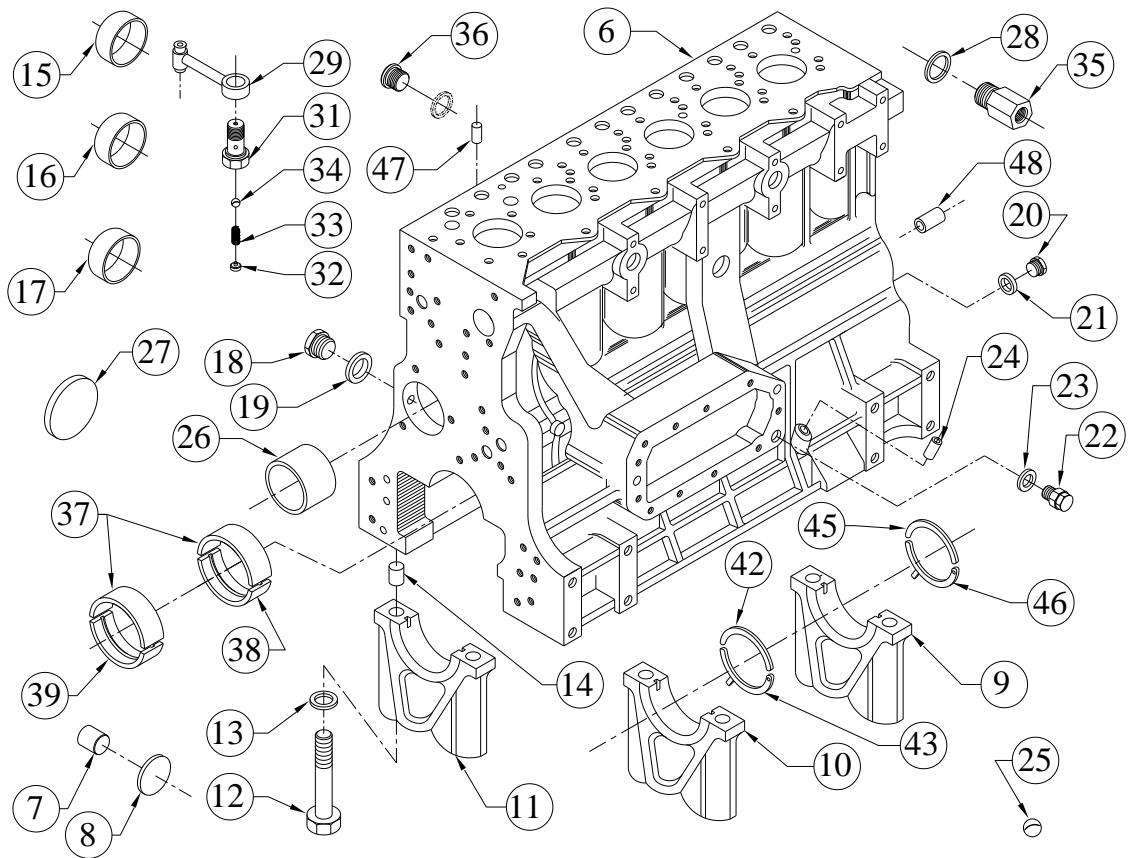
GROUP: - 6H.233



| SR.NO. | PART NO. | DESCRIPTION | QTY. | REMARKS |
|--------|----------------|---|------|--|
| *1 | 6H.233.10.0.00 | MONOBLOCK CRANK CASE WITHOUT BEARING | 1 | CONSISTING OF SR. NO.- 2, 26 TO 30,35,36 |
| *2 | 6H.233.20.0.00 | MONOBLOCK CRANK CASE & BEARING CAP ASSLY. | 1 | CONSISTING OF SR. NO.- 3 & 24 , 25 |
| *3 | 6H.233.30.0.00 | MONOBLOCK CRANK CASE WITH SEALING CAP | 1 | CONSISTING OF SR. NO.- 4, 18 TO 23 |
| *4 | 6H.233.40.0.00 | MONOBLOCK CRANK CASE SUB ASSLY. | 1 | CONSISTING OF SR. NO.- 5 & 7 TO 17 |
| *5 | 6H.233.01.0.00 | CRANK CASE SF P2 TYPE THRUST WASHER | 1 | CONSISTING OF SR. NO.- 6 |
| 6 | 6H.001.25.0.00 | MONOBLOCK CRANKCASE | 1 | NOT SUPPLIED LOOSE CONSISTING OF SR. NO. 7 TO 17 |
| | | | | |

**TITLE: - CRANK CASE SF P2 TYPE THRUST
WASHER MTG.**

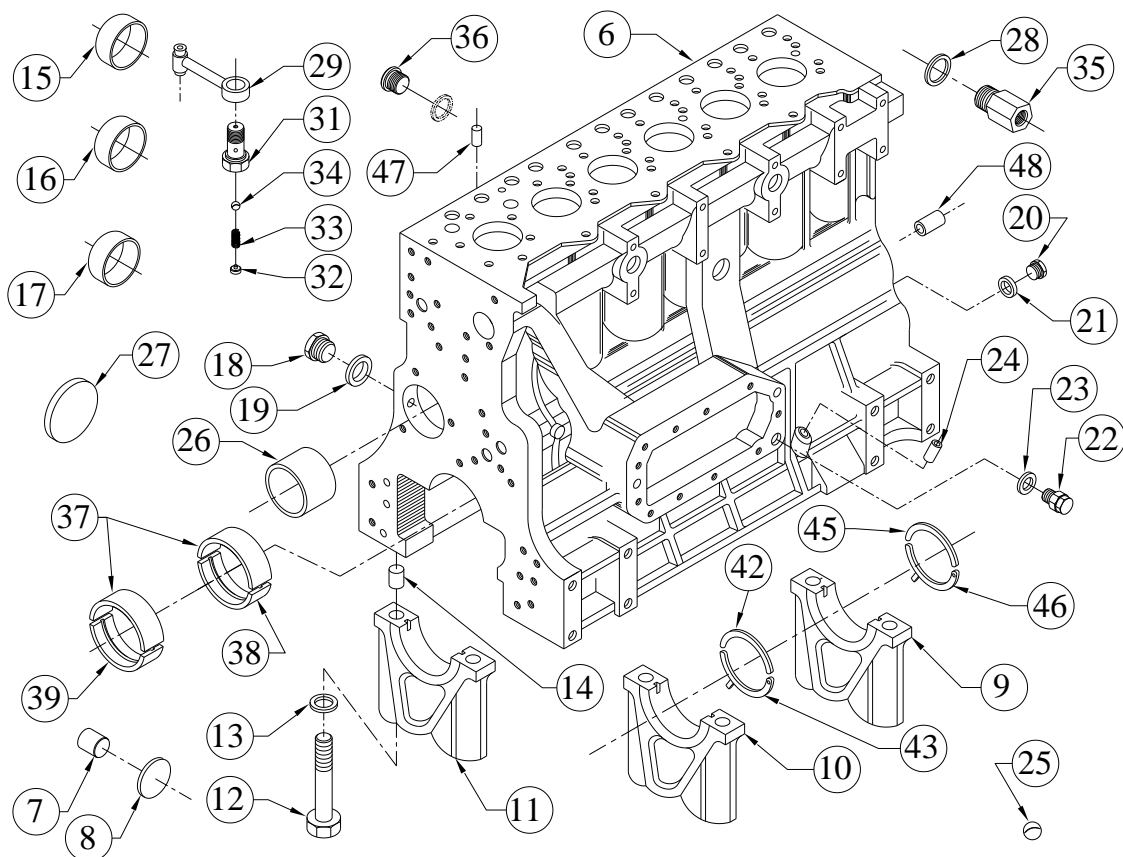
GROUP: - 6H.233



| SR.NO. | PART NO. | DESCRIPTION | QTY. | REMARKS |
|--------|----------------|-------------------------------------|------|--------------------|
| 7 | 34.003.07.0.00 | CRANK SHAFT PLUG - ALUMINIUM | 2 | |
| 8 | 34.003.08.0.00 | WASHER FOR ALU.PLUG. | 2 | |
| 9 | 6H.001.06.0.00 | MAIN BEARING CAP (FLYWHEEL END) | 1 | NOT SUPPLIED LOOSE |
| 10 | 6H.001.08.0.00 | MAIN BEARING CAP | 5 | NOT SUPPLIED LOOSE |
| 11 | 6H.001.07.0.00 | MAIN BEARING CAP (FINISH) G.E. | 1 | NOT SUPPLIED LOOSE |
| 12 | 03.001.22.0.00 | BOLT FOR MB CAP(HEX HEAD) M14X2X128 | 14 | |
| 13 | 02.001.04.0.00 | SPECIAL WASHER FOR M14 BOLT | 14 | |
| 14 | B2.005.16.0.00 | HOLLOW DOWEL(M.B.CAP) | 14 | |
| 15 | F6.007.34.0.00 | SEALING CAP | 4 | |
| 16 | F6.001.58.0.00 | SEALING CAP.(40 DIN 443) | 3 | |
| 17 | 4H.001.05.0.00 | SEALING CAP | 4 | |
| 18 | 50.610.12.000. | CORE PLUG | 1 | |
| 19 | 50.508.10.000. | COPPER WASHER (12X18) | 1 | |
| 20 | 04.001.08.0.00 | PRECOATED SCREW PLUG | 2 | |

**TITLE: - CRANK CASE SF P2 TYPE THRUST
WASHER MTG.**

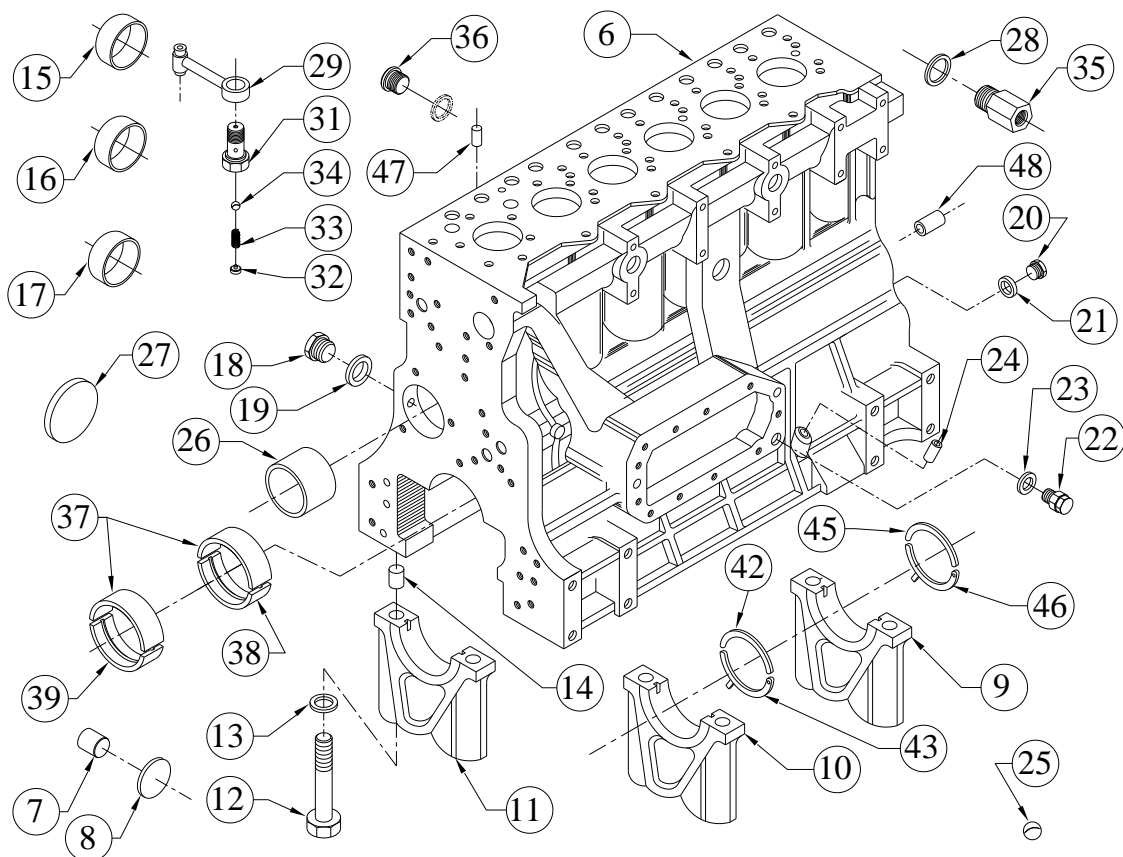
GROUP: - 6H.233



| SR.NO. | PART NO. | DESCRIPTION | QTY. | REMARKS |
|--------|----------------|--|------|--------------------------------|
| 21 | 50.508.18.000. | COPPER WASHER (20X24) | 2 | |
| 22 | 03.001.06.0.00 | SCREW PLUG | 2 | |
| 23 | 50.508.14.000. | COPPER WASHER (16X22) | 2 | |
| 24 | 02.037.04.0.00 | DIPSTICK GUIDE | 1 | |
| 25 | 02.002.04.0.00 | STEEL BALL | 1 | |
| 26 | 03.001.04.0.00 | CAM BUSH | 1 | |
| 27 | 02.001.13.0.00 | DISC PLUG | 1 | |
| 28 | 50.508.12.000. | COPPER WASHER (14X20) | 1 | |
| 29 | 6H.426.10.0.00 | PISTON COOLING NOZZLE ASSEMBLY (FOR 6K1080TA ENGINE) | 6 | |
| *30 | 4H.156.07.0.00 | SUB. ASSEMBLY OF SPECIAL BANJO BOLT(FOR OIL SPRAY NOZZLE.) | 6 | CONSISTING OF SR. NO. 31 TO 34 |
| 31 | 4H.156.05.0.00 | BANJO BOLT | 1 | NOT SUPPLIED LOOSE |
| 32 | 4H.156.06.0.00 | CLOSING BUTTON (FOR OIL SPRAY BANJO BOLT) | 1 | NOT SUPPLIED LOOSE |
| | | | | |

**TITLE: - CRANK CASE SF P2 TYPE THRUST
WASHER MTG.**

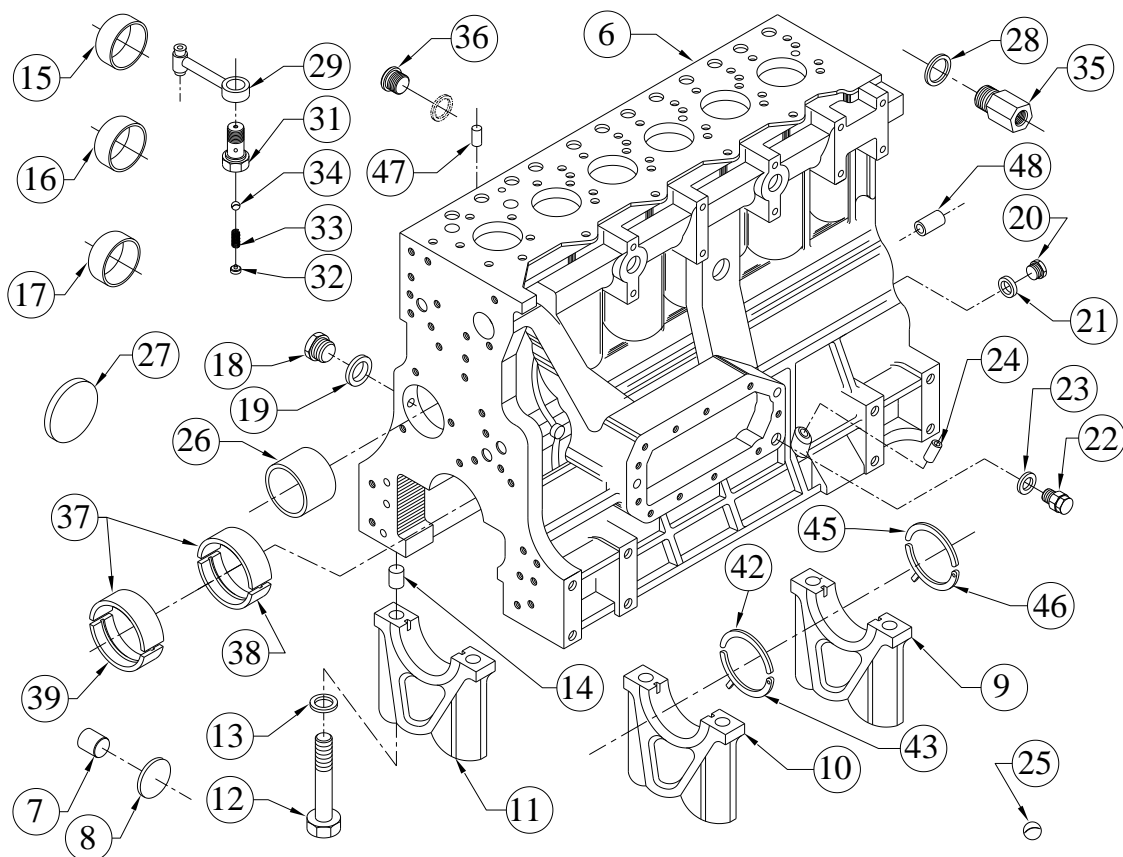
GROUP: - 6H.233



| SR.NO. | PART NO. | DESCRIPTION | QTY. | REMARKS |
|--------|----------------|---|------|-----------------------------------|
| 33 | 02.002.02.0.00 | SPRING | 1 | NOT SUPPLIED LOOSE |
| 34 | 02.002.04.0.00 | STEEL BALL | 1 | NOT SUPPLIED LOOSE |
| 35 | 6H.001.21.0.00 | ADAPTER FOR LUB OIL TEMP. SWITCH | 1 | |
| 36 | 50.610.14.000. | CORE PLUG-HEXAGONAL SOCKET HEAD(DIN-908) | 5 | |
| 37 | 6H.001.18.0.00 | MAIN BEARING (TOP) | 7 | NOT SUPPLIED LOOSE |
| 38 | 6H.001.19.0.00 | MAIN BEARING (BOTTOM) | 6 | NOT SUPPLIED LOOSE |
| 39 | 6H.001.02.0.00 | MAIN BEARING (BOTTOM- GEAR END) | 1 | NOT SUPPLIED LOOSE |
| *40 | 6H.001.05.0.00 | THRUST WASHER SET OF INNER & OUTER PAIRS | 1 | CONSISTING OF SR. NO. 41 |
| *41 | 6H.001.03.0.00 | THRUST WASHER PAIR(INNER) | 1 | CONSISTING OF SR. NO. 42,43 |
| | | | | |

TITLE: - CRANK CASE SF P2 TYPE THRUST WASHER MTG.

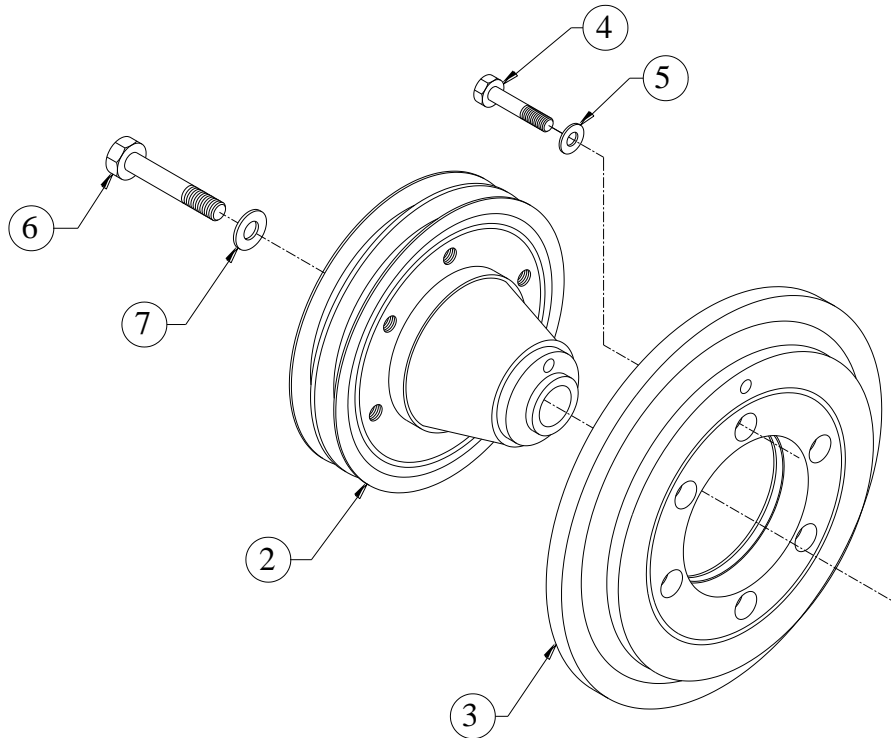
GROUP: - 6H.233



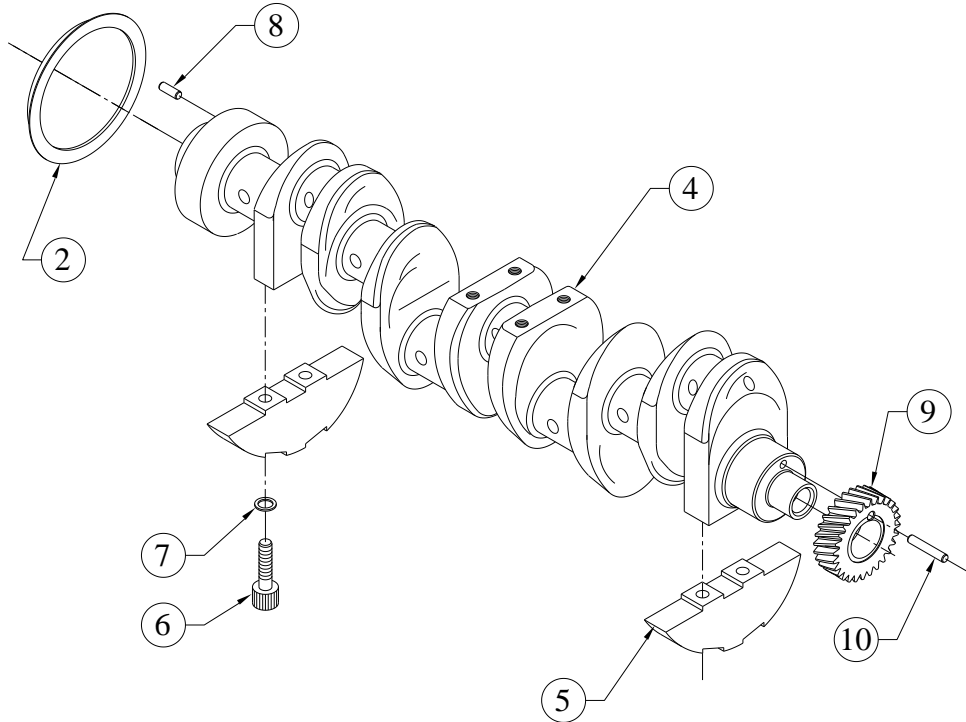
| SR.NO. | PART NO. | DESCRIPTION | QTY. | REMARKS |
|--------|----------------|-----------------------------------|------|-----------------------------|
| 42 | 6H.001.09.0.00 | THRUST WASHER (INNER) TOP SIDE | 1 | |
| 43 | 6H.001.11.0.00 | THRUST WASHER (INNER) BOTTOM SIDE | 1 | |
| *44 | 6H.001.04.0.00 | THRUST WASHER PAIR (OUTER) | 1 | CONSISTING OF SR. NO. 45,46 |
| 45 | 6H.001.12.0.00 | THRUST WASHER(OUTER) TOP SIDE | 1 | |
| 46 | 6H.001.13.0.00 | THRUST WASHER(OUTER) BOTTOM SIDE | 1 | |
| 47 | 50.401.08.014. | DOWEL | 2 | |
| 48 | 50.540.09.016. | SPRING DOWEL PIN | 2 | |
| | | | | |
| | | | | |
| | | | | |
| | | | | |
| | | | | |

**TITLE:- CRANK PULLEY 2GR,SPA,WITH
VISCUSS DAMPER W/O EXT PULLEY**

GROUP:- 6H.338



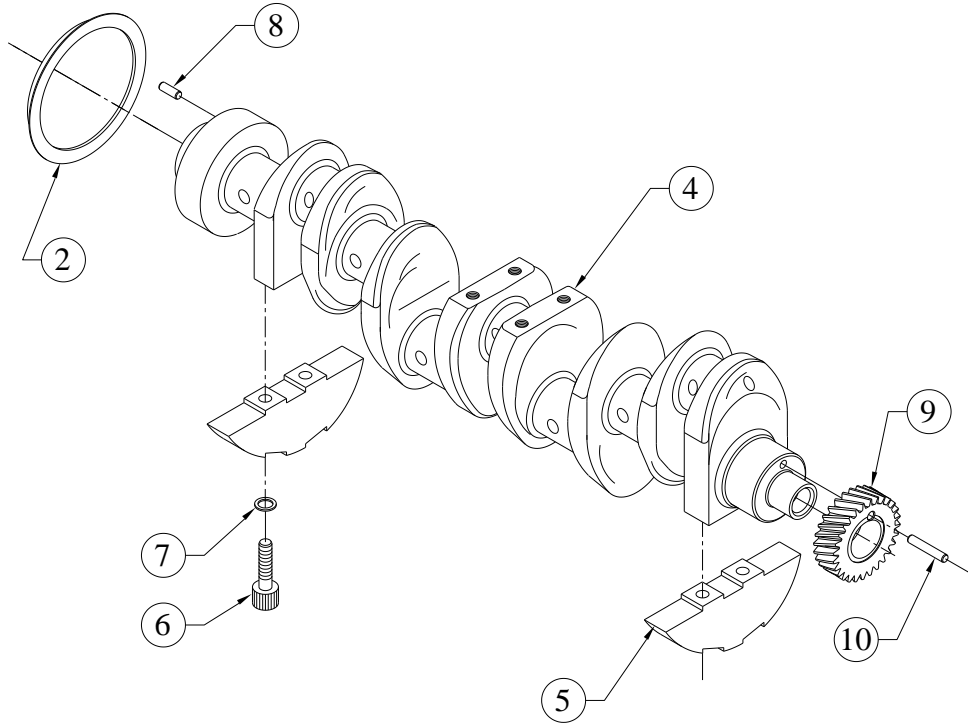
| SR.NO. | PART NO. | DESCRIPTION | QTY. | REMARKS |
|--------|----------------|---|------|------------------------------|
| *1 | 6H.228.10.0.00 | ASSLY. OF CRANK PULLEY & DAMPER | 1 | CONSISTING OF SR. NO. 2 TO 5 |
| 2 | 6H.228.01.0.00 | CRANK PULLEY SF VISCOUS DAMPER SPA 2 GROOVE 172 PCD | 1 | |
| 3 | 6H.186.01.0.00 | DAMPER FOR URAL 375D 6R1040 | 1 | |
| 4 | 50.002.12.030. | SET BOLT - M12X1.75X30 - 8.8 | 6 | |
| 5 | 02.005.04.0.00 | WASHER | 6 | |
| 6 | 03.016.02.0.00 | CRANK PULLY BOLT-UPDATED | 1 | |
| 7 | 03.016.03.0.00 | WASHER (FOR CRANK PULLY BOLT) - UPDATED | 1 | |
| | | | | |
| | | | | |
| | | | | |
| | | | | |
| | | | | |
| | | | | |
| | | | | |
| | | | | |

TITLE: - CRANK SHAFT (FMUL)**GROUP: - 6H.002.2**

| SR.NO. | PART NO. | DESCRIPTION | QTY. | REMARKS |
|--------|----------------|---|------|--|
| *1 | 6H.002.20.0.00 | CRANK SHAFT ASSLY WITH BALANCE WEIGHT & GEAR | 1 | CONSISTING OF SR. NO. 2, 3 & 9, 10 |
| 2 | P2.020.09.0.00 | DEFLECTOR FOR OIL SEAL | 1 | NOT SUPPLIED LOOSE |
| *3 | 6H.002.10.0.00 | CRANKSHAFT ASSLY (WITH BALANCE WEIGHT) | 1 | CONSISTING OF SR. NO. 4 TO 8 NOT SUPPLIED LOOSE |
| 4 | 6H.002.02.0.00 | CRANKSHAFT (SINGLE OIL HOLE) | 1 | NOT SUPPLIED LOOSE |
| 5 | 04.005.11.0.00 | BALANCE WEIGHT | 6 | NOT SUPPLIED LOOSE |
| 6 | 04.005.12.0.00 | SOCKET HEAD BOLT - M12X1.75X60 -10.9 | 12 | |
| 7 | 02.005.04.0.00 | HARD WASHER (13 I.D X 21O.D X 1.5 TH) | 12 | |
| 8 | 50.401.08.025. | DOWEL PIN 8X25 | 1 | |
| 9 | 4H.002.01.0.00 | CRANK SHAFT GEAR (FINISH/) | 1 | NOT SUPPLIED LOOSE |

TITLE: - CRANK SHAFT (FMUL)

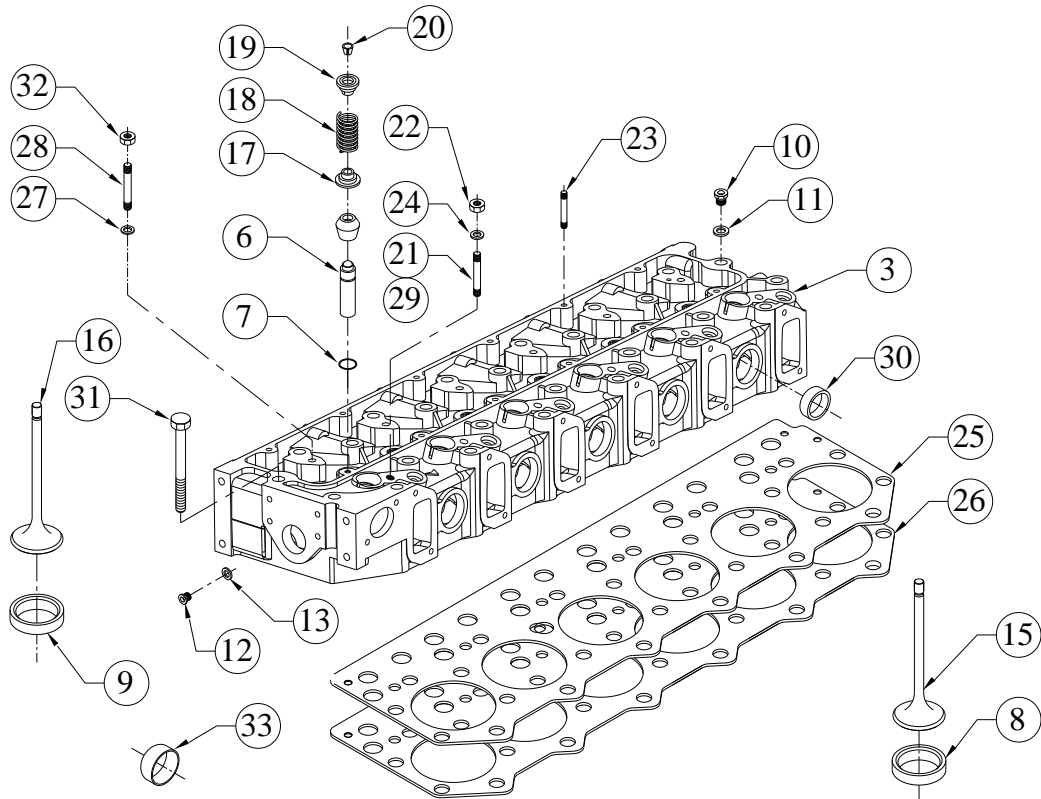
GROUP: - 6H.002.2



| SR.NO. | PART NO. | DESCRIPTION | QTY. | REMARKS |
|---------------|-----------------|--------------------|-------------|----------------|
| 10 | 50.401.08.065. | DOWEL PIN 8X65 | 1 | |
| | | | | |
| | | | | |
| | | | | |
| | | | | |
| | | | | |
| | | | | |
| | | | | |
| | | | | |
| | | | | |
| | | | | |
| | | | | |
| | | | | |
| | | | | |
| | | | | |

TITLE: - CYLINDER HEAD (P-TYPE)

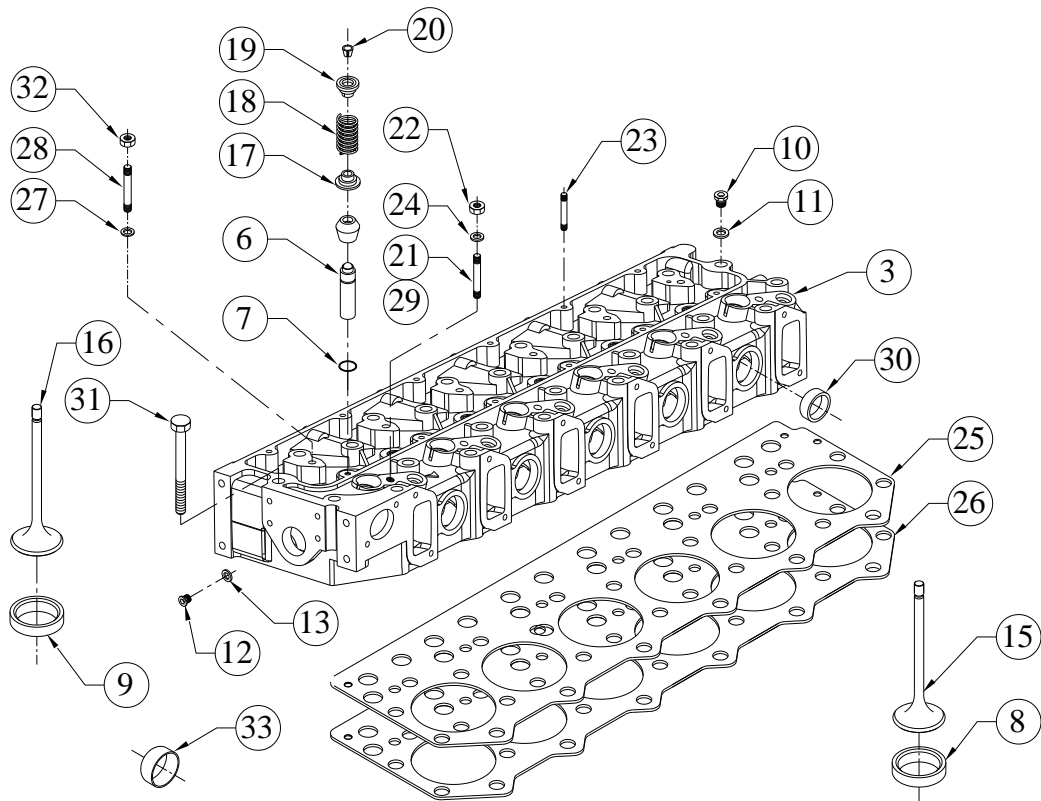
GROUP: - 6H.147



| SR.NO. | PART NO. | DESCRIPTION | QTY. | REMARKS |
|--------|-----------------|---|------|---------------------------------------|
| *1 | 6H.147.20.0.00 | CYL. HEAD ASSEMBLY (P TYPE) | 1 | CONSISTING OF SR. NO. 2 & 15 TO 26 |
| *2 | 6H.147.30.0.00 | CYL. HEAD WITH VALVE GUIDE AND INSERTS (P TYPE) | 1 | CONSISTING OF SR. NO. 3, 4 & 8 TO 13, |
| 3 | 6H.147.01.0.00 | CYLINDER HEAD FOR 6R1080 ENGINE (FOR STAGE III) | 1 | NOT SUPPLIED LOOSE |
| *4 | 4H.007.39.0.00 | ASSEMBLY OF SEMIFINISH VALVE GUIDE & WIRE SNAP RING | 12 | CONSISTING OF SR. NO.5 |
| *5 | 4H.007.38.0.00 | ASSEMBLY OF SEMIFINISH VALVE GUIDE & SNAP RING | 1 | CONSISTING OF SR. NO.6, 7 |
| 6 | 4H.007.02.9.00 | VALVE GUIDE (SEMI-FINISH) | 1 | |
| 7 | 02.022.18.0.00 | WIRE SNAP RING | 1 | |
| 8 | 4H.1432.02.9.00 | VALVE SEAT INSERT (INLET) SEMIFINISH | 6 | |
| 9 | 4H.1432.03.9.00 | VALVE SEAT INSERT (EXHAUST) SEMI-FINISH | 6 | |
| 10 | 50.610.16.000. | CORE PLUG-HEXAGONAL SOCKET HEAD(DIN-908) | 1 | |

TITLE: - CYLINDER HEAD (P-TYPE)

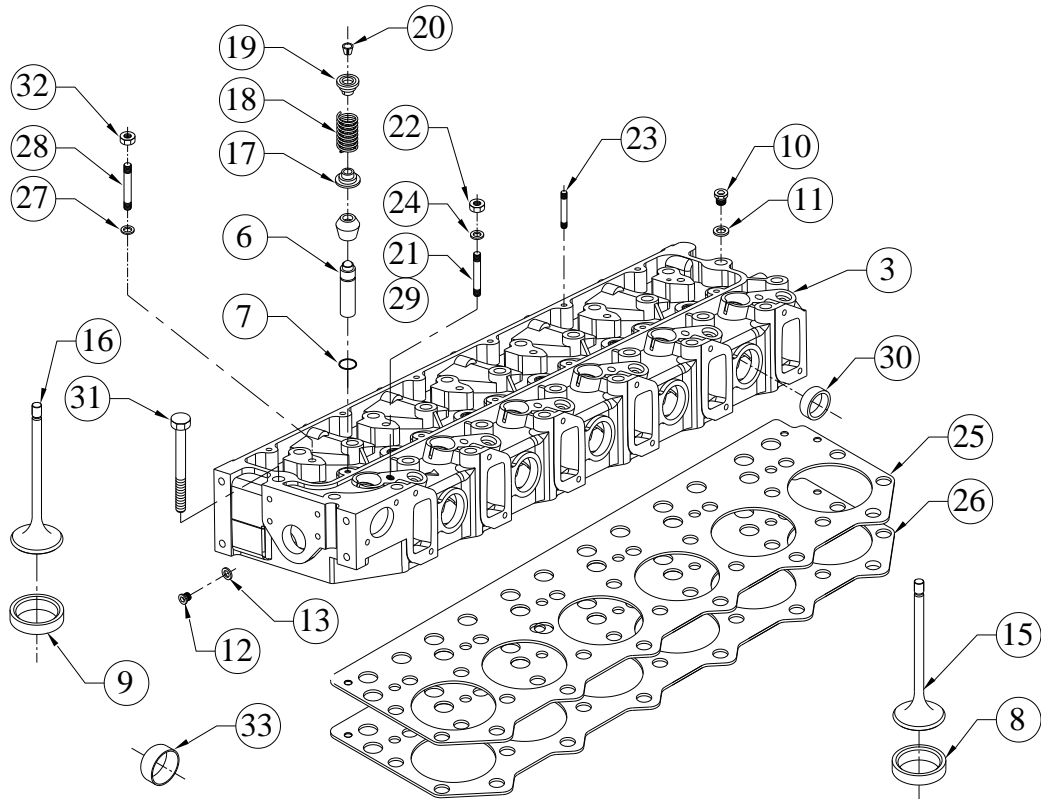
GROUP: - 6H.147



| SR.NO. | PART NO. | DESCRIPTION | QTY. | REMARKS |
|--------|-----------------|--|------|------------------------------|
| 11 | 50.508.16.000. | COPPER WASHER (18X22) | 1 | |
| 12 | 50.610.24.000. | CORE PLUG | 5 | |
| 13 | 50.508.29.000. | COPPER WASHER (26X32) | 5 | |
| *14 | 4H.1432.41.0.00 | INLET & EXHAUST VALVE PAIR | 1 | CONSISTING OF SR. NO. 15, 16 |
| 15 | 4H.1432.04.0.00 | INLET VALVE | 6 | |
| 16 | 4H.1432.05.0.00 | EXHAUST VALVE | 6 | |
| 17 | 34.013.13.0.00 | CUP FOR VALVE SPRING. | 12 | |
| 18 | 02.022.13.0.00 | VALVE SPRING | 12 | |
| 19 | 02.022.11.0.00 | VALVE CUP | 12 | |
| 20 | 02.022.28.0.00 | VALVE COLLET(3-GROOVE) | 12 | |
| 21 | 50.010.10.050. | STUD - M10X1.5X50 - 8.8 | 6 | |
| 22 | 50.006.10.000. | NUT - M10X1.5 - GR.8.8 | 12 | |
| 23 | 50.010.10.075. | STUD - M10X1.5X75 - 8.8 | 6 | |
| 24 | 02.022.06.0.00 | WASHER | 6 | |
| 25 | 6H.007.06.0.00 | GASKET (FOR CYL.HEAD)- 1.22 MM THK. | 1 | |
| | | | | |

TITLE: - CYLINDER HEAD (P-TYPE)

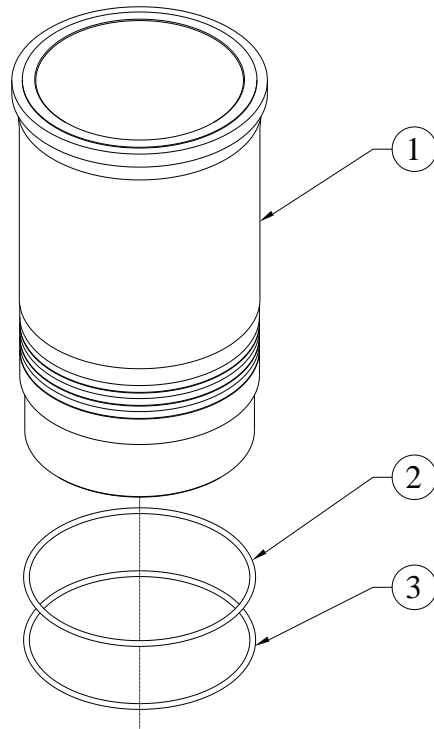
GROUP: - 6H.147



| SR.NO. | PART NO. | DESCRIPTION | QTY. | REMARKS |
|--------|----------------|---|------|---------|
| 26 | 6H.007.07.0.00 | GASKET (FOR CYL.HEAD)- 1.1 MM THK. | 1 | |
| 27 | 50.506.10.000. | PLAIN MACHINED WASHER - M10 | 12 | |
| 28 | 50.010.10.070. | STUD - M10X1.5X70 - 8.8 | 6 | |
| 29 | 50.010.10.050. | STUD - M10X1.5X50 - 8.8 | 6 | |
| 30 | F6.001.58.0.00 | SEALING CAP.(40 DIN 443) | 5 | |
| 31 | 4H.007.07.0.00 | BOLT FOR CYLINDER HEAD. | 26 | |
| 32 | 50.006.10.000. | NUT - M10X1.5 - GR.8.8 | 12 | |
| 33 | 4H.007.37.0.00 | PLASTIC CAP FOR VALVE GUIDE PROTECTION | 12 | |
| | | | | |
| | | | | |
| | | | | |
| | | | | |
| | | | | |
| | | | | |
| | | | | |
| | | | | |

TITLE: -CYLINDER LINER. (105 DIA)

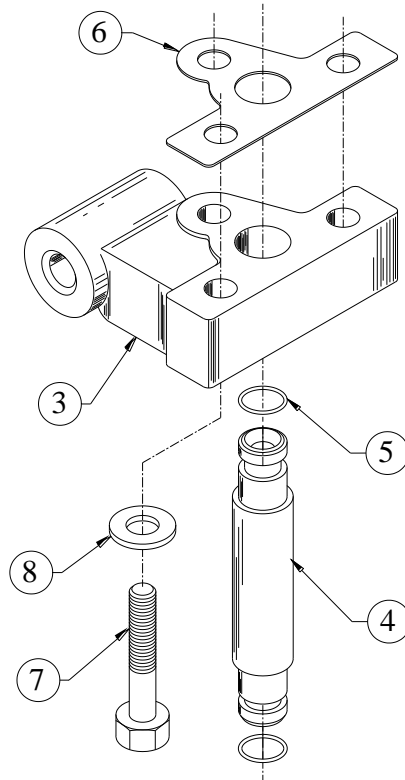
GROUP: - 2H.008



| SR.NO. | PART NO. | DESCRIPTION | QTY. | REMARKS |
|--------|----------------|--|------|---------|
| 1 | 2H.008.01.0.00 | CYLINDER LINER (105mm DIA.)A-GROUP | 1 | |
| 2 | 2H.008.07.0.00 | O RING (FOR CYL.LINER) | 2 | |
| 3 | 2H.008.11.0.00 | O RING FOR CYLINDER LINER (VITON MATERIAL) | 1 | |
| | | | | |
| | | | | |
| | | | | |
| | | | | |
| | | | | |
| | | | | |
| | | | | |
| | | | | |
| | | | | |
| | | | | |
| | | | | |
| | | | | |
| | | | | |
| | | | | |
| | | | | |

TITLE:- DELIVERY BODY

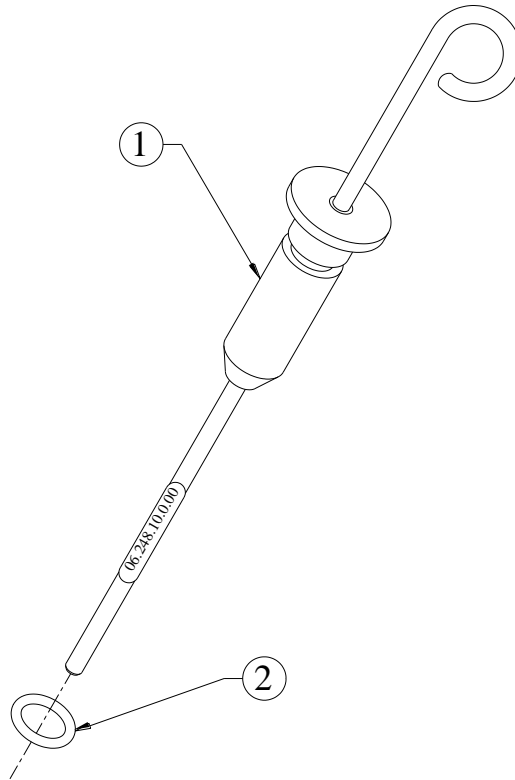
GROUP:- 2H.013...EXP



| SR.NO. | PART NO. | DESCRIPTION | QTY. | REMARKS |
|--------|----------------|--|------|------------------------------|
| *1 | 2H.013.20.0.00 | DELIVERY BODY AND JOINT (NON ASBESTOS) | 1 | CONSISTING OF SR. NO. 2 & 6 |
| *2 | 2H.013.10.0.00 | DELIVERY BODY ASSEMBLY | 1 | CONSISTING OF SR. NO. 3 TO 5 |
| 3 | 2H.013.01.0.00 | DELIVERY BODY (FINISH) | 1 | |
| 4 | 2H.014.01.0.00 | DELIVERY TUBE | 1 | |
| 5 | 2H.014.02.0.00 | O RING(FOR DELIVERY TUBE) | 2 | |
| 6 | 2H.013.11.0.00 | JOINT FOR DELIVERY BODY | 1 | |
| 7 | 50.002.08.045. | SET BOLT - M8X1.25X45 - 8.8 | 3 | |
| 8 | 50.506.08.000. | PLAIN MACHINED WASHER - M8 | 3 | |
| | | | | |
| | | | | |
| | | | | |
| | | | | |
| | | | | |
| | | | | |
| | | | | |

TITLE: - DIP STICK (20DEG INCL SHORT)

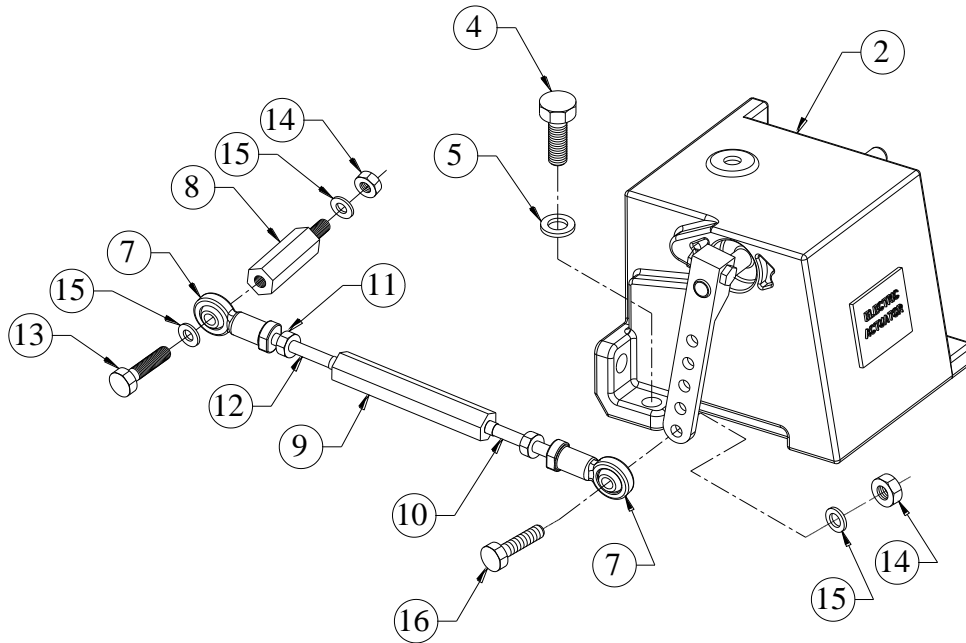
GROUP: - 06.248



| SR.NO. | PART NO. | DESCRIPTION | QTY. | REMARKS |
|---------------|-----------------|--|-------------|----------------|
| 1 | 06.248.10.0.00 | DIPSTICK ASSLY | 1 | |
| 2 | 03.036.01.0.00 | O RING - DIPSTICK (2X5, 21515 OR 21511) | 1 | |
| | | | | |
| | | | | |
| | | | | |
| | | | | |
| | | | | |
| | | | | |
| | | | | |
| | | | | |
| | | | | |
| | | | | |
| | | | | |
| | | | | |
| | | | | |
| | | | | |
| | | | | |

TITLE: - ELECTRONIC GOVERNOR SET (ACTUATOR-ADC225 D1S-12V & CARD-ESD 5119) & LINKAGE ASSLY. FOR F.F. APPLN.

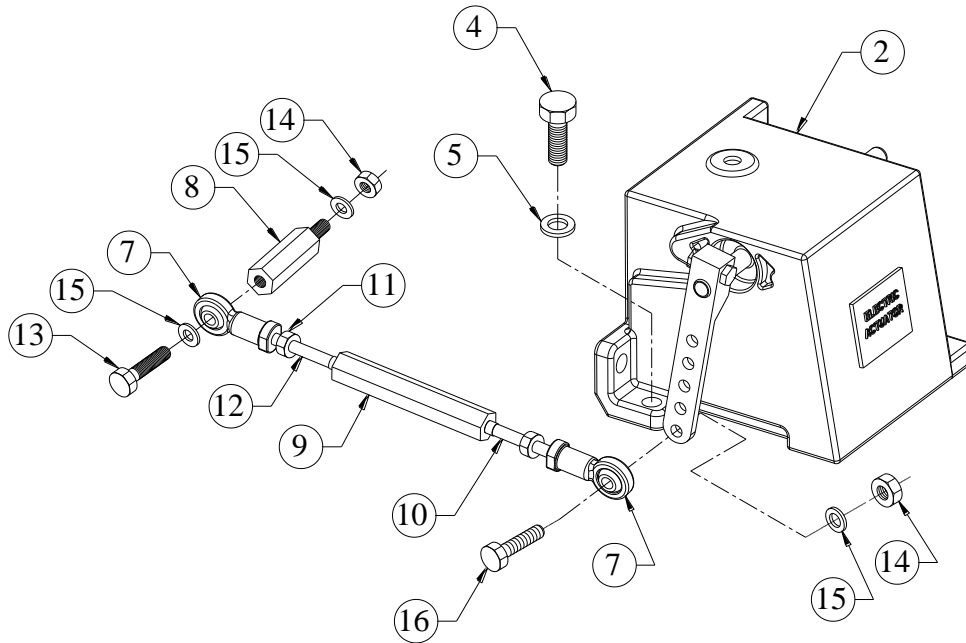
GROUP: - 4H.1475.2



| SR.NO. | PART NO. | DESCRIPTION | QTY. | REMARKS |
|--------|-----------------|--|------|-------------------------------|
| *1 | 4H.1475.10.0.00 | ELECTRONIC GOVERNOR SET(ACTUATOR-ADC225 D1S-12V & CARD-ESD 5119) FOR F.F. APPLN. | 1 | CONSISTING OF SR. NO. 2 TO 5 |
| 2 | 4H.1475.03.0.00 | ACTUATOR(ADC225 D1S-12V) FOR FIRE FIGHTING APPLN. | 1 | |
| *3 | 4H.1475.04.0.00 | GOVERNOR CARD(ESD 5160) FOR FIRE FIGHTING APPLN. | 1 | NOT ILLUSTRATED |
| 4 | 50.003.08.025. | SET SCREW - M8X1.25X25 - 8.8 | 2 | |
| 5 | 50.506.08.000. | PLAIN MACHINED WASHER - M8 | 2 | |
| *6 | F6.483.20.0.00 | LINKAGE ASSLY FOR ELECTRONIC GOVERNOR | 1 | CONSISTING OF SR. NO. 7 TO 15 |
| 7 | 29.224.28.0.00 | R.E.BEARING M6 RH THREADS | 2 | |
| 8 | 4H.1475.06.0.00 | ADAPTOR (M6 X 1) | 1 | |
| 9 | F6.483.04.0.00 | SPACER FOR LINK (M6 X1 LH - M6X1 RH) | 1 | |
| 10 | 4H.1475.07.0.00 | LINK(M6X1 LH - M6X1 RH) | 1 | |

TITLE: - ELECTRONIC GOVERNOR SET (ACTUATOR-ADC225 D1S-12V & CARD-ESD 5119) & LINKAGE ASSLY. FOR F.F. APPLN.

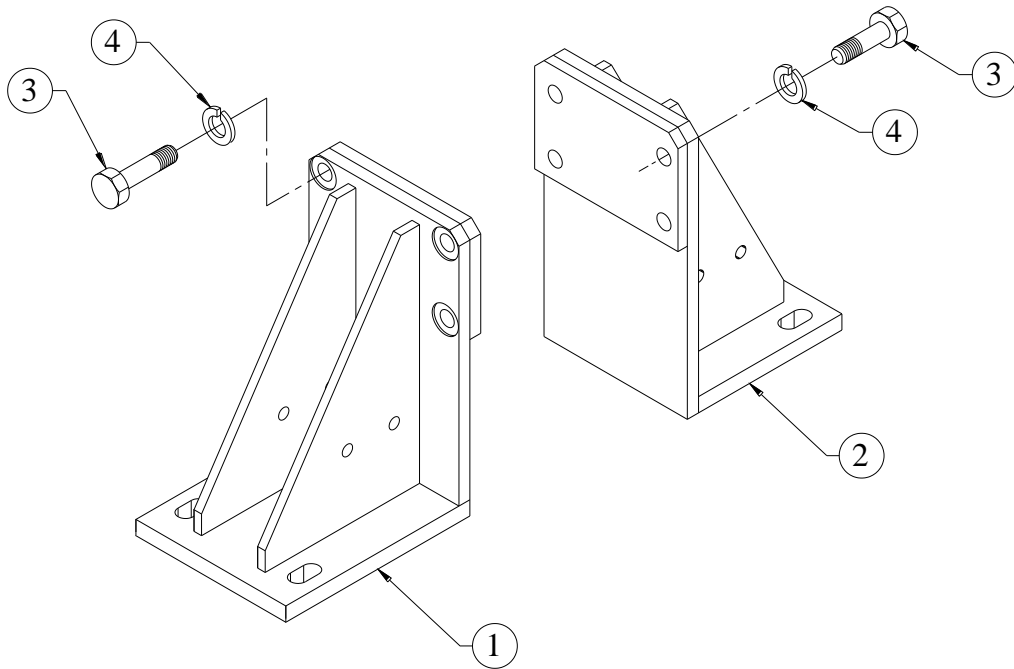
GROUP: - 4H.1475.2



| SR.NO. | PART NO. | DESCRIPTION | QTY. | REMARKS |
|--------|----------------|---|------|-----------------|
| 11 | 4H.472.03.0.00 | NUT M6 X 1 LH THREADS | 1 | |
| 12 | F6.483.05.0.00 | LINK (M6X1) | 1 | |
| 13 | 50.003.06.020. | SET SCREW - M6X1X20 - 8.8 | 1 | |
| 14 | 50.006.06.000. | NUT - M6X1 - GR.8.8 | 6 | |
| 15 | 50.506.06.000. | PLAIN MACHINED WASHER - M6 | 7 | |
| 16 | 50.003.06.050 | SET SCREW - M6X1X50 - 8.8 | 1 | |
| 17 | 4H.450.06.0.00 | SPACER FOR BATTERY CLAMPING (I.D. 7 & O.D. 12 & LENGTH 20 FOR SHANTI PROJ.) | 1 | NOT ILLUSTRATED |
| | | | | |
| | | | | |
| | | | | |
| | | | | |
| | | | | |
| | | | | |
| | | | | |

TITLE: - ENGINE MOUNTING FOOT

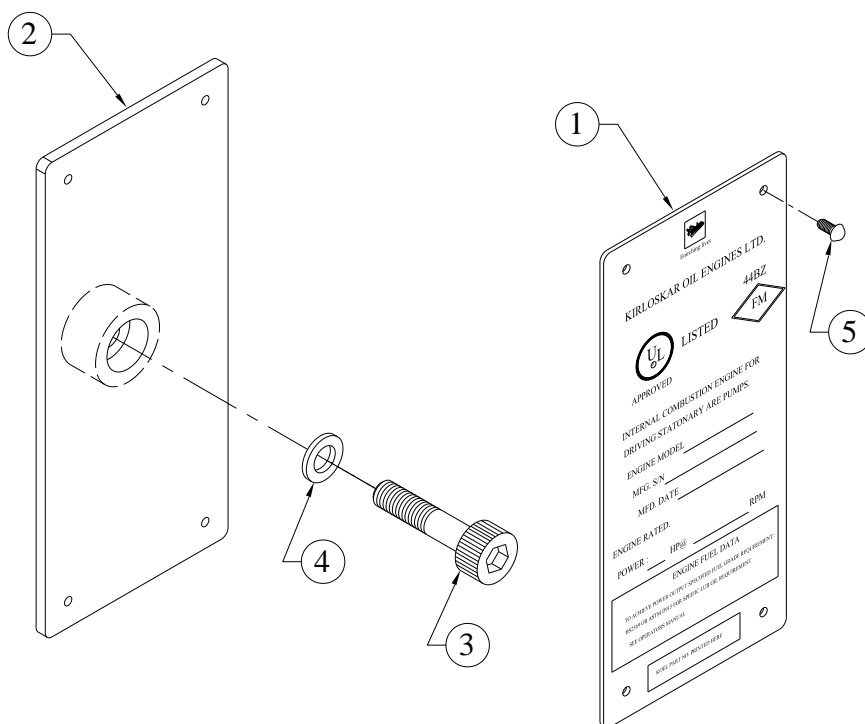
GROUP: - 6H.033.2



| SR.NO. | PART NO. | DESCRIPTION | QTY. | REMARKS |
|--------|----------------|---|------|---------|
| 1 | 6H.033.03.0.00 | ENGINE MOUNTING FOOT (G.E.) FOR F.F. APPLICATION | 2 | |
| 2 | 6H.033.04.0.00 | ENGINE MOUNTING FOOT (F.W.E.) FOR F.F. APPLICATION | 2 | |
| 3 | 50.002.14.045. | SET BOLT - M14X2X45 - 8.8 | 16 | |
| 4 | 50.505.14.000. | SPRING WASHER - M14 | 16 | |
| | | | | |
| | | | | |
| | | | | |
| | | | | |
| | | | | |
| | | | | |
| | | | | |
| | | | | |
| | | | | |
| | | | | |
| | | | | |
| | | | | |

TITLE: - ENGINE NAME PLATE WITH FUEL DATA

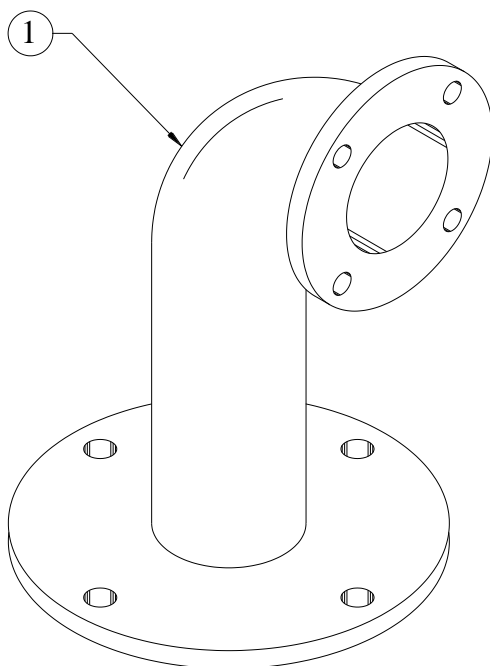
GROUP: - 4H.1440



| SR.NO. | PART NO. | DESCRIPTION | QTY. | REMARKS |
|--------|-----------------|--|------|---------|
| 1 | 4H.1440.01.0.00 | NAME PLATE FOR ENGINE WITH FUEL DATA (FM/UL) | 1 | |
| 2 | 4H.1440.02.0.00 | BRACKET FOR NAME PLATE | 1 | |
| 3 | 50.076.10.020. | ALLEN SCREW | 1 | |
| 4 | 50.506.08.000. | PLAIN MACHINED WASHER - M8 | 1 | |
| 5 | 10.046.02.0.00 | P K DRIVE SCREW 1/8"X3/8" (RIVET) | 4 | |
| | | | | |
| | | | | |
| | | | | |
| | | | | |
| | | | | |
| | | | | |
| | | | | |
| | | | | |
| | | | | |
| | | | | |
| | | | | |
| | | | | |
| | | | | |
| | | | | |
| | | | | |

TITLE: - EXHAUST GAS OUTLET
(S/F K27 TURBO)

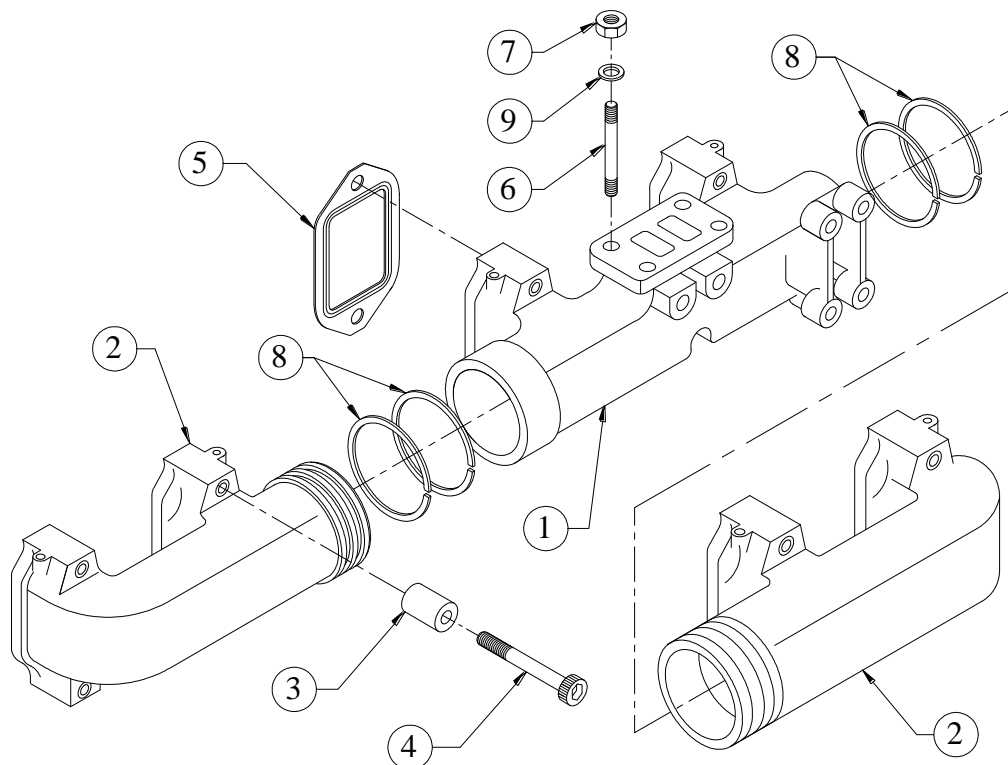
GROUP: - 6H.1149



| SR.NO. | PART NO. | DESCRIPTION | QTY. | REMARKS |
|--------|-----------------|------------------------------|------|---------|
| 1 | 6H.1149.02.0.00 | EXHAUST BEND (FOR K27 TURBO) | 1 | |
| | | | | |
| | | | | |
| | | | | |
| | | | | |
| | | | | |
| | | | | |
| | | | | |
| | | | | |
| | | | | |
| | | | | |
| | | | | |
| | | | | |
| | | | | |
| | | | | |
| | | | | |
| | | | | |
| | | | | |
| | | | | |
| | | | | |
| | | | | |
| | | | | |
| | | | | |

TITLE: - EXHAUST MANIFOLD
(6RT, V.S. K27 TURBO)

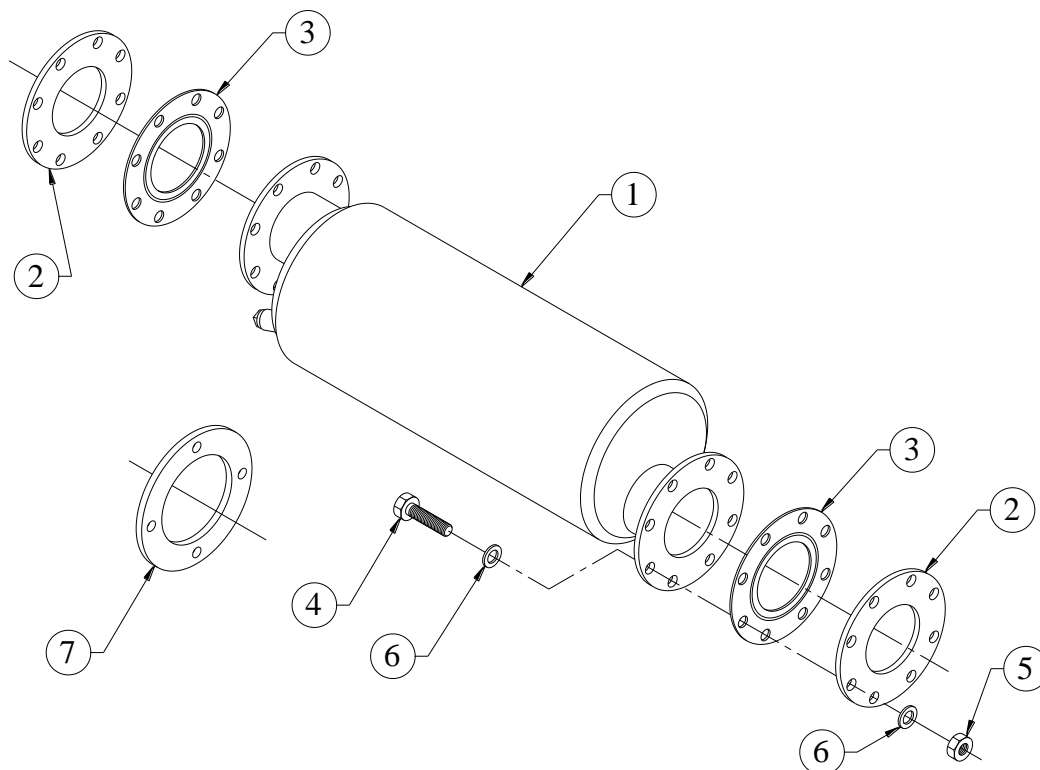
GROUP: - 6H.143



| SR.NO. | PART NO. | DESCRIPTION | QTY. | REMARKS |
|--------|----------------|---|------|---------|
| 1 | 6H.143.02.0.00 | EXHAUST MANIFOLD (CENTRAL PIECE, TO SUIT K27 TURBO) | 1 | |
| 2 | 6H.011.04.0.00 | EXHAUST MANIFOLD (SIDE PIECE) | 2 | |
| 3 | 4H.107.02.0.00 | SPACER(FOR EXT.MANIFOLD) | 12 | |
| 4 | 50.011.08.075. | SOCKET HEAD SCREW - M8X1.25X75 - 8.8 | 12 | |
| 5 | P2.106.01.0.00 | S.S. JOINT FOR EXHAUST MANIFOLD | 6 | |
| 6 | 50.010.10.025. | STUD - M10X1.5X25 - 8.8 | 4 | |
| 7 | 50.080.10.000. | STAINLESS STEEL NUT M10-AISI-304 | 4 | |
| 8 | F6.168.02.0.00 | R RINGS(DIN 70910-65X2.5) | 6 | |
| 9 | 50.506.10.000. | PLAIN MACHINED WASHER - M10 | 4 | |
| | | | | |
| | | | | |
| | | | | |
| | | | | |
| | | | | |

**TITLE: - EXHAUST SILENCER INDUSTRIAL
TYPE FOR F.F. ENGINES**

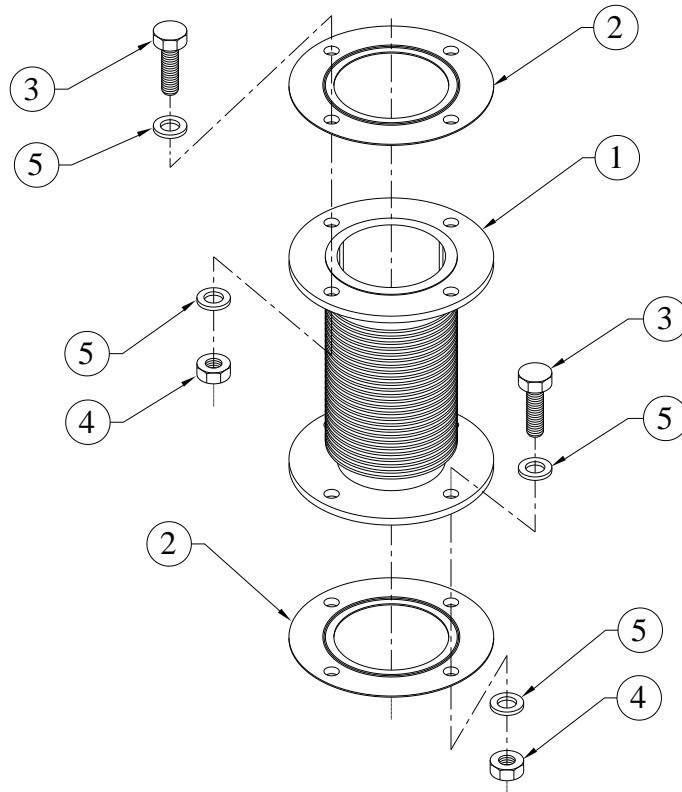
GROUP: - 6H.1126



| SR.NO. | PART NO. | DESCRIPTION | QTY. | REMARKS |
|--------|-----------------|---|------|---------|
| 1 | 6H.1126.03.0.00 | EXHAUST SILENCER(5", INDUSTRIAL TYPE) FOR 6R1080TA ENGINES FOR FIRE FIGHTING APPLICATION | 1 | |
| 2 | 6H.1126.05.0.PR | FLANGE(5" I.D. & 219 MM PCD) AT SILENCER SIDE | 2 | |
| 3 | KV0.509.02.0.00 | JOINT 219 PCD 8 HOLES FOR NELSON SILENCER KV0.509.01.0.00. | 2 | |
| 4 | 50.003.20.040. | SET SCREW - M20X2.5X40 - 8.8 | 16 | |
| 5 | 50.006.20.000. | NUT - M20X2.5 - GR.8 | 16 | |
| 6 | 50.506.20.000. | PLAIN MACHINED WASHER - M20 | 32 | |
| 7 | 6H.1126.06.0.PR | FLANGE(5" I.D. & 165 MM PCD) AT BELLOW SIDE | 1 | |
| | | | | |
| | | | | |
| | | | | |
| | | | | |
| | | | | |

**TITLE: - EXPANSION BELLOW
(4") AND MOUNTING**

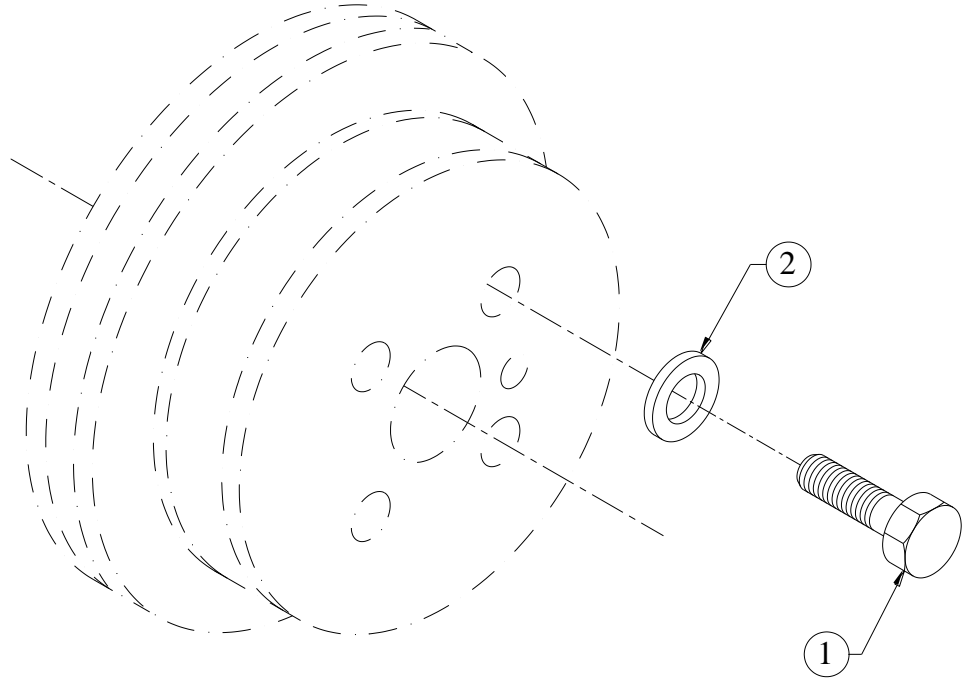
GROUP: - F6.550



| SR.NO. | PART NO. | DESCRIPTION | QTY. | REMARKS |
|--------|----------------|---|------|---------|
| 1 | F6.550.01.0.00 | EXPANSION BELLOW 4" (WITH 4 MTG. HOLE) | 1 | |
| 2 | F6.503.02.0.00 | S.S.JOINT(4") | 2 | |
| 3 | 50.003.14.040. | SET SCREW - M14X2X40 - 8.8 | 8 | |
| 4 | 50.006.14.000. | NUT - M14X2 - GR.8.8 | 8 | |
| 5 | 50.506.14.000. | PLAIN MACHINED WASHER - M14 | 16 | |
| | | | | |
| | | | | |
| | | | | |
| | | | | |
| | | | | |
| | | | | |
| | | | | |
| | | | | |
| | | | | |
| | | | | |
| | | | | |
| | | | | |
| | | | | |
| | | | | |

**TITLE: - FASTENER FOR WATER PUMP
PULLEY MOUNTING (FOR HE
COOLED FOR F.F. APPLICATION)**

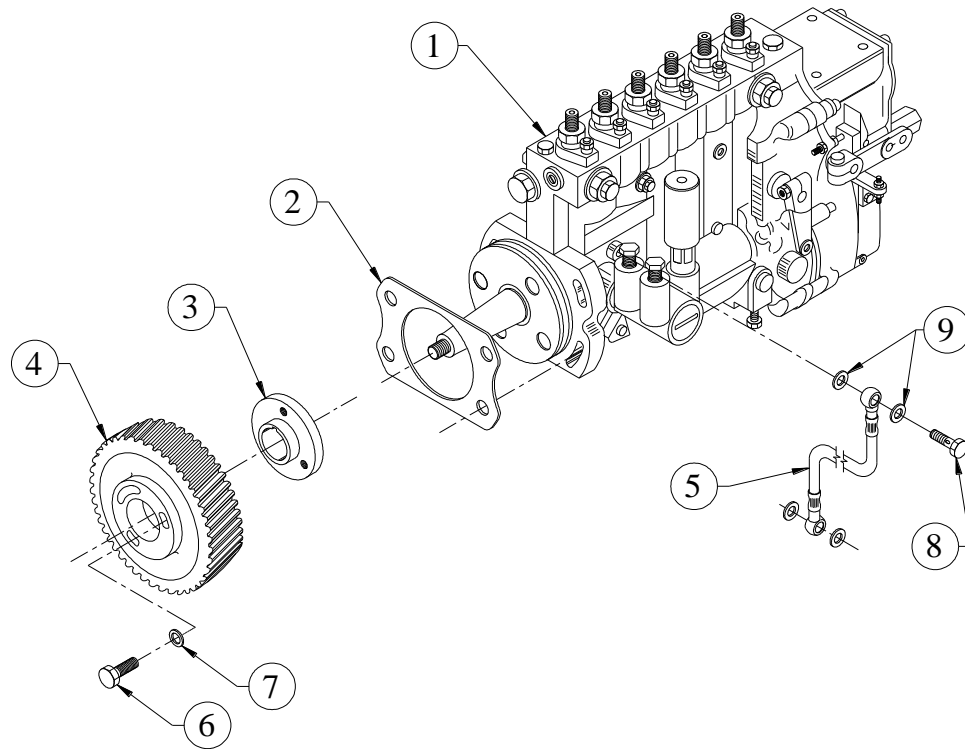
GROUP: - 6H.104.1



| SR.NO. | PART NO. | DESCRIPTION | QTY. | REMARKS |
|--------|----------------|------------------------------|------|---------|
| 1 | 50.003.08.020. | SET SCREW - M8X1.25X20 - 8.8 | 4 | |
| 2 | 50.506.08.000. | PLAIN MACHINED WASHER - M8 | 4 | |
| | | | | |
| | | | | |
| | | | | |
| | | | | |
| | | | | |
| | | | | |
| | | | | |
| | | | | |
| | | | | |
| | | | | |
| | | | | |
| | | | | |
| | | | | |
| | | | | |
| | | | | |
| | | | | |
| | | | | |
| | | | | |
| | | | | |
| | | | | |

TITLE: - FIP FOR 6R1080 TA Engine - SPP firefighting pump application

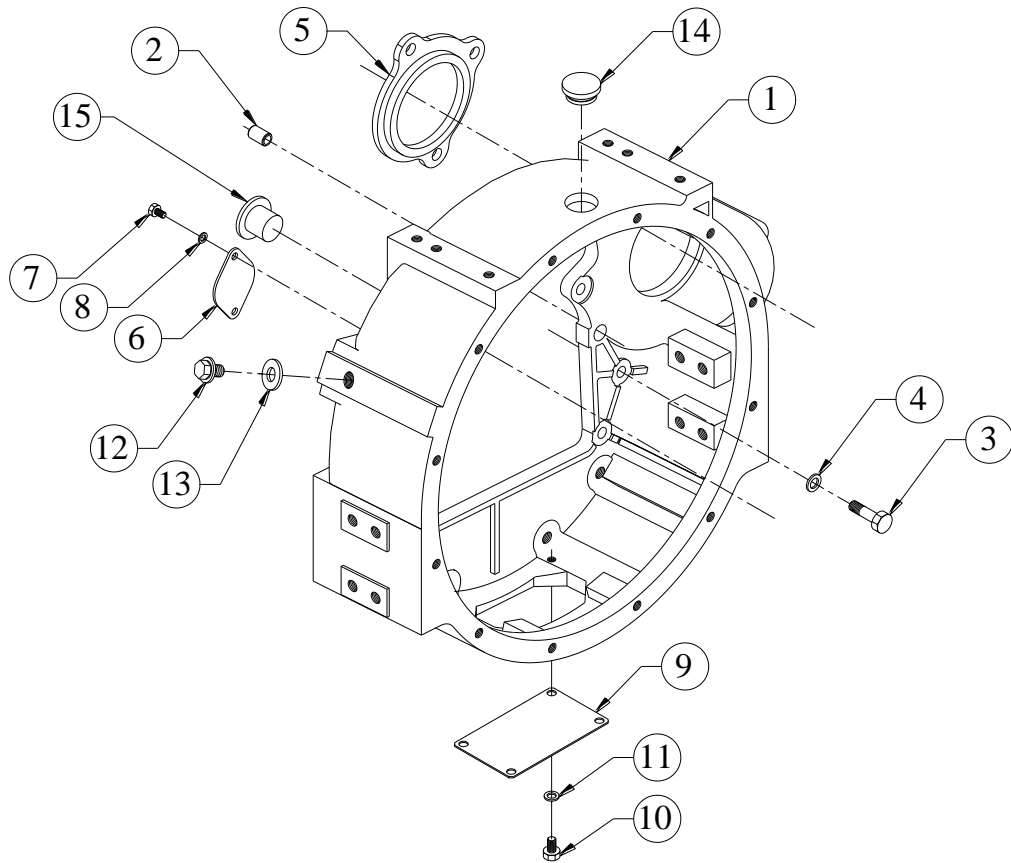
GROUP: - 6H.1134



| SR.NO. | PART NO. | DESCRIPTION | QTY. | REMARKS |
|--------|-----------------|--|------|---------|
| 1 | 6H.1134.01.0.00 | Motorpal Pump for 6R1080 TA Engine - SPP firefighting pump application | 1 | |
| 2 | 34.016.12.0.00 | JOINT FOR FUEL PUMP (NON ASBESTOS) | 1 | |
| 3 | 6H.652.02.0.00 | HUB (FOR MOTORPAL FIP FITMENT) | 1 | |
| 4 | 6H.652.01.0.00 | FIP GEAR (FOR MOTORPAL PUMP AND ROTARY PUMP) | 1 | |
| 5 | 6H.1134.03.0.00 | OIL CONNECTION FLEXIBLE PIPE(CRANKCASE TO FUEL PUMP) | 1 | |
| 6 | 50.003.08.025. | SET SCREW - M8X1.25X25 - 8.8 | 3 | |
| 7 | 34.017.05.0.00 | WASHER FOR FUEL PUMP GEAR. | 3 | |
| 8 | 50.504.04.000. | BANJO BOLT - M14X1.5 | 5 | |
| 9 | 50.508.11.000. | COPPER WASHER (14X18) | 10 | |
| | | | | |
| | | | | |
| | | | | |
| | | | | |
| | | | | |

TITLE: - FLYWHEEL HOUSING (SAE3-144.5)

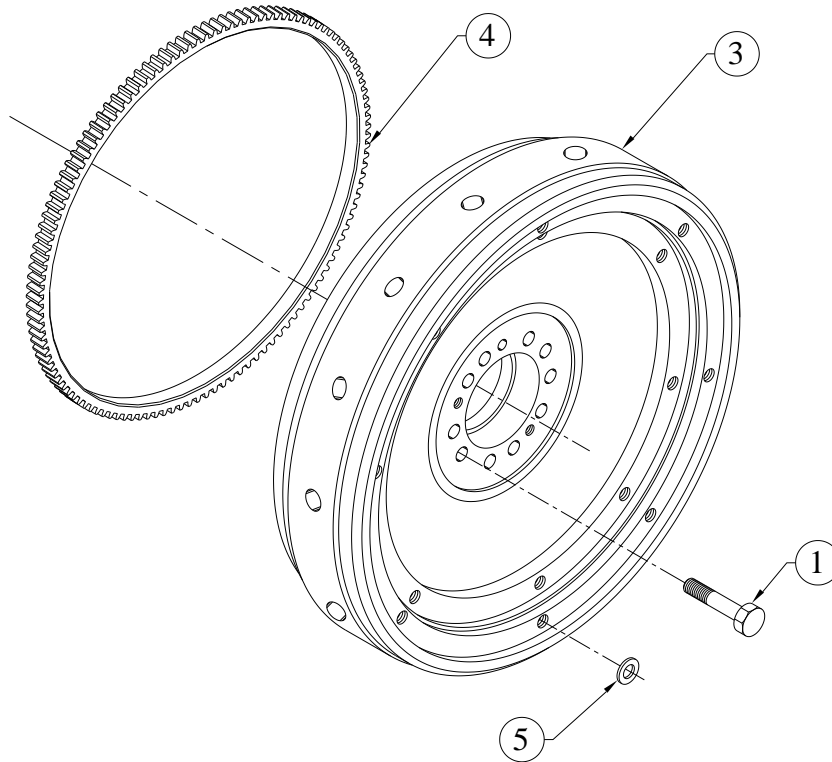
GROUP: - 4H.038



| SR.NO. | PART NO. | DESCRIPTION | QTY. | REMARKS |
|--------|----------------|---------------------------------------|------|---------|
| 1 | 4H.038.01.0.00 | FLYWHEEL HOUSING (SAE3 -144.5) | 1 | |
| 2 | 4H.001.13.0.00 | HOLLOW DOWEL (16 DIA) | 2 | |
| 3 | 50.052.10.030. | SET BOLT-M10X30-10.9 | 10 | |
| 4 | 02.024.09.0.00 | WASHER | 10 | |
| 5 | 4H.038.02.0.00 | FLANGE FOR STARTER. | 1 | |
| 6 | 4H.038.04.0.00 | BLANKING PLATE (FOR FLYWHEEL HOUSING) | 1 | |
| 7 | 50.003.06.012 | SET SCREW - M6X1X12 - 8.8 | 2 | |
| 8 | 50.506.06.000 | PLAIN MACHINED WASHER - M6 | 2 | |
| 9 | 03.086.02.0.00 | COVER FOR FLY WHEEL HSG | 1 | |
| 10 | 50.003.08.016 | SET SCREW - M8X1.25X16 - 8.8 | 4 | |
| 11 | 50.506.08.000 | PLAIN MACHINED WASHER - M8 | 4 | |
| 12 | 50.602.16.000 | CORE PLUG 16X1.5 | 1 | |
| 13 | 50.508.15.000 | COPPER WASHER (17X23) | 1 | |
| 14 | F6.016.12.0.00 | RUBBER CAP. | 1 | |
| 15 | 4H.038.05.0.00 | SHIPPING PLUG | 1 | |
| | | | | |
| | | | | |
| | | | | |

TITLE: - FLYWHEEL(C-110 PTO & SP-111 PTO)

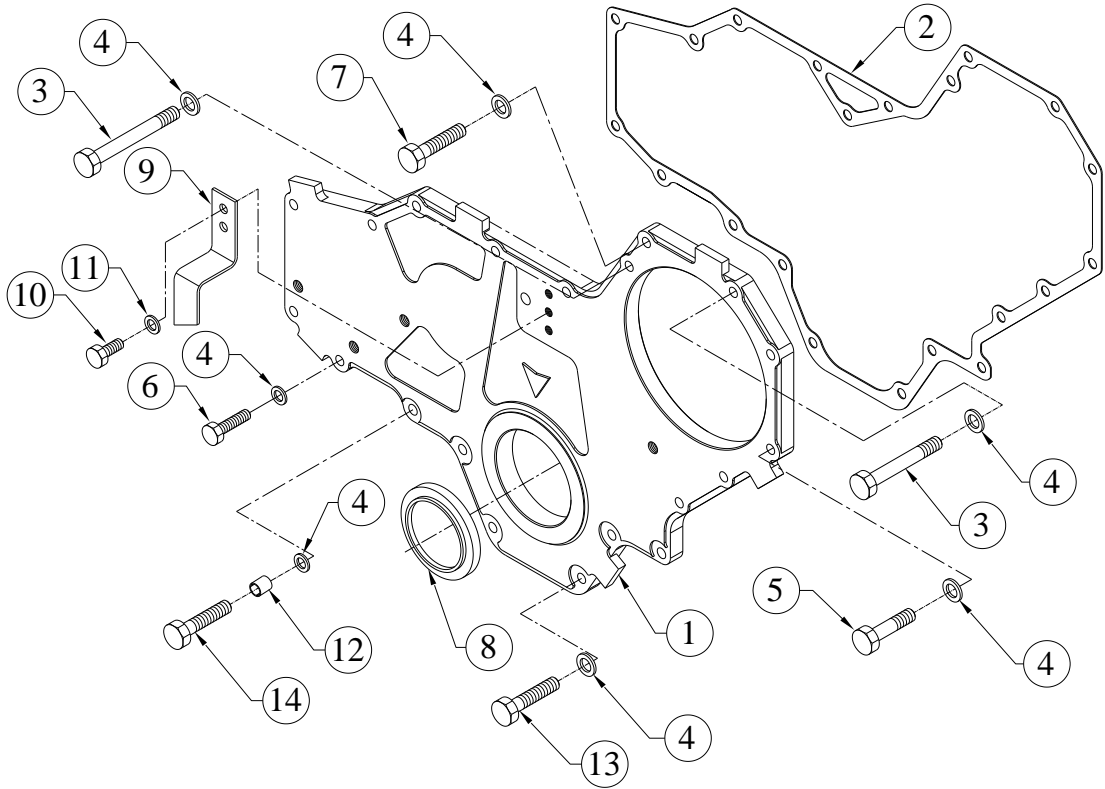
GROUP: - 04.039



| SR.NO. | PART NO. | DESCRIPTION | QTY. | REMARKS |
|--------|----------------|--------------------------------------|------|--------------------------|
| 1 | 03.050.02.0.00 | FLYWHEEL BOLT (M10X50) | 10 | |
| *2 | 04.039.10.0.00 | FLYWHEEL ASSLY | 1 | CONSISTING OF SR.NO. 3,4 |
| 3 | 04.039.01.0.00 | FLYWHEEL (C-110 PTO & SP-111 PTO) | 1 | |
| 4 | 03.035.02.0.00 | STARTER RING 121 TEETH, 3.175 MODULE | 1 | |
| 5 | 50.505.10.000. | SPRING WASHER - M10 | 8 | |
| | | | | |
| | | | | |
| | | | | |
| | | | | |
| | | | | |
| | | | | |
| | | | | |
| | | | | |
| | | | | |
| | | | | |
| | | | | |
| | | | | |
| | | | | |
| | | | | |
| | | | | |
| | | | | |
| | | | | |
| | | | | |
| | | | | |

TITLE: -FRONT COVER S/F VISCOUS DAMPER

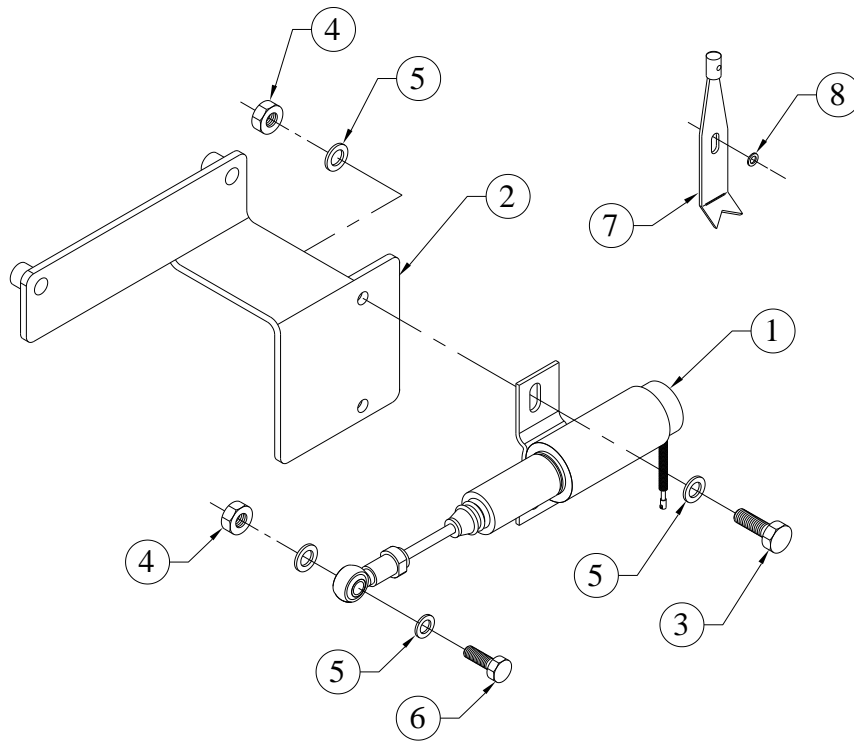
GROUP: - 6H.357.3



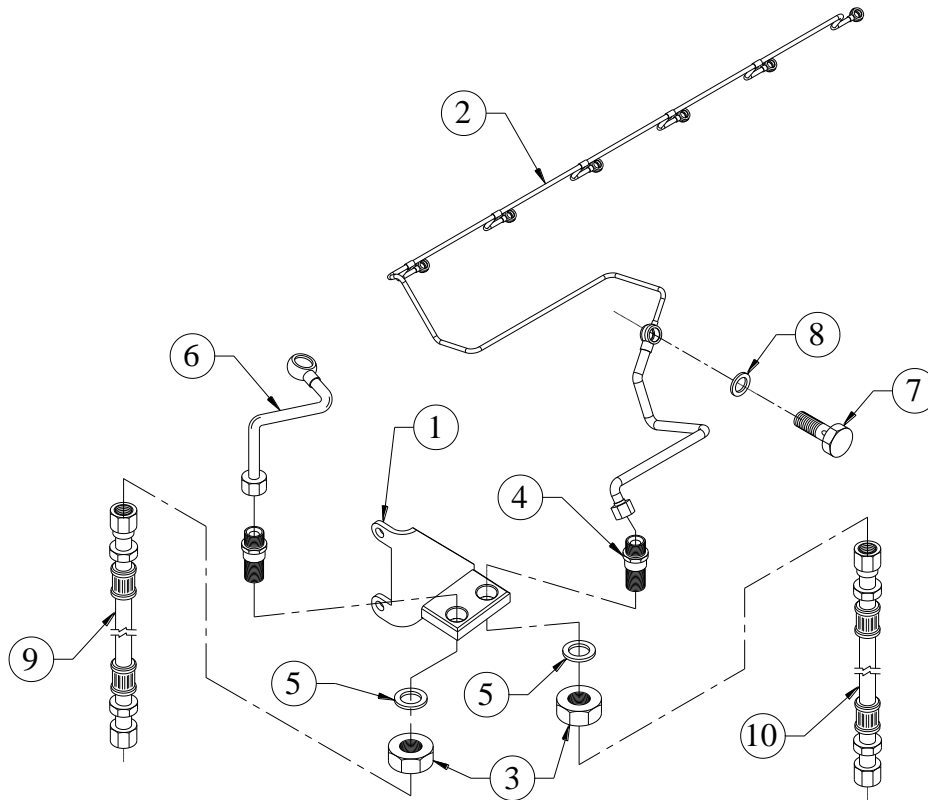
| SR.NO. | PART NO. | DESCRIPTION | QTY. | REMARKS |
|--------|----------------|---|------|---------|
| 1 | 4H.358.11.0.00 | FRONT COVER (4CX-EJCB) | 1 | |
| 2 | 4H.358.04.0.00 | JOINT FOR FRONT COVER (TS 9013) | 1 | |
| 3 | 50.002.08.080 | SET BOLT - M8X1.25X80 - 8.8 | 4 | |
| 4 | 50.506.08.000 | PLAIN MACHINED WASHER - M8 | 18 | |
| 5 | 50.002.08.030 | SET BOLT - M8X1.25X30 - 8.8 | 4 | |
| 6 | 50.003.08.025 | SET SCREW - M8X1.25X25 - 8.8 | 5 | |
| 7 | 50.003.08.035 | SET SCREW - M8X1.25X35 - 8.8 | 5 | |
| 8 | 4H.358.06.0.00 | GEAR END OIL SEAL (80X105X12) | 1 | |
| 9 | 6H.357.02.0.00 | TIMING POINTER (S/F 6R 1080 WITH DOUBLE GR. CRANK PULLEY) | 1 | |
| 10 | 50.003.06.012 | SET SCREW - M6X1X12 - 8.8 | 2 | |
| 11 | 50.506.06.000 | PLAIN MACHINED WASHER - M6 | 2 | |
| 12 | 06.158.01.0.00 | SPACER(9X20X9THICK) | 1 | |
| 13 | 50.003.08.045 | SET SCREW - M8X1.25X45 - 8.8 | 1 | |
| 14 | 50.003.08.040 | SET SCREW - M8X1.25X40 - 8.8 | 1 | |
| | | | | |
| | | | | |
| | | | | |

TITLE: - FUEL STOP SOLENOID (ELECTRAL CONTROL MAKE, INDIGENIOUS, ENERGIZE TO STOP TYPE, 12VDC) WITH SUITABLE LINKAGE & HARDWARE FOR FIRE FIGHTING APPLICATION

GROUP: - 4H.1357.5



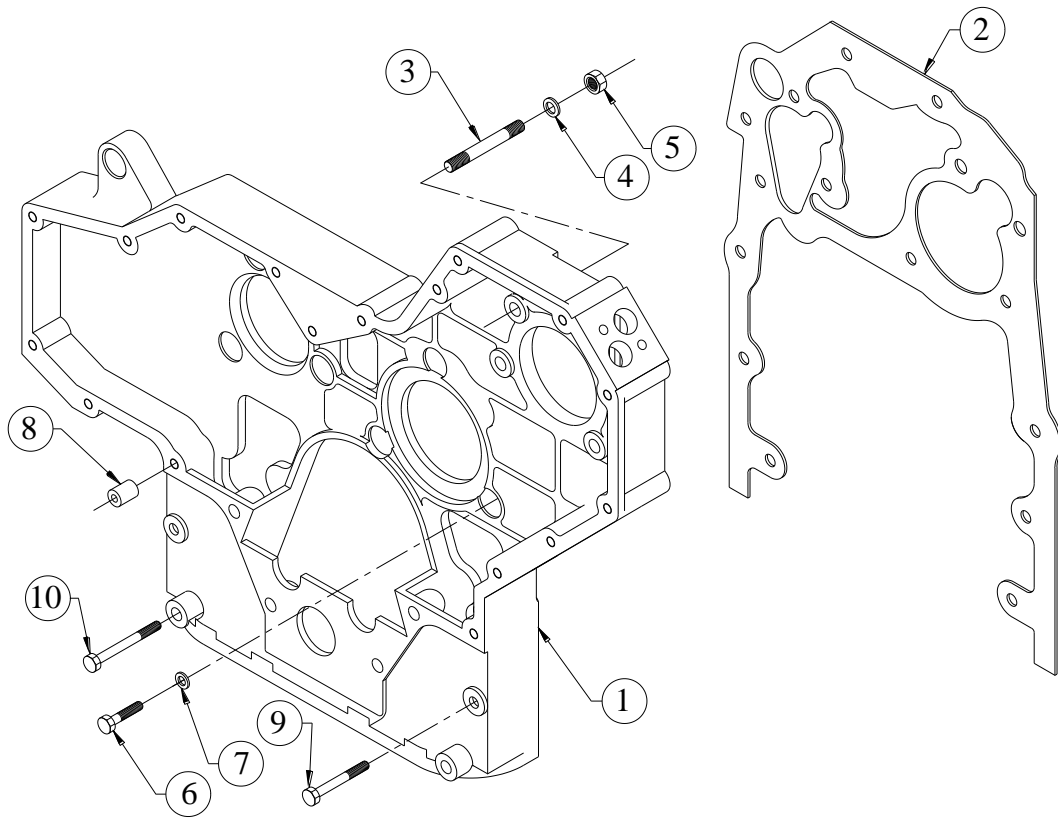
| SR.NO. | PART NO. | DESCRIPTION | QTY. | REMARKS |
|--------|-----------------|---|------|---------|
| 1 | 4H.1357.05.0.00 | FUEL STOP SOLENOID ASSEMBLY S/F 4RTA & 6RTA ENGINE (ELECTRAL CONTROL MAKE,INDIGENIOUS, ENERGIZE TO STOP TYPE, 12VDC) WITH SUITABLE LINKAGE & HARDWARE | 1 | |
| 2 | 4H.1357.03.0.00 | BRACKET(FOR STOP SOLENOID) | 1 | |
| 3 | 50.003.06.020. | SET SCREW - M6X1X20 - 8.8 | 2 | |
| 4 | 50.006.06.000. | NUT - M6X1 - GR.8.8 | 3 | |
| 5 | 50.506.06.000. | PLAIN MACHINED WASHER - M6 | 6 | |
| 6 | 50.003.06.025. | SET SCREW - M6X1X25 - 8.8 | 1 | |
| 7 | 02.118.01.0.00 | LEVER FOR ENGINE STOPPING | 1 | |
| 8 | 03.023.02.0.00 | SPL. PLAIN WASHER - M6 | 2 | |
| | | | | |
| | | | | |

TITLE: - FUEL SUPPLY & LEAK-OFF SYSTEM**GROUP: - 6H.1154.1**

| SR.NO. | PART NO. | DESCRIPTION | QTY. | REMARKS |
|--------|-----------------|---|------|---------|
| 1 | 4H.1375.03.0.00 | FUEL SUPPLY AND RETURN BLOCK | 1 | |
| 2 | 6H.1154.30.0.PR | FUEL LEAK OFF PIPE ASSEMBLY FOR 6R1080TA ENGINE | 1 | |
| 3 | 50.007.16.000. | NUT - M16X1.5 - GR.8 | 2 | |
| 4 | F6.418.04.0.00 | ADAPTOR FOR FUEL SUPPLY AND RETURN BLOCK | 2 | |
| 5 | 50.506.16.000. | PLAIN MACHINED WASHER - M16 | 2 | |
| 6 | 6H.1154.02.0.00 | FUEL SUPPLY PIPE (FROM SUPPLY BLOCK TO FUEL PUMP) | 1 | |
| 7 | 50.504.04.000. | BANJO BOLT - M14X1.5 | 1 | |
| 8 | 50.508.12.000. | COPPER WASHER (14X20) | 2 | |
| 9 | 4H.1375.06.0.PR | EXTENSION PIPE FOR FUEL SUPPLY | 1 | |
| 10 | 4H.1375.07.0.PR | EXTENSION PIPE FOR FUEL RETURN | 1 | |
| 11 | 50.002.08.040 | SET BOLT - M8X1.25X40 - 8.8 | 1 | |
| 12 | 50.002.08.045 | SET BOLT - M8X1.25X45 - 8.8 | 1 | |
| | | | | |
| | | | | |

TITLE: - GEAR CASING (FOR FMUL ENGINE)

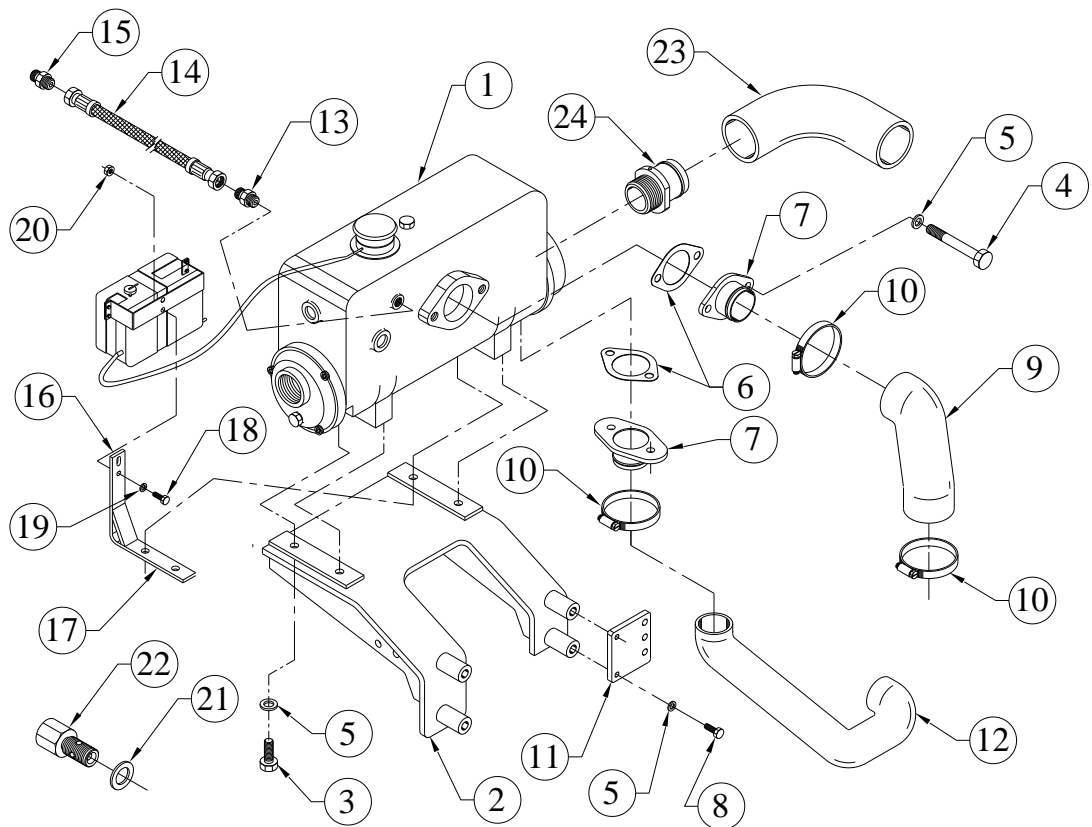
GROUP: - 6H.311.2



| SR.NO. | PART NO. | DESCRIPTION | QTY. | REMARKS |
|--------|----------------|---|------|---------|
| 1 | 6H.311.04.0.00 | GEAR CASING (FOR FMUL ENGINE) | 1 | |
| 2 | 6H.225.02.0.00 | JOINT FOR GEAR CASING | 1 | |
| 3 | 03.001.12.0.00 | PRECOATED STUD (FOR FUEL PUMP MOUNTING) | 4 | |
| 4 | 03.001.25.0.00 | WASHER(FOR FUEL PUMP MTG) | 4 | |
| 5 | 50.006.10.000. | NUT - M10X1.5 - GR.8.8 | 4 | |
| 6 | 50.003.08.025. | SET SCREW - M8X1.25X25 - 8.8 | 8 | |
| 7 | 50.506.08.000. | PLAIN MACHINED WASHER - M8 | 14 | |
| 8 | 34.001.23.0.00 | DOWEL FOR GEAR CASING | 2 | |
| 9 | 50.002.08.065. | SET BOLT - M8X1.25X65 - 8.8 | 2 | |
| 10 | 50.002.08.080. | SET BOLT - M8X1.25X80 - 8.8 | 2 | |
| | | | | |
| | | | | |
| | | | | |
| | | | | |
| | | | | |
| | | | | |
| | | | | |

TITLE: - HEAT EXCHANGER FOR 6R1080TA F.F. ENGINES

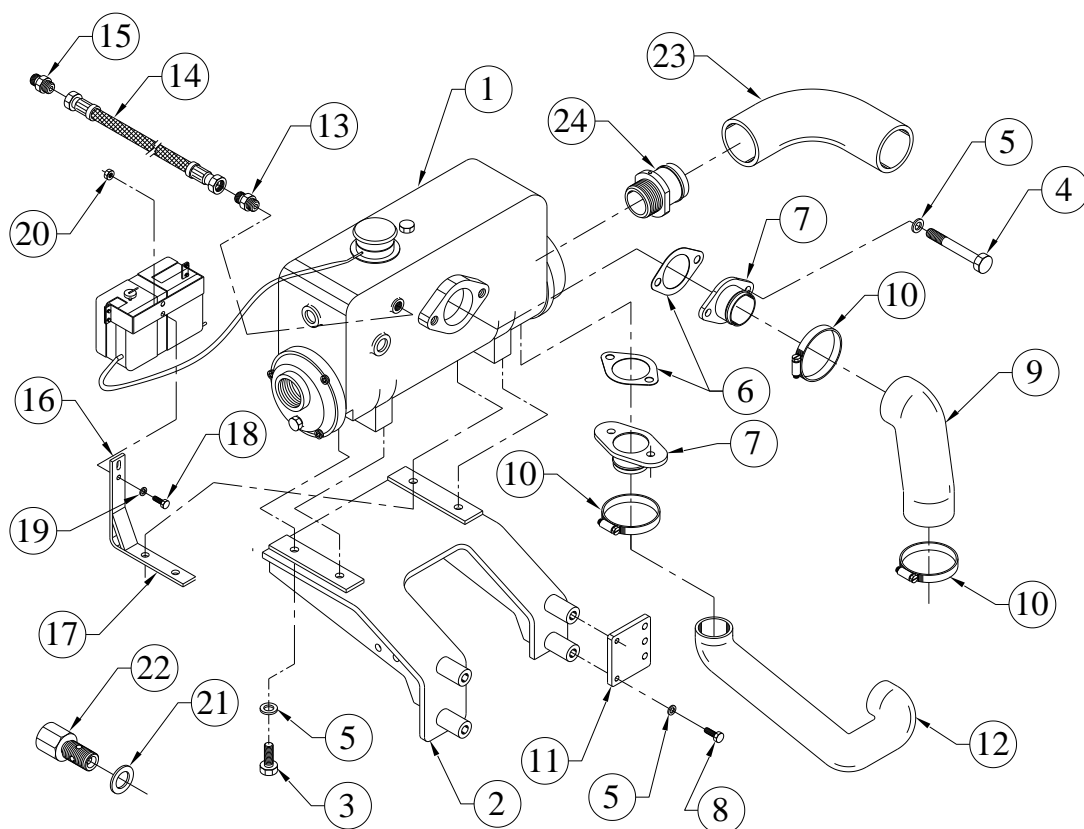
GROUP: - 6H.1145.2



| SR.NO. | PART NO. | DESCRIPTION | QTY. | REMARKS |
|--------|-----------------|--|------|---------|
| 1 | F6.982.17.0.00 | HEAT EXCHANGER(S/F FRESH WATER) FOR 6RTA AND SL90TA F.F. ENGINES | 1 | |
| 2 | 6H.1145.01.0.00 | BRACKET FOR HEAT EXCHANGER MTG | 1 | |
| 3 | 50.003.10.030 | SET SCREW - M10X1.5X30 - 8.8 | 2 | |
| 4 | 50.002.10.075 | SET BOLT - M10X1.5X75 - 8.8 | 4 | |
| 5 | 50.506.10.000 | PLAIN MACHINED WASHER - M10 | 12 | |
| 6 | F6.982.11.0.00 | JOINT FOR HEAT EXCHANGER | 2 | |
| 7 | F6.982.08.0.00 | ADAPTOR WITH FLANGE FOR H. EXCHANGER | 2 | |
| 8 | 50.003.10.025 | SET SCREW - M10X1.5X25 - 8.8 | 6 | |
| 9 | 6H.1145.04.0.00 | HOSE (THERMOSTAT TO HE) | 1 | |
| 10 | 4H.1712.24.0.00 | HOSE T-BOLT CLAMP (DIA. 55-65) | 4 | |
| 11 | 4H.225.06.0.00 | SPACER FOR BRACKET | 1 | |
| 12 | 6H.1145.03.0.00 | HOSE (HEAT EXCHANGER TO W.PUMP) | 1 | |
| | | | | |
| | | | | |

TITLE: - HEAT EXCHANGER FOR 6R1080TA F.F. ENGINES

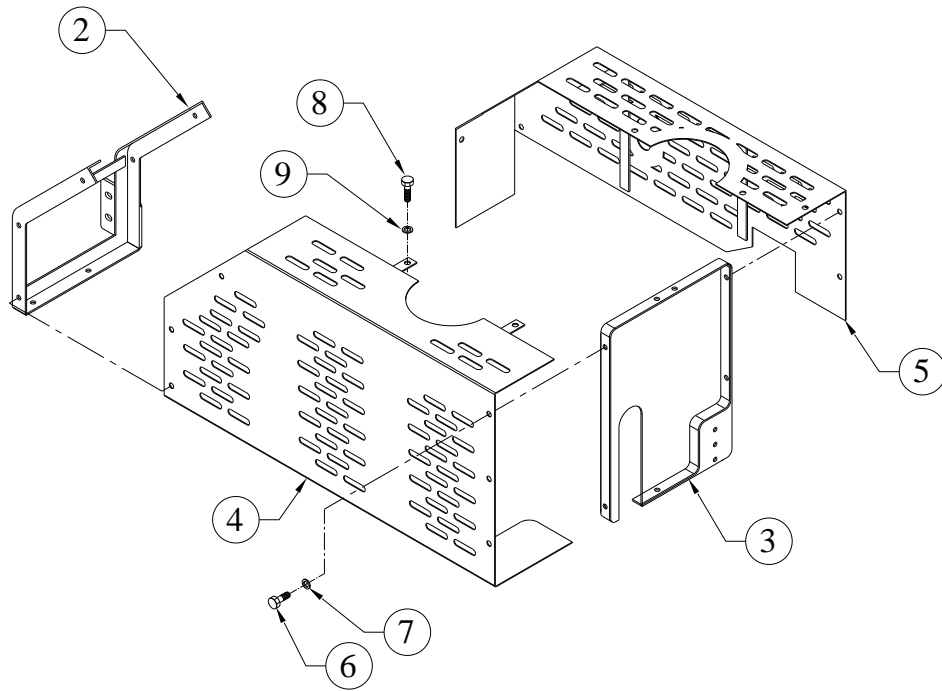
GROUP: - 6H.1145.2



| SR.NO. | PART NO. | DESCRIPTION | QTY. | REMARKS |
|--------|----------------|---|------|---------|
| 13 | F6.982.14.0.00 | ADAPTOR FOR VENT PIPE(M14X1.5 TO 1/4") | 1 | |
| 14 | F6.557.09.0.00 | FLEXIBLE PIPE VENT.CONN.TO MAKEUP W.TANK | 1 | |
| 15 | 4H.486.01.0.00 | ADAPTOR FOR FUEL INLET (BOTH END M14X1.5) | 1 | |
| 16 | 4H.760.03.0.00 | RECOVERY TANK WITH PIPE (FOR 4RTA UPTO 200 KVA) | 1 | |
| 17 | F6.982.21.0.PR | BRACKET FOR WATER RECOVERY TANK MTG. | 1 | |
| 18 | 50.003.06.022 | SET SCREW | 2 | |
| 19 | 50.506.06.000 | PLAIN MACHINED WASHER - M6 | 4 | |
| 20 | 50.006.06.000 | NUT - M6X1 - GR.8 | 2 | |
| 21 | 50.508.12.000 | COPPER WASHER (14X20) | 3 | |
| 22 | 4H.225.32.0.PR | ADAPTOR FOR WATER TEMP. SWITCH | 1 | |
| 23 | F6.982.12.0.00 | HOSE (BETWEEN CAC PIPE AND H.E.) | 1 | |
| 24 | F6.982.13.0.00 | ADAPTOR ON HEAT EXCHANGER | 2 | |

TITLE: - HEAT SHIELD MOUNTING

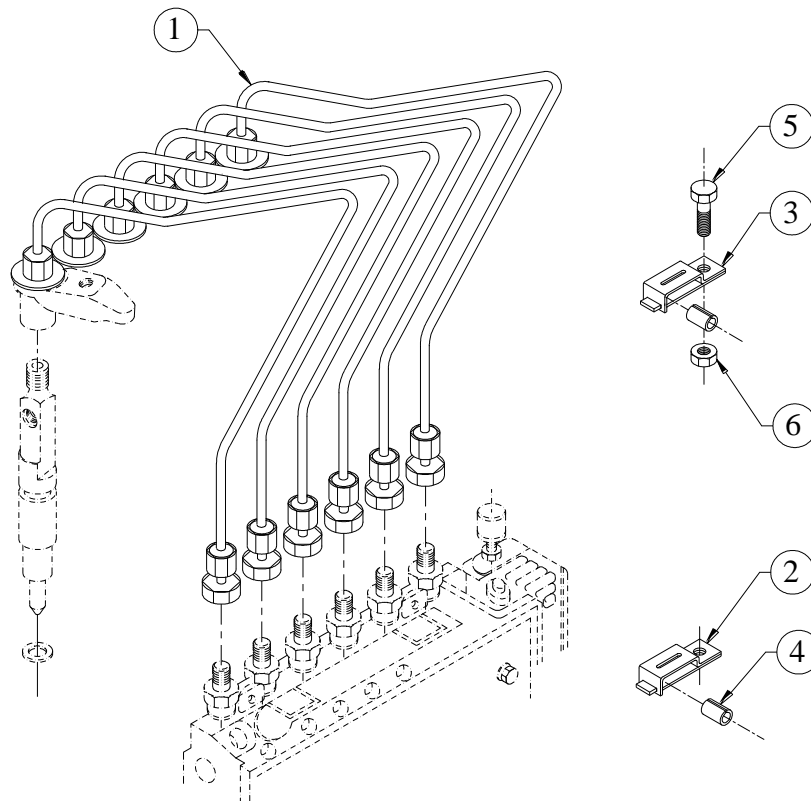
GROUP: - 6H.1153.1



| SR.NO. | PART NO. | DESCRIPTION | QTY. | REMARKS |
|--------|-----------------|--|------|------------------------------|
| *1 | 6H.1153.10.0.00 | HEAT SHIELD ASSLY. FOR 6R1080TA F.F. APPLICATION | 1 | CONSISTING OF SR. NO. 2 TO 7 |
| 2 | 6H.1153.01.0.00 | HEAT SHIELD MTG. FRAME (FLYWHEEL END SIDE) | 1 | |
| 3 | 6H.1153.02.0.00 | HEAT SHIELD MTG. FRAME (GEAR END SIDE) | 1 | |
| 4 | 6H.1153.03.0.00 | HEAT SHIELD COVER (FRONT SIDE) | 1 | |
| 5 | 6H.1153.04.0.00 | HEAT SHIELD COVER (ROCKER COVER SIDE) | 1 | |
| 6 | 50.003.08.016. | SET SCREW - M8X1.25X16 - 8.8 | 12 | |
| 7 | 50.506.08.000. | PLAIN MACHINED WASHER - M8 | 12 | |
| 8 | 50.002.10.025. | SET BOLT - M10X1.5X25 - 8.8 | 2 | |
| 9 | 50.506.10.000. | PLAIN MACHINED WASHER - M10 | 2 | |
| | | | | |
| | | | | |
| | | | | |
| | | | | |

TITLE: - HIGH PRESSURE PIPE (SPP)

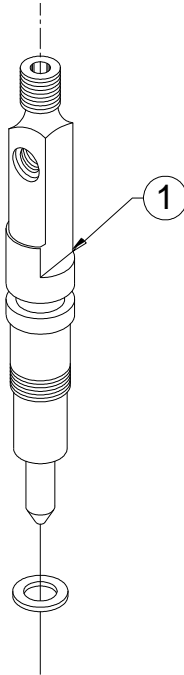
GROUP: - 6H.009.1



| SR.NO. | PART NO. | DESCRIPTION | QTY. | REMARKS |
|--------|----------------|---|------|---------|
| 1 | 6H.009.80.0.00 | H P PIPE COMPLETE SET 700 MM (1.8 - ST52)(Reference part number - 6H.009.70.0.00) | 1 | |
| 2 | 50.541.02.000. | PIPE CLIP. (FOR 3 PIPES) | 2 | |
| 3 | 50.541.03.000. | PIPE CLIP (FOR 4 PIPES) | 2 | |
| 4 | 02.036.03.0.00 | RUBBER SLEEVE | 14 | |
| 5 | 50.003.06.012. | SET SCREW - M6X1X12 - 8.8 | 4 | |
| 6 | 50.006.06.000. | NUT - M6X1 - GR.8 | 4 | |
| | | | | |
| | | | | |
| | | | | |
| | | | | |
| | | | | |
| | | | | |
| | | | | |
| | | | | |
| | | | | |
| | | | | |
| | | | | |

TITLE: INJECTOR & MOUNTING (SPP)

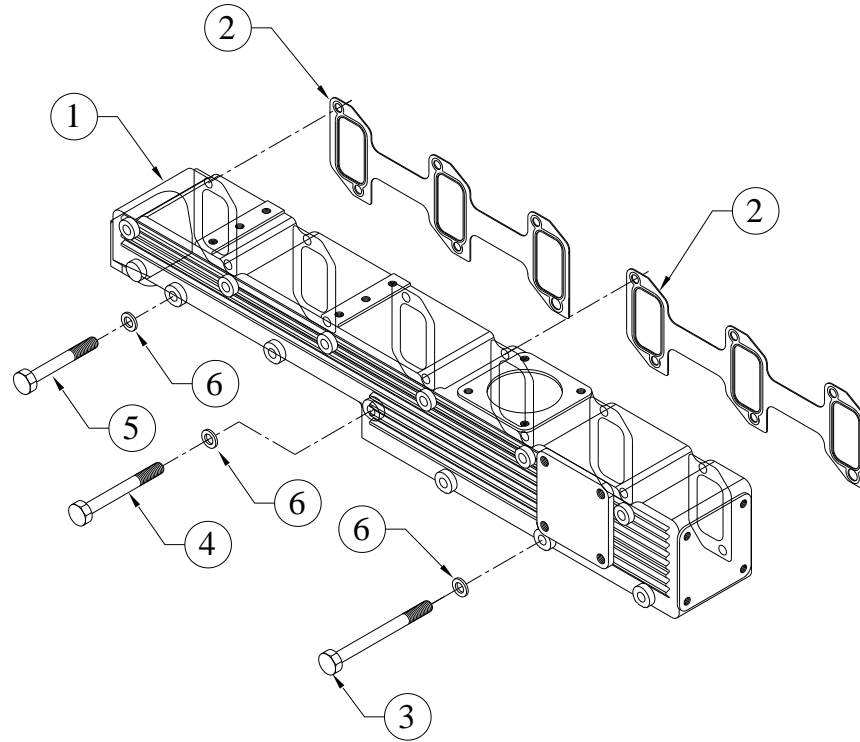
GROUP: - 4H.1529



| SR.NO. | PART NO. | DESCRIPTION | QTY. | REMARKS |
|--------|-----------------|--|------|---------|
| 1 | 4H.1529.02.0.00 | INJECTOR FOR 4K1080_125 KVA (MICO NO : E 080 1607 00) | 1 | |
| | | | | |
| | | | | |
| | | | | |
| | | | | |
| | | | | |
| | | | | |
| | | | | |
| | | | | |
| | | | | |
| | | | | |
| | | | | |
| | | | | |
| | | | | |
| | | | | |
| | | | | |
| | | | | |
| | | | | |
| | | | | |
| | | | | |

TITLE: - INLET MANIFOLD (ALUMINIUM)

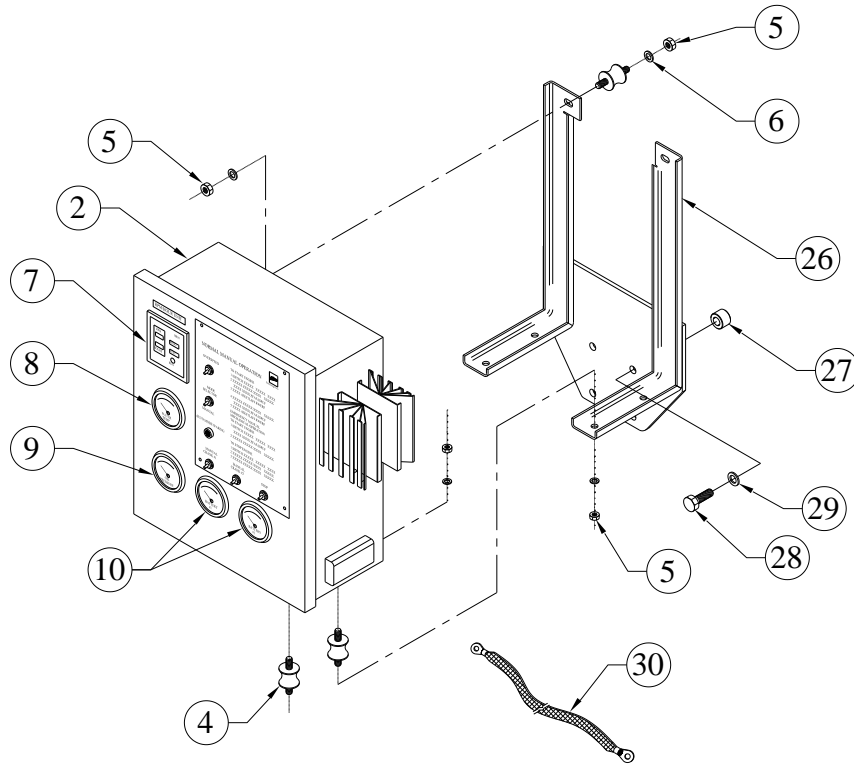
GROUP: - 6H.204.4



| SR.NO. | PART NO. | DESCRIPTION | QTY. | REMARKS |
|--------|----------------|---|------|---------|
| 1 | 6H.204.02.0.00 | AIR INLET MANIFOLD FOR FIRE FIGHTING APPLN. | 1 | |
| 2 | 3H.015.11.0.00 | JOINT FOR AIR INLET MANIFOLD | 2 | |
| 3 | 50.002.08.120 | SET BOLT - M8X1.25X120 - 8.8 | 9 | |
| 4 | 50.003.08.100 | SET BOLT - M8X1.25X100 - 8.8 | 2 | |
| 5 | 50.002.08.085 | SET BOLT - M8X1.25X85 - 8.8 | 1 | |
| 6 | 50.506.08.000. | PLAIN MACHINED WASHER - M8 | 12 | |
| | | | | |
| | | | | |
| | | | | |
| | | | | |
| | | | | |
| | | | | |
| | | | | |
| | | | | |
| | | | | |
| | | | | |
| | | | | |

TITLE: - INSTRUMENTAL PANEL WITH STANDARD REVISION (INDIGENOUS DEVELOPED, FM/UL TYPE) 12V FOR FIRE FIGHTING APPLN

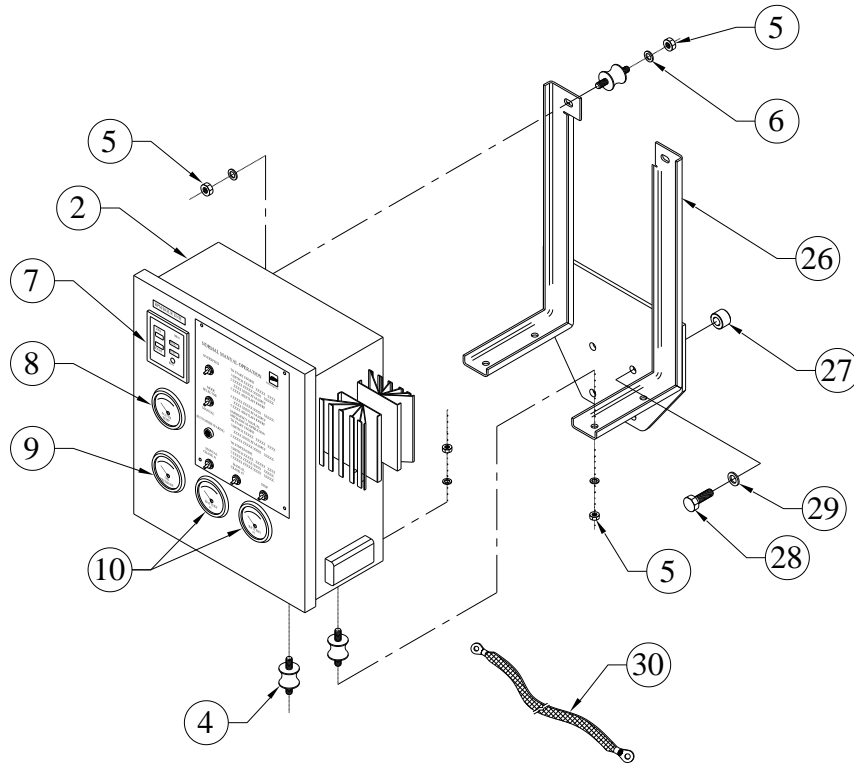
GROUP: - 6H.1147.4



| SR.NO. | PART NO. | DESCRIPTION | QTY. | REMARKS |
|--------|-----------------|---|------|-------------------------------|
| *1 | 4H.1364.30.0.00 | INSTRUMENTAL PANEL ASSEMBLY(REVISED SRTANDARD,FM/UL TYPE) 12V FOR FIRE FIGHTING APPLICATION | 1 | CONSISTING OF SR. NO. 2 TO 25 |
| 2 | 6H.1147.03.0.00 | CONTROL PANEL FABRICATED BOX WITH POWDERCOATING S/F FIRE FIGHTING(FM/UL) REVISED STANDARD | 1 | |
| *3 | 4H.1364.22.0.00 | CONTROL WIRING CIRCUIT DIAGRAM FOR FIREFIGHTING PANEL 12VDC(FM/UL) REVISED STANDARD | 1 | NOT ILLUSTRATED |
| 4 | 3H.880.02.0.00 | ANTI VIBRATION MOUNTING FOR CONTROL PANEL TS STANDARD MAKE (20 MM HEIGHT). | 6 | |
| 5 | 50.006.08.000. | NUT- M8X1.25 - GR.8.8 | 14 | |
| 6 | 50.506.08.000. | PLAIN MACHINED WASHER - M8 | 14 | |

TITLE: - INSTRUMENTAL PANEL WITH STANDARD REVISION (INDIGENOUS DEVELOPED, FM/UL TYPE) 12V FOR FIRE FIGHTING APPLN

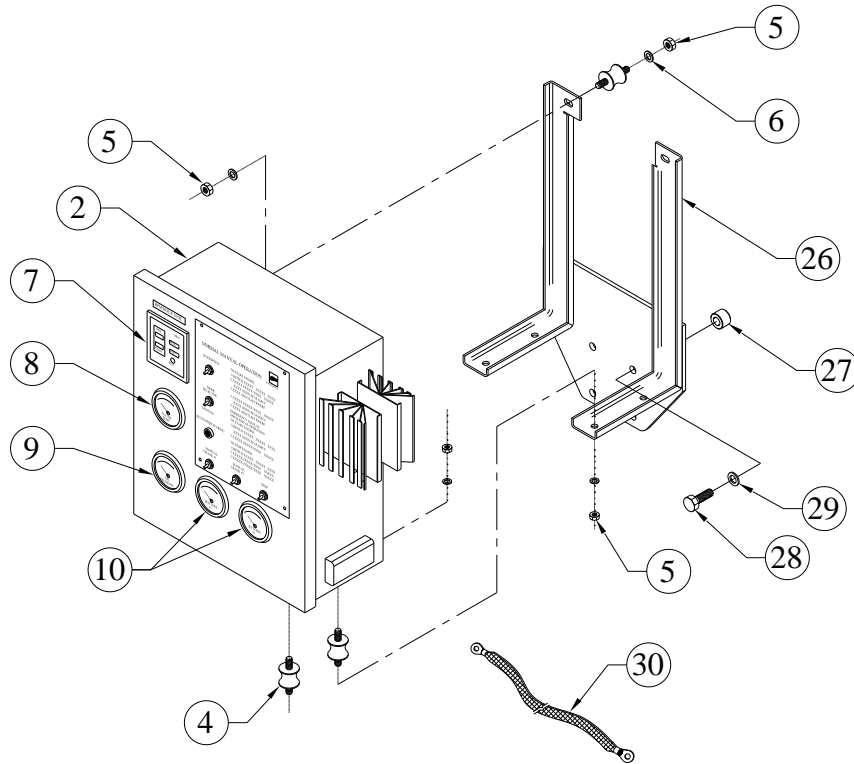
GROUP: - 6H.1147.4



| SR.NO. | PART NO. | DESCRIPTION | QTY. | REMARKS |
|--------|----------------|---|------|-----------------|
| 7 | 3H.130.05.0.00 | DIGITAL RPM METER WITH HOURMETER(SUPPLY VOLTAGE 8 TO 32 DC V INDIGENIOUS DEVELOPED) FOR FIRE FIGHTING APPLICATION | 1 | |
| 8 | 46.065.02.0.00 | ELEC.WT GAUGE 12 V VDO MAKE | 1 | |
| 9 | 46.250.01.0.00 | ELECTRICAL LUB OIL PRESSURE GAUGE 0-10BAR, 12 V D.C. VDO MAKE | 1 | |
| 10 | 4H.865.06.0.00 | DC VOLT METER 8 TO 16 V 53 DIA VDO MAKE | 2 | |
| *11 | 02.472.25.0.00 | RELAY CARD WITH 3 RELAY (FOR START STOP) | 1 | NOT ILLUSTRATED |
| *12 | 4H.865.01.0.00 | RELAY BOARD (4 RELAY) UL MAKE CONTACT RAITING 5 AMP.12 V DC 2C/O WITH OMRON RELAY. | 1 | NOT ILLUSTRATED |

TITLE: - INSTRUMENTAL PANEL WITH STANDARD REVISION (INDIGENOUS DEVELOPED, FM/UL TYPE) 12V FOR FIRE FIGHTING APPLN

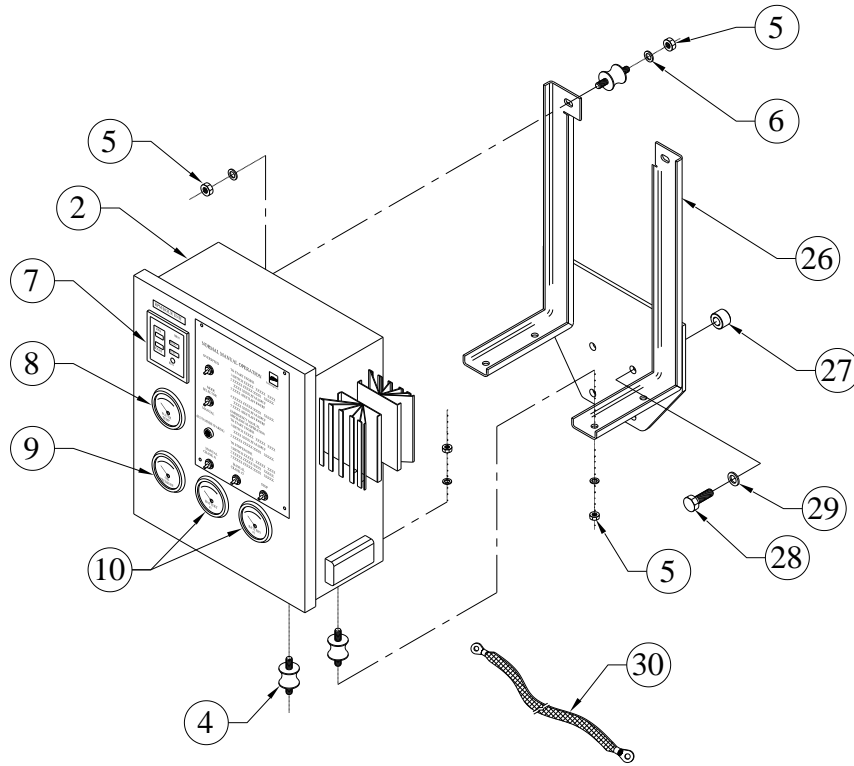
GROUP: - 6H.1147.4



| SR.NO. | PART NO. | DESCRIPTION | QTY. | REMARKS |
|--------|-----------------|--|------|-----------------|
| *13 | 3H.864.03.0.00 | MCB 4A SP MERLINGERIN MAKE (C60H1P4AC) | 2 | NOT ILLUSTRATED |
| *14 | 4H.1364.07.0.00 | INDICATION LAMP LED TYPE 12VDC 16MM DIA SUMO MAKE | 1 | NOT ILLUSTRATED |
| *15 | 4H.1364.09.0.00 | TOGGLE SWITCH ON/OFF 10AMP.WITH RUBBERCAP SWTRONIC MAKE MODEL NO.T902A1-W122-G | 1 | NOT ILLUSTRATED |
| *16 | 4H.1364.11.0.00 | TOGGLE SWITCH ON/OFF SPRING RETURN TYPE 10AMP.WITH RUBBER SEAL CAP SWTRONIC MAKE T902D1-WN22-G | 3 | NOT ILLUSTRATED |
| *17 | 4H.1364.13.0.00 | TERMINAL STRIP 16WAY IMPORTED 30AMP. | 1 | NOT ILLUSTRATED |
| *18 | 6H.902.11.0.00 | 16-PIN CONNECTOR ALLIED MAKE MS3102-36-14P (MALE TYPE) | 1 | NOT ILLUSTRATED |
| | | | | |

TITLE: - INSTRUMENTAL PANEL WITH STANDARD REVISION (INDIGENOUS DEVELOPED, FM/UL TYPE) 12V FOR FIRE FIGHTING APPLN

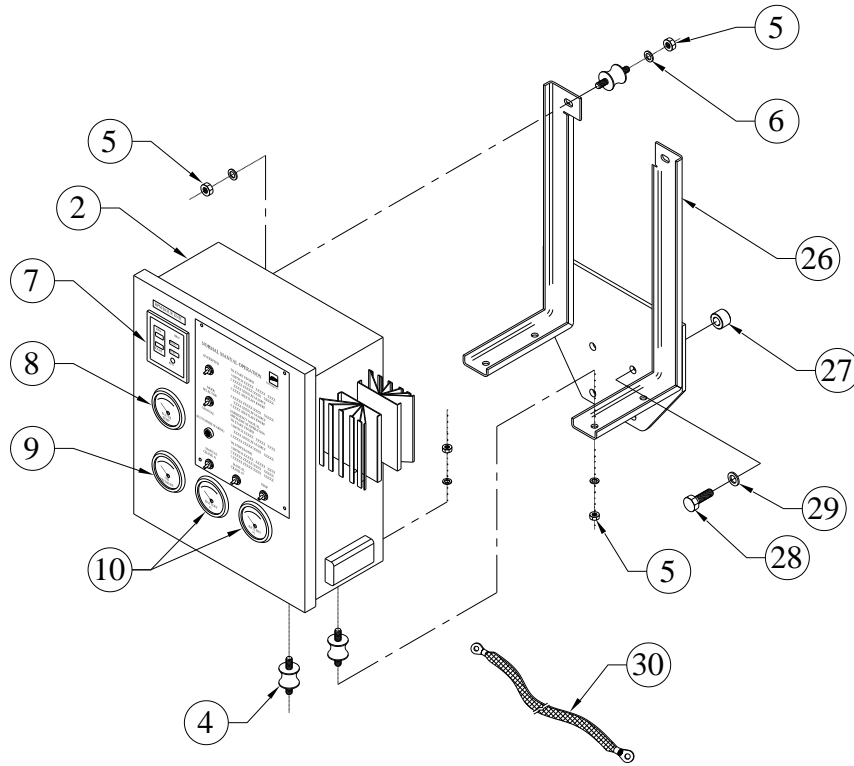
GROUP: - 6H.1147.4



| SR.NO. | PART NO. | DESCRIPTION | QTY. | REMARKS |
|--------|-----------------|--|------|-----------------|
| *19 | 6H.902.12.0.00 | 14-PIN CONNECTOR ALLIED MAKE MS3102R-28-20P (MALE TYPE) | 1 | NOT ILLUSTRATED |
| *20 | 4H.1364.12.0.00 | RECTIFIER DIODE BRIDGE 16AMP HIND MAKE MODEL NO.HB37-02 | 4 | NOT ILLUSTRATED |
| *21 | 4H.1364.14.0.00 | CONTROL PANEL OPERATING INSTRUCTION PLATE PRINTED WHITE BACKGROUND & BLACK LETTER 1.6MMTHICK,ALLUMINIUM SHEET. | 1 | NOT ILLUSTRATED |
| *22 | 4H.1364.15.0.00 | DIODE MOUDLE FOR BATTERY CHARGING 150AMP,CRYDOM MAKES MODEL NO. F1892CAD400 | 1 | NOT ILLUSTRATED |
| *23 | 4H.1364.16.0.00 | HEAT SINK FOR BATTERY CHARGING DIODE MODULE | 1 | NOT ILLUSTRATED |
| *24 | 4H.1364.17.0.00 | THREE WAY TERMINAL BLOCK 100AMP,V-CON MAKE MTB100 | 1 | NOT ILLUSTRATED |

TITLE: - INSTRUMENTAL PANEL WITH STANDARD REVISION (INDIGENOUS DEVELOPED, FM/UL TYPE) 12V FOR FIRE FIGHTING APPLN

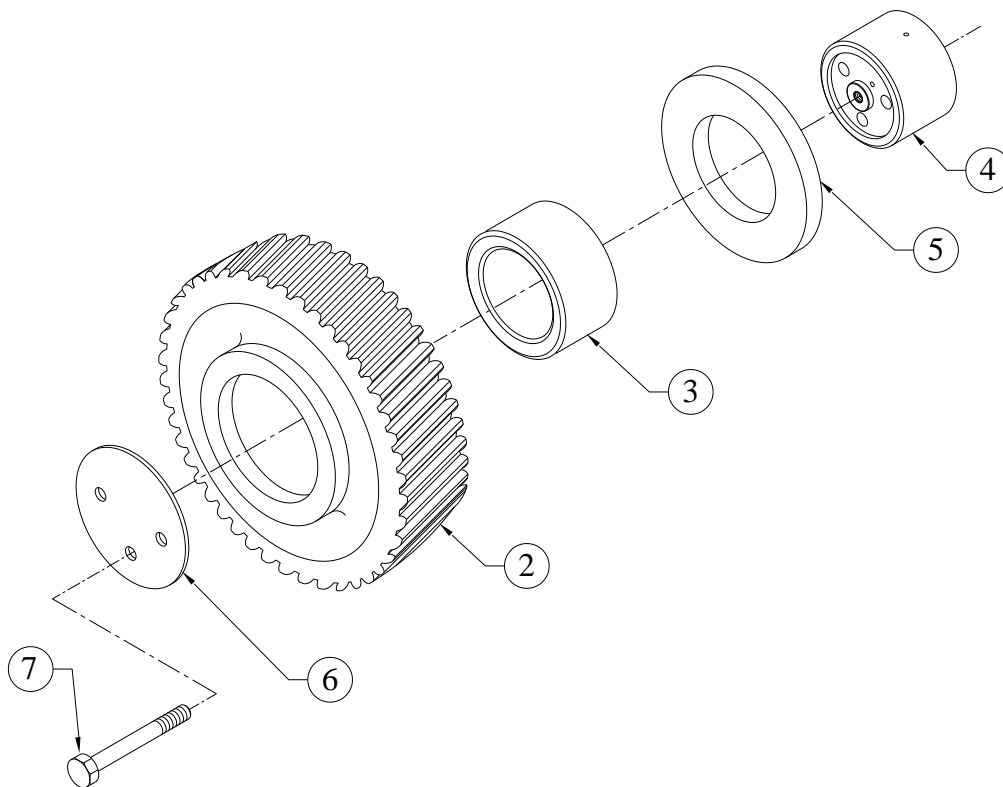
GROUP: - 6H.1147.4



| SR.NO. | PART NO. | DESCRIPTION | QTY. | REMARKS |
|--------|-----------------|---|------|-----------------|
| *25 | 4H.872.03.0.00 | EARTHING CABLE (BRADED) 6MM DIA. WITH SUITABLE LUG. ALT. TO BASE PLATE FOR 50 & 72 KVA SAUDI PROJECT.350MM LENGTH | 1 | NOT ILLUSTRATED |
| 26 | 6H.1147.01.0.00 | INSTRUMENT PANEL MOUNTING BRACKET | 1 | |
| 27 | 04.028.02.0.00 | SPACER (11X20X13.8L) | 4 | |
| 28 | 50.003.10.040. | SET SCREW - M10X1.5X40 - 8.8 | 4 | |
| 29 | 50.506.10.000. | PLAIN MACHINED WASHER - M10 | 4 | |
| | | | | |
| | | | | |
| | | | | |
| | | | | |
| | | | | |
| | | | | |
| | | | | |
| | | | | |

**TITLE:- INTERMEDIATE GEAR & SUPPORT SF
AUTO TIMER 6R1080 SERIES**

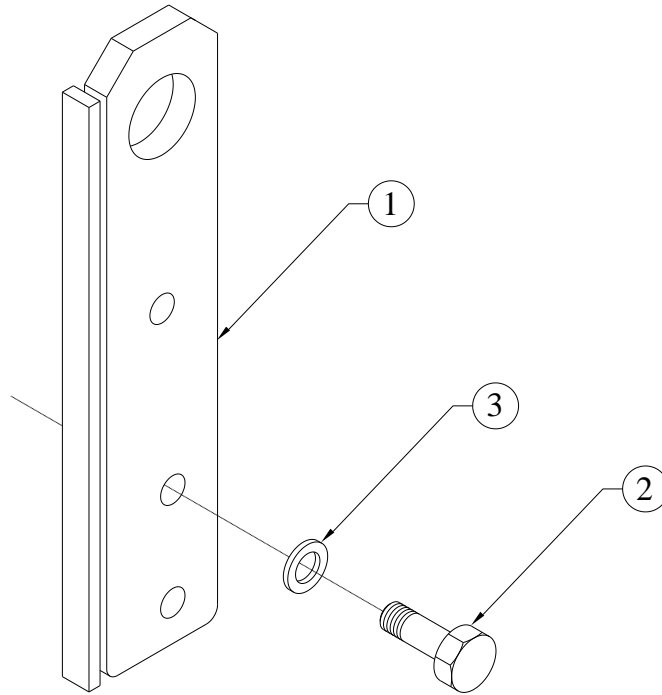
GROUP:- 6H.267



| SR.NO. | PART NO. | DESCRIPTION | QTY. | REMARKS |
|--------|----------------|---|------|-----------------------------|
| *1 | 2H.038.10.0.00 | ASSLY OF INTERMEDIATE GEAR & BUSH | 1 | CONSISTING OF SR. NO. 2 & 3 |
| 2 | 2H.038.03.0.00 | INTERMEDIATE GEAR(FINISH) | 1 | NOT SUPPLIED LOOSE |
| 3 | 2H.004.02.9.00 | BUSH FOR INTERMEDIATE GEAR(S/F) | 1 | |
| 4 | 6H.267.01.0.00 | INTERMEDIATE GEAR SUPPORT SF AUTO TIMER | 1 | |
| 5 | 2H.038.02.0.00 | THRUST WASHER | 1 | |
| 6 | 6H.293.01.0.00 | RETAINING PLATE FOR INT. GEAR SUPPORT W/O/AUTOTIMER | 1 | |
| 7 | 50.002.08.070. | SET BOLT - M8X1.25X70 - 8.8 | 3 | |
| | | | | |
| | | | | |
| | | | | |
| | | | | |
| | | | | |
| | | | | |
| | | | | |

TITLE: - LIFTING HOOK

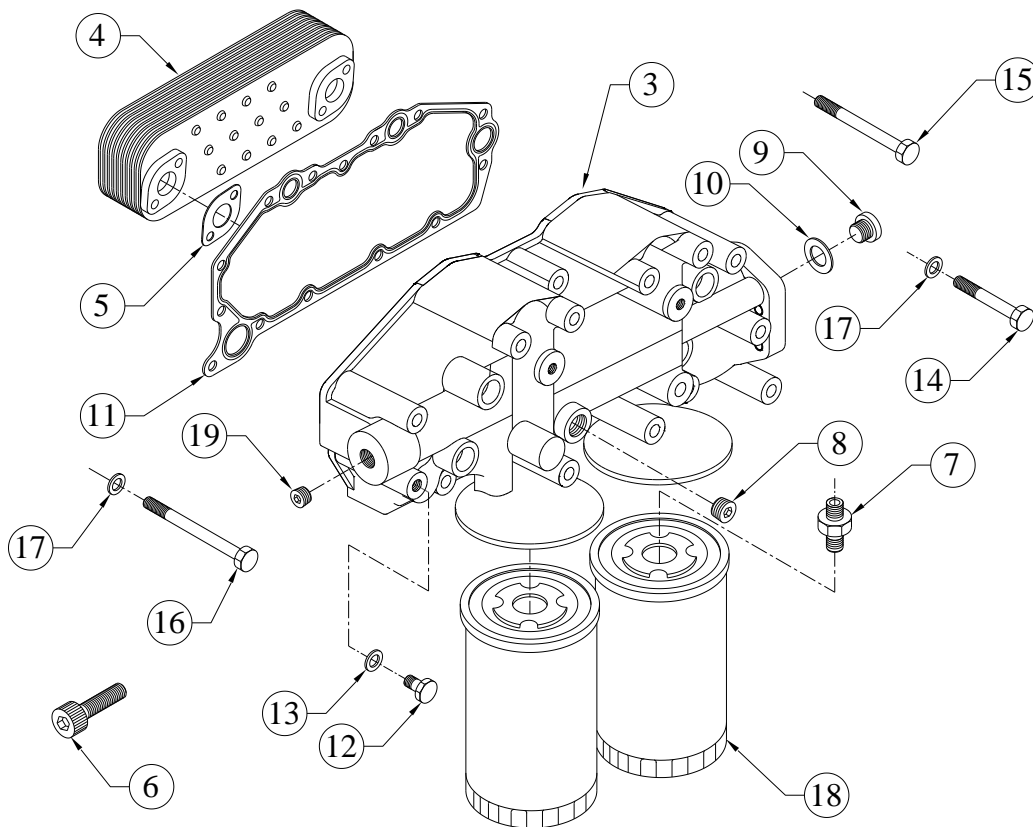
GROUP: - 6H.048.1



| SR.NO. | PART NO. | DESCRIPTION | QTY. | REMARKS |
|---------------|-----------------|-----------------------------|-------------|----------------|
| 1 | 6H.048.01.0.00 | LIFTING HOOK | 2 | |
| 2 | 50.002.10.030. | SET BOLT - M10X1.5X30 - 8.8 | 2 | |
| 3 | 50.506.10.000. | PLAIN MACHINED WASHER - M10 | 2 | |
| | | | | |
| | | | | |
| | | | | |
| | | | | |
| | | | | |
| | | | | |
| | | | | |
| | | | | |
| | | | | |
| | | | | |
| | | | | |
| | | | | |
| | | | | |
| | | | | |
| | | | | |
| | | | | |
| | | | | |
| | | | | |
| | | | | |
| | | | | |
| | | | | |
| | | | | |
| | | | | |

**TITLE: - LUB OIL COOLER AND FILTER
(FOR JACKET WATER HEATING)**

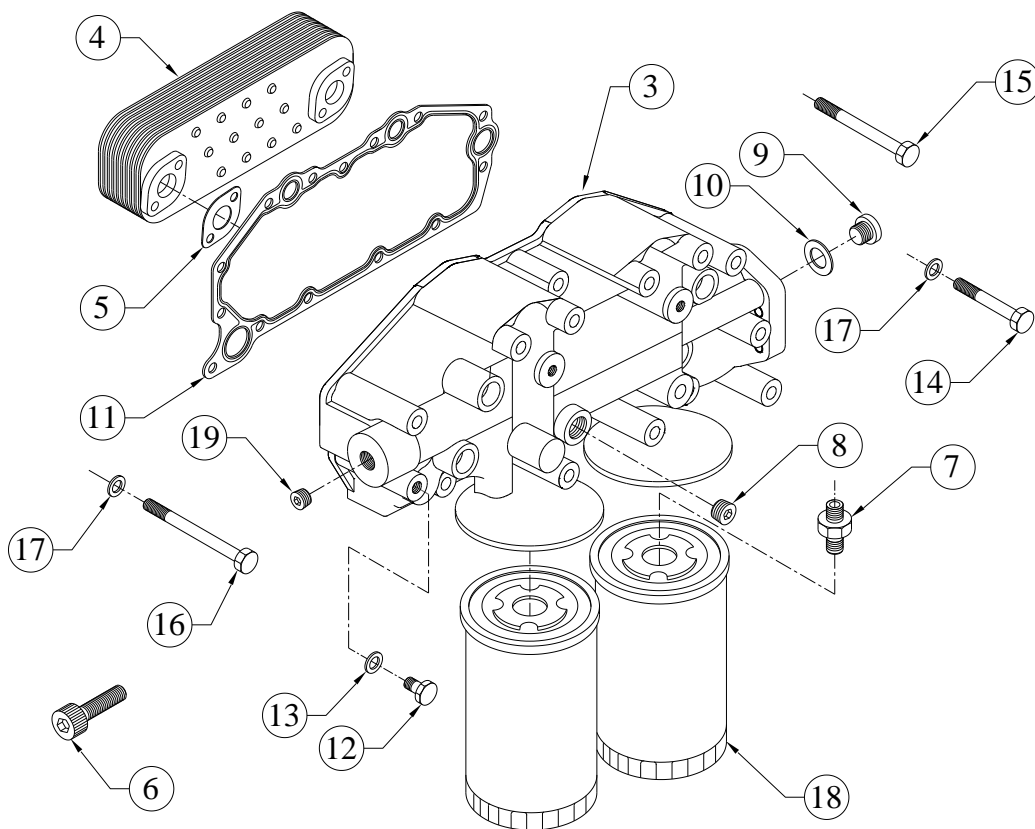
GROUP: - 6H.113...EXP



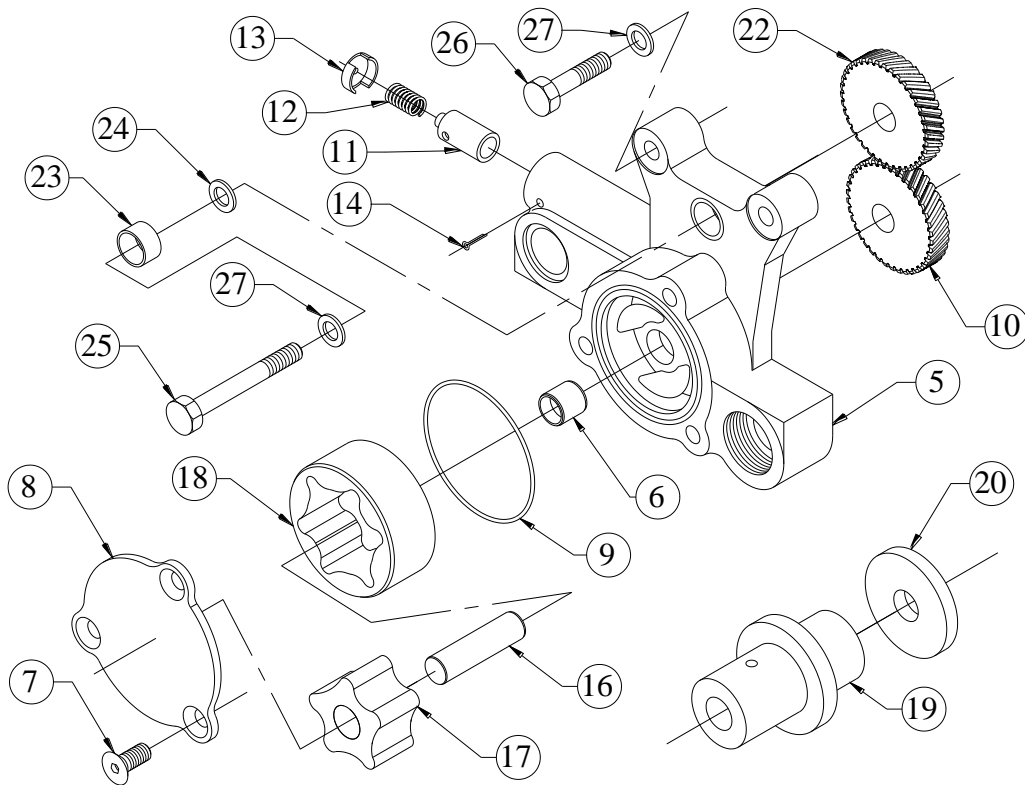
| SR.NO. | PART NO. | DESCRIPTION | QTY. | REMARKS |
|--------|----------------|---|------|------------------------------------|
| *1 | 6H.113.30.0.00 | LUBE OIL COOLER ASSEMBLY | 1 | CONSISTING OF SR. NO. 2 & 11 TO 17 |
| *2 | 6H.113.20.0.00 | HEADER AND COOLER ASSEMBLY | 1 | CONSISTING OF SR. NO. 3 TO 10 |
| 3 | 6H.113.01.0.00 | HEADER FOR LUB OIL COOLER AND FILTER (S/F JACKET WATER HEATER) | 1 | |
| 4 | F6.358.01.0.00 | PLATE TYPE LUB OIL COOLER | 1 | |
| 5 | F6.036.11.0.00 | JOINT FOR LUB OIL COOLER | 1 | |
| 6 | 50.011.10.040. | CAP SCREW | 4 | |
| 7 | 3H.007.05.0.00 | ADAPTOR FOR SPIN ON FILTER | 2 | |
| 8 | 50.056.08.000. | HEADLESS PIPE PLUG 1"-11.5 NPTF | 1 | |
| 9 | 50.610.22.000. | CORE PLUG HEXAGONAL SOCKET HEAD(M22x1.5) | 1 | |
| 10 | 50.508.23.000. | COPPER WASHER (22X27) | 1 | |
| 11 | 6H.014.11.0.00 | JOINT FOR HEADER | 1 | |

**TITLE: - LUB OIL COOLER AND FILTER
(FOR JACKET WATER HEATING)**

GROUP: - 6H.113...EXP



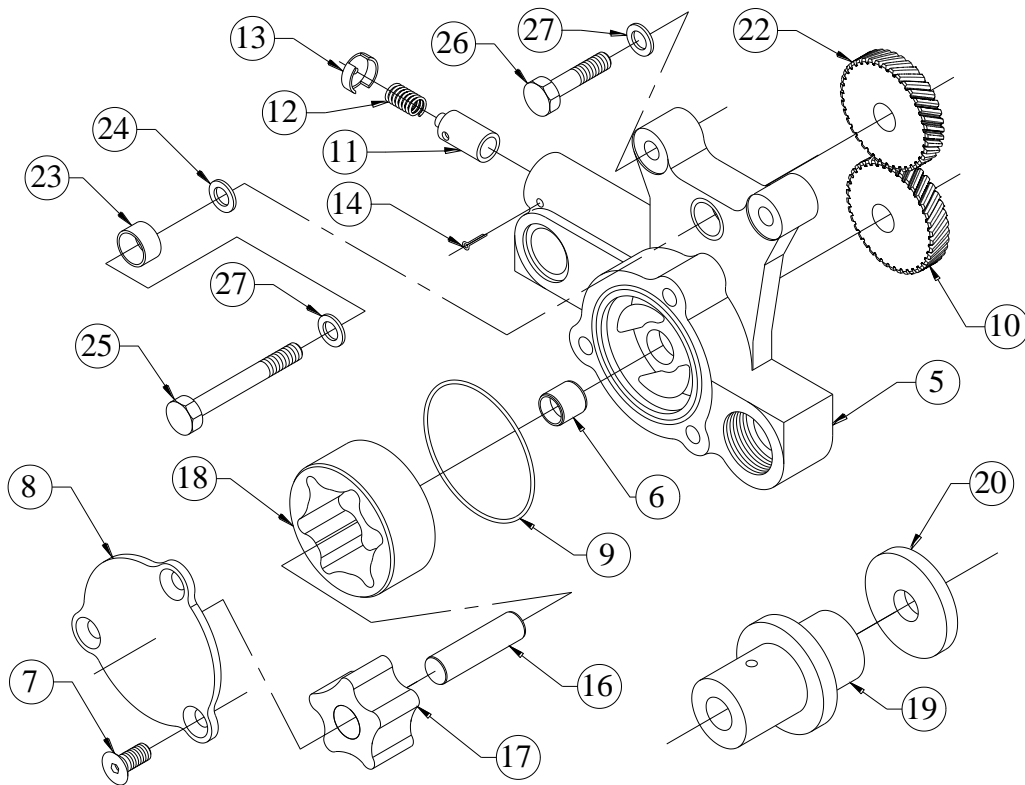
| SR.NO. | PART NO. | DESCRIPTION | QTY. | REMARKS |
|--------|----------------|---------------------------------------|------|---------|
| 12 | 34.001.35.0.00 | PRECOATED PLUG (FOR OIL GALLERY) | 1 | |
| 13 | 50.508.08.000. | COPPER WASHER (10X16) | 1 | |
| 14 | 50.002.08.060. | SET BOLT - M8X1.25X60 - 8.8 | 2 | |
| 15 | 50.002.08.090. | SET BOLT - M8X1.25X90 - 8.8 | 4 | |
| 16 | 50.002.08.110. | SET BOLT - M8X1.25X110 - 8.8 | 8 | |
| 17 | 50.506.08.000. | PLAIN MACHINED WASHER - M8 | 14 | |
| 18 | 06.436.01.0.00 | SPIN ON FILTER FOR LUBRICATING OIL | 2 | |
| 19 | 50.056.07.000. | HEADLESS PIPE PLUG (NPTF 14-3/4") | 1 | |
| | | | | |
| | | | | |
| | | | | |
| | | | | |
| | | | | |
| | | | | |
| | | | | |

TITLE: - LUB OIL PUMP**GROUP: - 6H.047**

| SR.NO. | PART NO. | DESCRIPTION | QTY. | REMARKS |
|--------|----------------|---|------|---|
| *1 | 6H.047.40.0.00 | LUB OIL PUMP ASSLY WITH INTERMEDIATE GEAR | 1 | CONSISTING OF SR. NO.- 2, 19 TO 21 & 24 |
| *2 | 6H.047.30.0.00 | LUB OIL PUMP ASSLY | 1 | CONSISTING OF SR. NO.- 3, 15 & 18 |
| *3 | 6H.047.90.0.00 | LUB OIL PUMP ASSEMBLY (WITHOUT ROTORS) | 1 | CONSISTING OF SR. NO.- 4, 7 TO 14 |
| *4 | 6H.047.20.0.00 | SUBASSLY OF LUB OIL PUMP BODY & BUSH | 1 | CONSISTING OF SR. NO.- 5 AND 6 |
| 5 | 6H.047.01.0.00 | LUB OIL PUMP BODY (MACHINING) | 1 | NOT SUPPLIED LOOSE |
| 6 | 03.010.05.0.00 | BUSH FOR L.O.PUMP BODY | 1 | NOT SUPPLIED LOOSE |
| 7 | 06.010.01.0.00 | COUNTER SUNK SOCKET HEAD SCREW. | 3 | |
| 8 | 06.010.02.0.00 | COVER PLATE | 1 | NOT SUPPLIED LOOSE |
| 9 | 03.010.11.0.00 | O RING - L.O.PUMP (1.57X65,21508) | 1 | |

TITLE: - LUB OIL PUMP

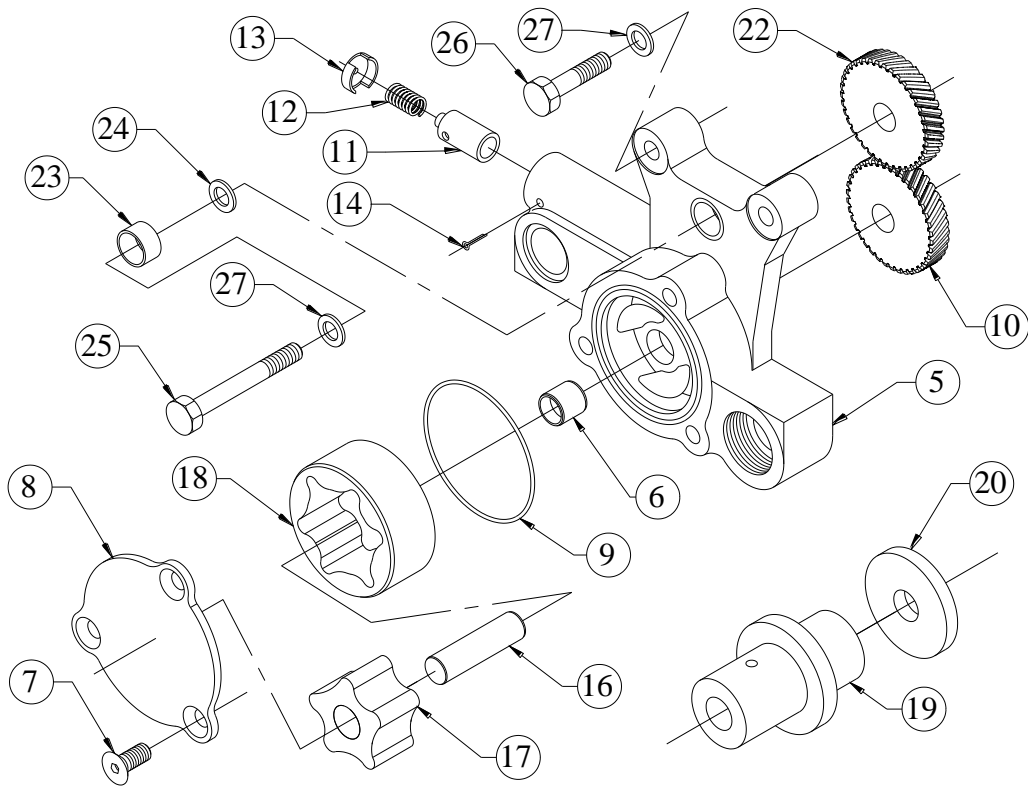
GROUP: - 6H.047



| SR.NO. | PART NO. | DESCRIPTION | QTY. | REMARKS |
|--------|----------------|--|------|------------------------------|
| 10 | 3H.005.04.0.00 | LUB.OIL PUMP DRIVING GEAR(FINISH) | 1 | NOT SUPPLIED LOOSE |
| 11 | 03.010.13.0.00 | RELIEF VALVE | 1 | NOT SUPPLIED LOOSE |
| 12 | 03.010.14.0.00 | SPRING FOR RELIEF VALVE | 1 | NOT SUPPLIED LOOSE |
| 13 | 03.010.15.0.00 | CUP FOR SPRING | 1 | NOT SUPPLIED LOOSE |
| 14 | 50.036.07.010. | SPLIT COTTER PIN - 1/8"X1-1/2" | 1 | |
| *15 | 6H.047.10.0.00 | ROTOR SUBASSLY | 1 | CONSISTING OF SR. NO.- 16,17 |
| 16 | 6H.047.02.0.00 | SHAFT FOR INNER ROTOR | 1 | NOT SUPPLIED LOOSE |
| 17 | 6H.047.03.0.00 | INNER ROTOR | 1 | NOT SUPPLIED LOOSE |
| 18 | 6H.047.04.0.00 | OUTER ROTOR | 1 | NOT SUPPLIED LOOSE |
| 19 | 4H.372.01.0.00 | SHAFT FOR LUB OIL PUMP (INTERMEDIATE GEAR) | 1 | NOT SUPPLIED LOOSE |

TITLE: - LUB OIL PUMP

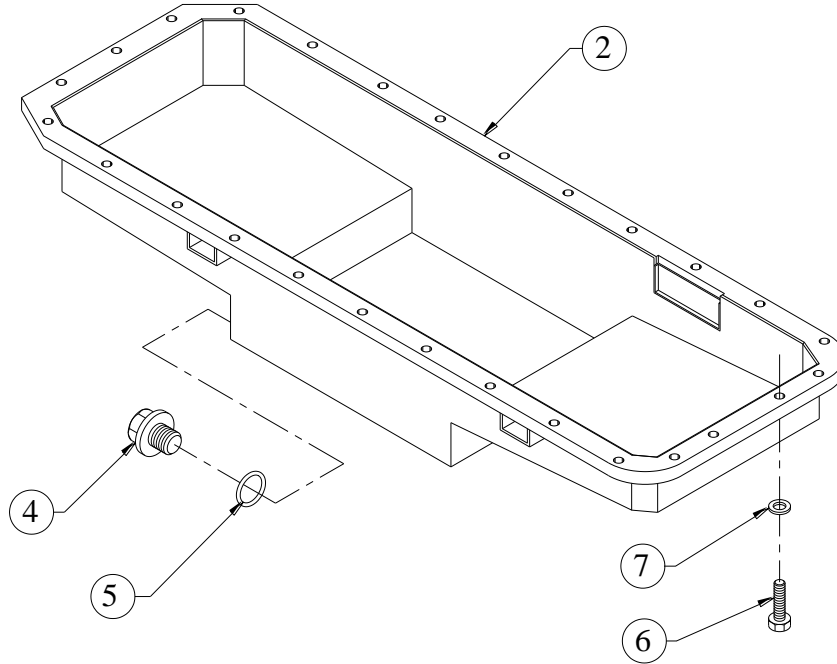
GROUP: - 6H.047



| SR.NO. | PART NO. | DESCRIPTION | QTY. | REMARKS |
|--------|----------------|---|------|------------------------------------|
| 20 | 4H.372.02.0.00 | HARD WASHER (FOR INT. GEAR) | 1 | |
| *21 | 3H.005.30.0.00 | SUB.ASSLY.OF L.O.PUMP INT.GEAR AND BUSH. | 1 | CONSISTING OF SR. NO.- 22,23 |
| 22 | 3H.005.03.0.00 | INTERMEDIATE GEAR (FOR L.O.PUMP)(FINISH) | 1 | NOT SUPPLIED LOOSE |
| 23 | 34.014.12.0.00 | BUSH FOR LEVER | 1 | |
| 24 | 02.024.38.0.00 | WASHER(ROCKER LEVER) | 1 | |
| 25 | 50.002.08.075. | SET BOLT – M8X1.25X75 – 8.8 | 1 | |
| 26 | 50.002.08.035. | SET BOLT – M8X1.25X35 – 8.8 | 2 | |
| 27 | 50.506.08.000. | PLAIN MACHINED WASHER – M8 | 3 | |
| | | | | |
| | | | | |
| | | | | |
| | | | | |
| | | | | |
| | | | | |
| | | | | |
| | | | | |

**TITLE :- LUB OIL SUMP (SHALLOW)
S.F.REDUCED WIDTH GEAR CASING**

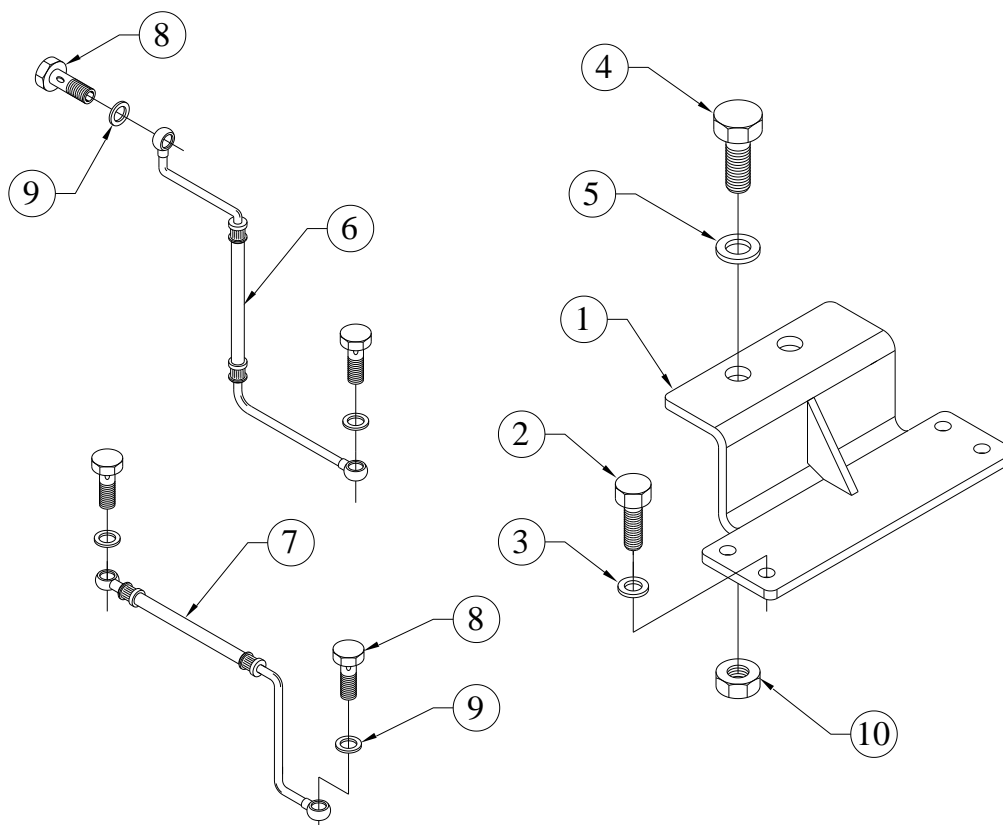
GROUP :- 6H.378



| SR.NO. | PART NO. | DESCRIPTION | QTY. | REMARKS |
|--------|----------------|--|------|------------------------------------|
| *1 | 6H.378.10.0.00 | LUB OIL SUMP ASSLY (SHALLOW) S.F.REDUCED WIDTH GEAR CASING | 1 | CONSISTING OF SR. NO.- 2 & 3 |
| 2 | 6H.378.01.0.00 | LUB OIL SUMP SHALLOW S.F.REDUCED WIDTH GEAR CASING | 1 | |
| *3 | 2H.035.20.0.00 | PLUG WITH MAGNET & 'O'RING. | 2 | CONSISTING OF SR. NO.- 4 & 5 |
| 4 | 2H.035.10.0.00 | DRAIN PLUG ASSEMBLY. | 1 | |
| 5 | F6.024.47.0.00 | O – RING | 1 | |
| 6 | 50.003.08.030 | SET SCREW - M8X1.25X30 - 8.8 | 27 | |
| 7 | 10.020.03.0.00 | HARD WASHER (F) | 27 | |
| | | | | |
| | | | | |
| | | | | |
| | | | | |
| | | | | |

**TITLE: - MOUNTING FOR FUEL FILTER
(SPIN ON) & FUEL PIPES**

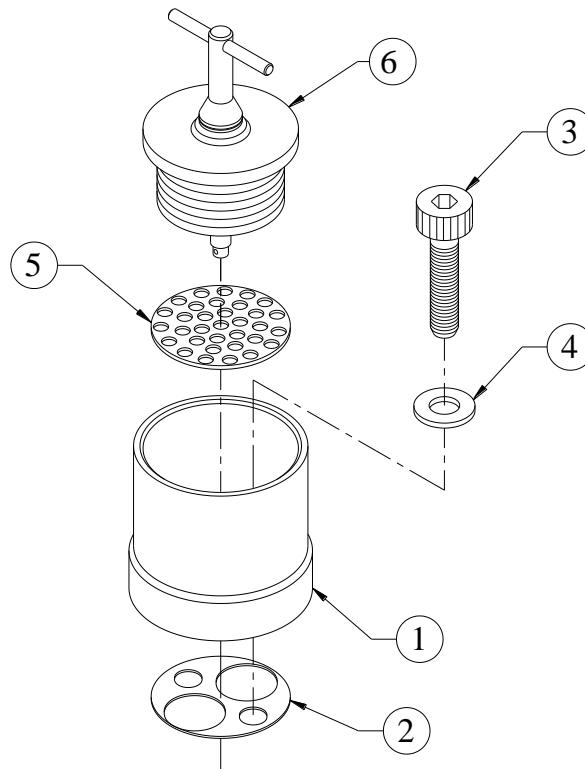
GROUP: - 6H.1146.1



| SR.NO. | PART NO. | DESCRIPTION | QTY. | REMARKS |
|--------|-----------------|---|------|---------|
| 1 | 6H.1146.01.0.00 | MOUNTING BRACKET FOR SPIN ON FILTER | 1 | |
| 2 | 50.003.08.015. | SET SCREW - M8X1.25X15 - 8.8 | 4 | |
| 3 | 50.506.08.000. | PLAIN MACHINED WASHER - M8 | 4 | |
| 4 | 50.003.12.040 | SET SCREW - M12X1.75X40 - 8.8 | 2 | |
| 5 | 50.506.12.000. | PLAIN MACHINED WASHER - M12 | 2 | |
| 6 | 6H.1146.04.0.PR | FUEL PIPE (FROM FEED PUMP TO FUEL FILTER) | 1 | |
| 7 | 6H.1146.05.0.PR | FUEL PIPE(FROM FUEL FILTER TO FUEL PUMP) | 1 | |
| 8 | 50.504.04.000. | BANJO BOLT - M14X1.5 | 4 | |
| 9 | 50.508.12.000. | COPPER WASHER (14X20) | 8 | |
| 10 | 50.006.12.000 | NUT - M12X1.75 - GR.8 | 2 | |
| | | | | |
| | | | | |
| | | | | |
| | | | | |

TITLE: - OIL FILLING BODY (FMUL)

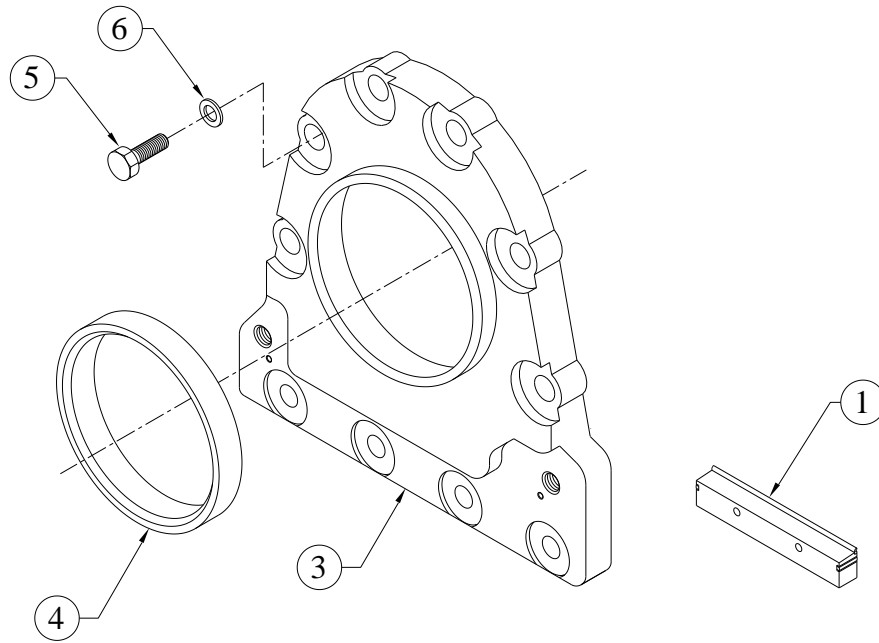
GROUP: - 3H.042.1



| SR.NO. | PART NO. | DESCRIPTION | QTY. | REMARKS |
|--------|----------------|---|------|---------|
| 1 | 3H.042.04.0.00 | OIL FILLING BODY (FMUL) | 1 | |
| 2 | 3H.042.03.0.00 | JOINT FOR OIL FILLING BODY PTL (ARMSTRONG TS13) | 1 | |
| 3 | 50.003.08.025. | SET SCREW - M8X1.25X25 - 8.8 | 2 | |
| 4 | 50.506.08.000. | PLAIN MACHINED WASHER - M8 | 2 | |
| 5 | 34.036.50.0.00 | PERFORATED DISC. | 1 | |
| 6 | 34.036.60.0.00 | CAP ASSLY | 1 | |
| | | | | |
| | | | | |
| | | | | |
| | | | | |
| | | | | |
| | | | | |
| | | | | |
| | | | | |
| | | | | |
| | | | | |
| | | | | |

TITLE: - OIL SEAL HOUSING

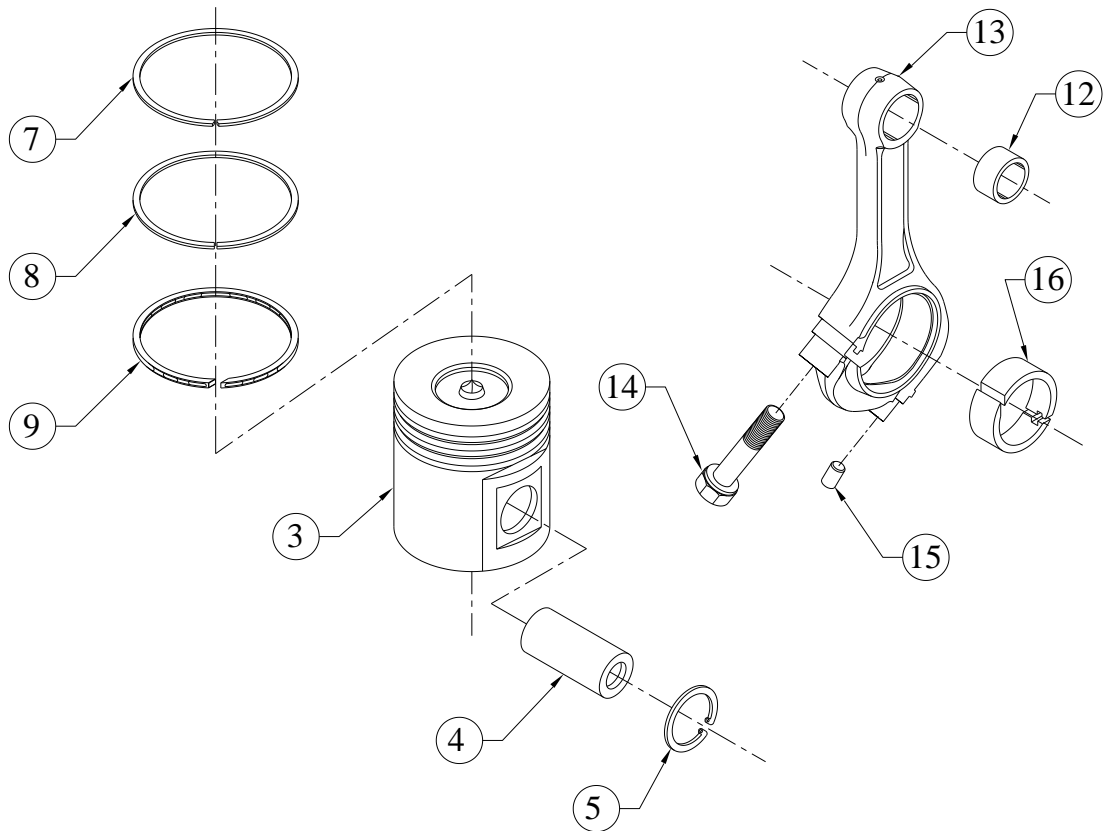
GROUP: - 6H.045.4



| SR.NO. | PART NO. | DESCRIPTION | QTY. | REMARKS |
|--------|----------------|--|------|----------------------------|
| 1 | 2H.039.10.0.00 | PLATE WITH RUBBER MOULDING (FOR FWE OIL SEAL HSG.) | 1 | |
| *2 | 6H.045.30.0.00 | SUB-ASSLY OF OIL SEAL HOUSING F.W.E. | 1 | CONSISTING OF SR. NO. 3, 4 |
| 3 | 6H.045.01.0.00 | OIL SEAL HOUSING (FWE) FINISH | 1 | |
| 4 | 03.007.06.0.00 | OIL SEAL(115X140X12) CR MAKE | 1 | |
| 5 | 50.003.08.020. | SET SCREW - M8X1.25X20 - 8.8 | 10 | |
| 6 | 50.506.08.000. | PLAIN MACHINED WASHER - M8 | 10 | |
| | | | | |
| | | | | |
| | | | | |
| | | | | |
| | | | | |
| | | | | |
| | | | | |
| | | | | |
| | | | | |

TITLE: - PISTON AND CON ROD ASSEMBLY
(TURBO, P.G.40 DIA PIN)

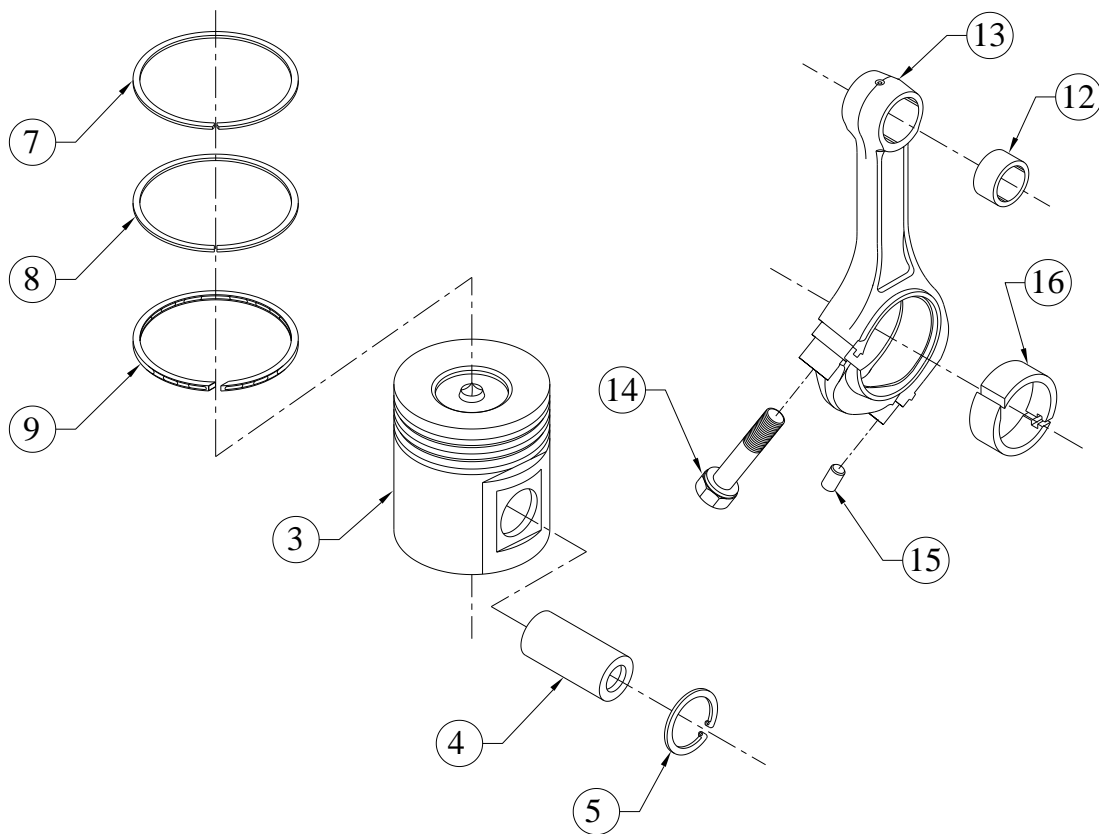
GROUP: - 4H.180.1



| SR.NO. | PART NO. | DESCRIPTION | QTY. | REMARKS |
|--------|----------------|-------------------------------------|------|---|
| *1 | 4H.180.50.0.00 | PISTON & CON. ROD ASSLY. | 1 | CONSISTING OF SR. NO. 2, 10 NOT SUPPLIED ASSEMBLY |
| *2 | 4H.180.10.0.00 | PISTON ASSEMBLY COMPLETE | 1 | CONSISTING OF SR. NO. 3 TO 6 |
| 3 | 4H.180.01.0.00 | PISTON - SUITABLE FOR 40 MM DIA.PIN | 1 | NOT SUPPLIED LOOSE |
| 4 | 4H.180.05.0.00 | PISTON PIN - 40 MM DIA. | 1 | |
| 5 | 50.502.40.000. | CIRCLIP INTERNAL - 40 MM | 2 | |
| *6 | 2H.009.30.0.00 | PISTON RING SET(105 DIA.) | 1 | CONSISTING OF SR. NO. 7 TO 9 |
| 7 | 2H.009.02.0.00 | TOP RING (105 DIA) | 1 | NOT SUPPLIED LOOSE |
| 8 | 2H.009.03.0.00 | COMPRESSION RING (105 DIA) | 1 | NOT SUPPLIED LOOSE |
| 9 | 2H.009.04.0.00 | OIL CONTROL RING (105 DIA) | 1 | NOT SUPPLIED LOOSE |

TITLE: - PISTON AND CON ROD ASSEMBLY
(TURBO, P.G.40 DIA PIN)

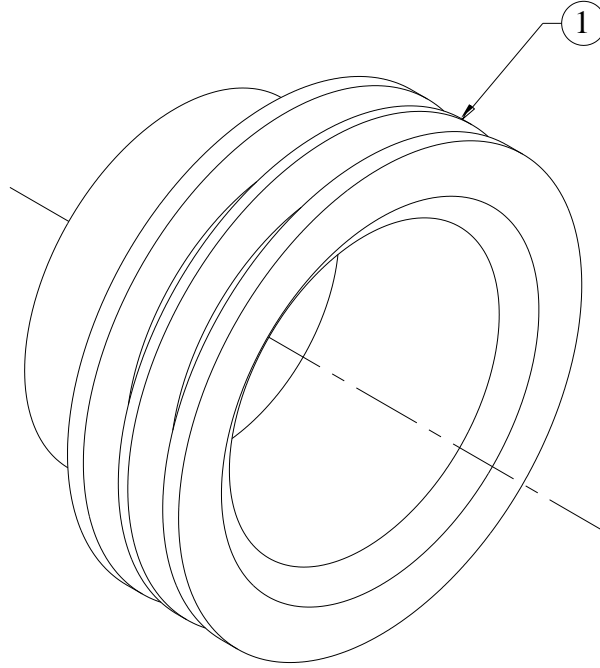
GROUP: - 4H.180.1



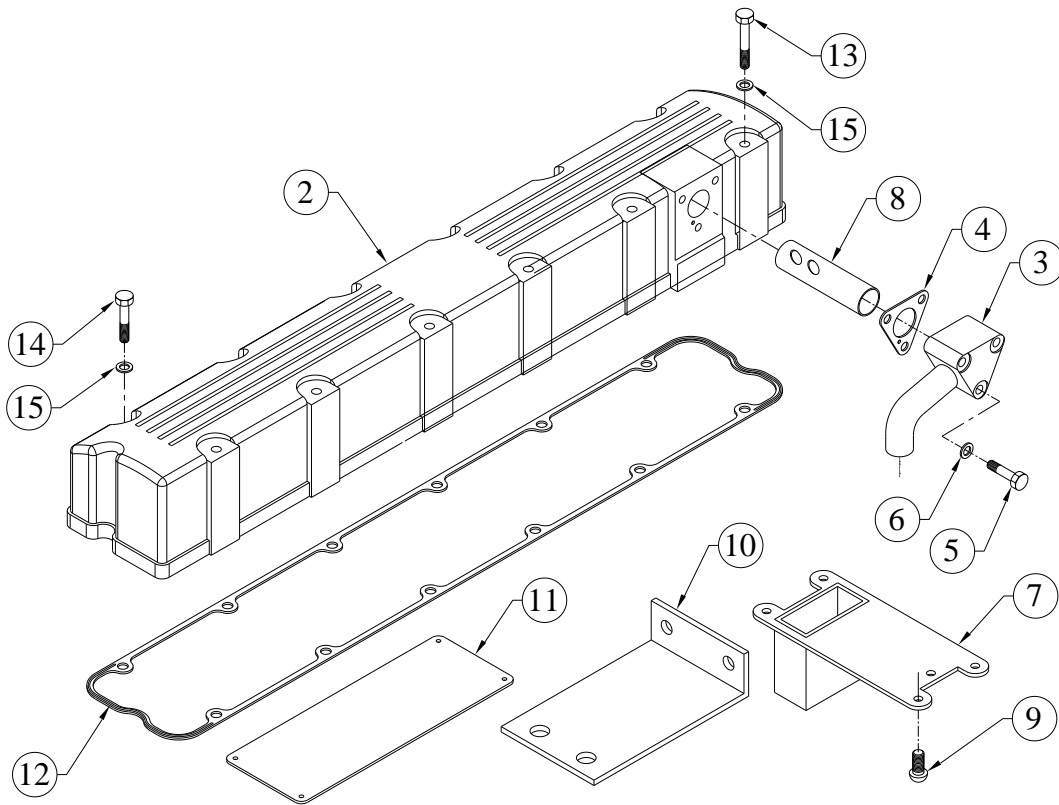
| SR.NO. | PART NO. | DESCRIPTION | QTY. | REMARKS |
|--------|----------------|---|------|--------------------------------|
| *10 | 04.692.20.0.00 | CONNECTING ROD ASSLY. (WITH LE BEARING) | 1 | CONSISTING OF SR. NO. 11, 16 |
| *11 | 04.692.10.0.00 | CONNECTING ROD ASSEMBLY | 1 | CONSISTING OF SR. NO. 12 TO 15 |
| 12 | 4H.182.02.0.00 | SMALL END BUSH (40 DIA) | 1 | |
| 13 | 04.692.01.0.00 | CONNECTING ROD | 1 | NOT SUPPLIED LOOSE |
| 14 | 04.692.03.0.00 | CONNECTING ROD BOLT | 2 | |
| 15 | 50.401.07.010. | DOWEL PIN | 2 | |
| 16 | 04.692.02.0.00 | CONNECTING ROD BIG END BEARING(TA) | 2 | NOT SUPPLIED LOOSE |
| | | | | |
| | | | | |
| | | | | |
| | | | | |
| | | | | |
| | | | | |
| | | | | |

**TITLE:- PULLEY FOR WATER PUMP SPA
SECTION, 2 GR. (120 PCD)**

GROUP:- 4H.262



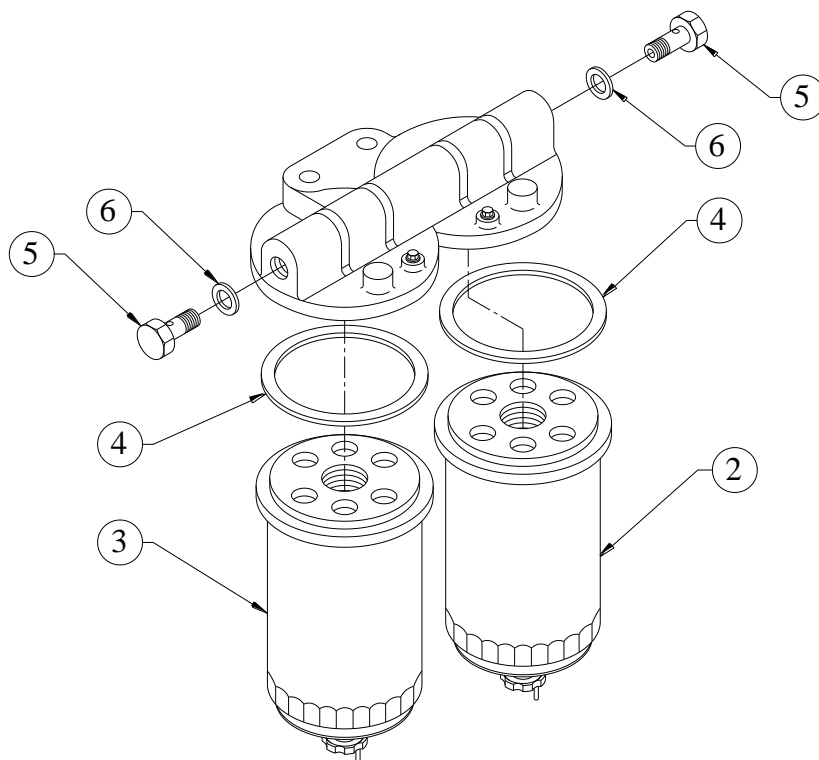
| SR.NO. | PART NO. | DESCRIPTION | QTY. | REMARKS |
|--------|----------------|---|------|---------|
| 1 | 4H.262.01.0.00 | WATER PUMP PULLEY SPA - 2 GR,120 PCD | 1 | |
| | | | | |
| | | | | |
| | | | | |
| | | | | |
| | | | | |
| | | | | |
| | | | | |
| | | | | |
| | | | | |
| | | | | |
| | | | | |
| | | | | |
| | | | | |
| | | | | |
| | | | | |
| | | | | |
| | | | | |
| | | | | |
| | | | | |
| | | | | |
| | | | | |

TITLE: - ROCKER COVER (ALUMINIUM)**GROUP: - 6H.222...EXP**

| SR.NO. | PART NO. | DESCRIPTION | QTY. | REMARKS |
|--------|----------------|--|------|------------------------------------|
| *1 | 6H.222.10.0.00 | ROCKER COVER ASSEMBLY | 1 | CONSISTING OF SR. NO. 2 & 12 TO 15 |
| 2 | 6H.222.01.0.00 | ROCKER COVER (ALLUMINIUM - SHANTI) | 1 | |
| 3 | 6H.024.10.0.PR | ADAPTOR (FOR BREATHER PIPE) | 1 | |
| 4 | 6H.024.11.0.00 | JOINT (ADAPTOR FOR BREATHER) | 1 | |
| 5 | 50.002.08.055. | SET BOLT - M8X1.25X55 - 8.8 | 3 | |
| 6 | 50.506.08.000. | PLAIN MACHINED WASHER - M8 | 3 | |
| 7 | 6H.013.05.0.00 | DEFLECTOR PLATE | 2 | |
| 8 | 6H.013.04.0.00 | BREATHER TUBE | 1 | NOT SUPPLIED LOOSE |
| 9 | 10.046.02.0.00 | P K DRIVE SCREW 1/8"X3/8" (RIVET) | 12 | |
| 10 | 6H.024.07.0.00 | BRACKET FOR BREATHER EXTENSION PIPE | 1 | |
| 11 | 6H.222.02.0.00 | COVER PLATE FOR ROCKER COVER | 1 | |
| 12 | 6H.013.15.0.00 | ROCKER COVER GASKET (RCS WITH HALF BEAD) | 1 | |

TITLE:- SPIN ON FUEL FILTER
(MICO NO F002 H20 116)

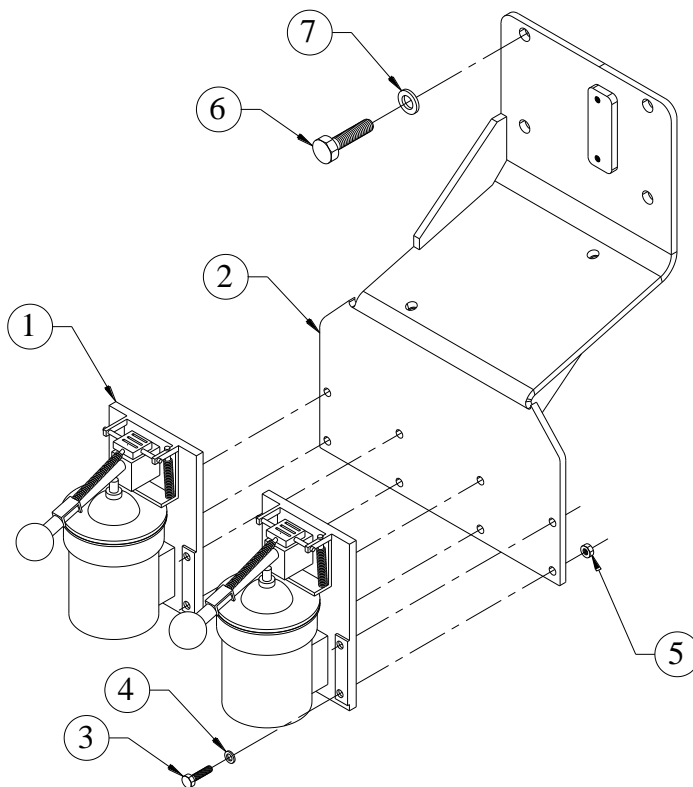
GROUP:- 3H.132



| SR.NO. | PART NO. | DESCRIPTION | QTY. | REMARKS |
|--------|----------------|---|------|------------------------------|
| *1 | 3H.132.10.0.00 | SPIN ON FUEL FILTER (TWIN BOWL, 0.6 LIT.) | 1 | CONSISTING OF SR. NO. 2 TO 4 |
| 2 | 3H.132.01.0.00 | PRIMARY ELEMENT | 1 | |
| 3 | 3H.132.02.0.00 | SECONDARY ELEMENT | 1 | |
| 4 | 3H.132.03.0.00 | SEALING RING (FUEL FILTER) | 2 | |
| 5 | 50.504.04.000. | BANJO BOLT - M14X1.5 | 2 | |
| 6 | 50.508.12.000. | COPPER WASHER (14X20) | 4 | |
| | | | | |
| | | | | |
| | | | | |
| | | | | |
| | | | | |
| | | | | |
| | | | | |
| | | | | |
| | | | | |
| | | | | |
| | | | | |
| | | | | |

**TITLE: -STARTER SOLENOID (DUMORE)
12V FOR F.F. ENGINES**

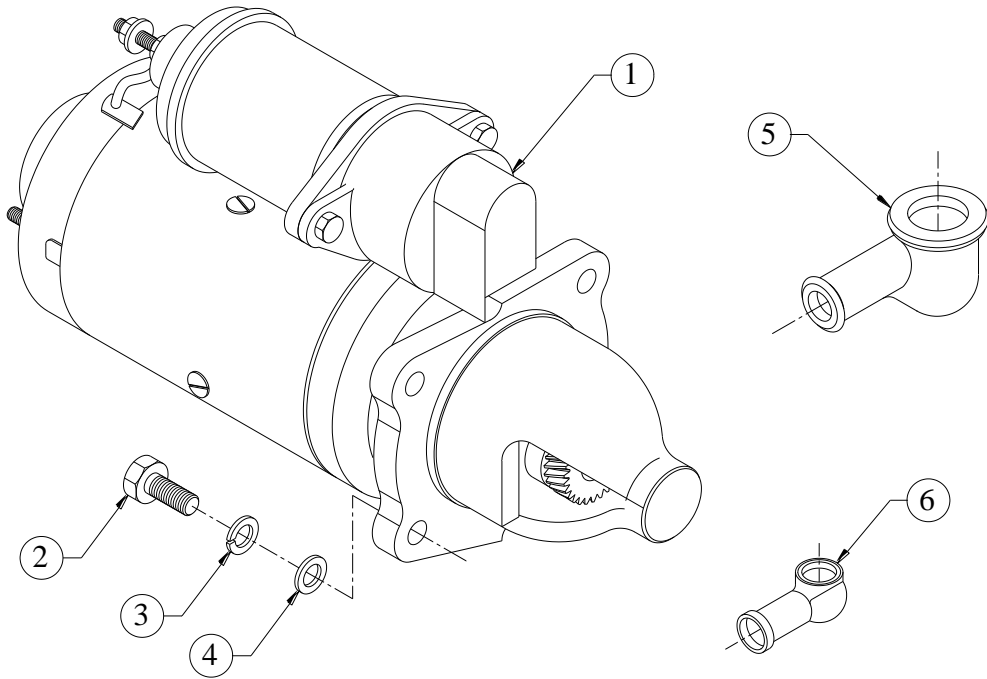
GROUP: - 4H.1347



| SR.NO. | PART NO. | DESCRIPTION | QTY. | REMARKS |
|--------|-----------------|---|------|---------|
| 1 | 4H.1347.01.0.00 | STARTER SOLENOID (DUMORE) 12V FOR F.F. ENGINES | 2 | |
| 2 | 4H.1347.04.0.00 | BRACKET FOR STARTER SOLENOID AND ELECTRONIC ACTUATOR MTG. | 1 | |
| 3 | 50.003.06.020. | SET SCREW - M6X1X20 - 8.8 | 8 | |
| 4 | 50.506.06.000. | PLAIN MACHINED WASHER - M6 | 16 | |
| 5 | 50.006.06.000. | NUT - M6X1 - GR.8.8 | 8 | |
| 6 | 50.003.10.020. | SET SCREW - M10X1.5X20 - 8.8 | 4 | |
| 7 | 50.506.10.000. | PLAIN MACHINED WASHER - M10 | 4 | |
| | | | | |
| | | | | |
| | | | | |
| | | | | |
| | | | | |
| | | | | |
| | | | | |
| | | | | |
| | | | | |
| | | | | |

TITLE: - STARTER MOTOR MICO MAKE 12V, 3KW, TYPE DE114X2012 V R (3KW) FOR 6R 1040

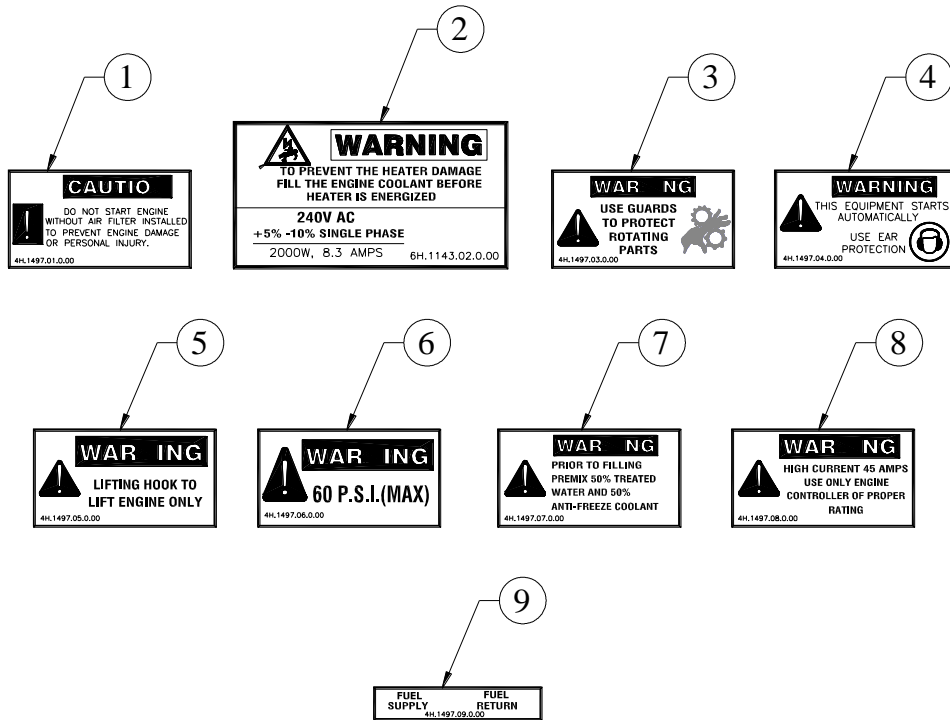
GROUP: - 6H.675



| SR.NO. | PART NO. | DESCRIPTION | QTY. | REMARKS |
|--------|----------------|--|------|---------|
| 1 | 6H.675.01.0.00 | STARTER MICO MAKE 12V, 3KW , TYPE-DE114X20 12V R (3KW) | 1 | |
| 2 | 50.003.10.030. | SET SCREW - M10X1.5X30 - 8.8 | 3 | |
| 3 | 50.505.10.000. | SPRING WASHER - M10 | 3 | |
| 4 | 50.506.10.000. | PLAIN MACHINED WASHER - M10 | 3 | |
| 5 | 24.083.01.0.00 | RUBBER SLEEVE (20DIA) | 1 | |
| 6 | 22.118.01.0.00 | RUBBER SLEEVE(12DIA) | 1 | |
| | | | | |
| | | | | |
| | | | | |
| | | | | |
| | | | | |
| | | | | |
| | | | | |
| | | | | |
| | | | | |
| | | | | |
| | | | | |
| | | | | |
| | | | | |
| | | | | |
| | | | | |
| | | | | |
| | | | | |

TITLE: - STICKERS FOR 6R ENGINES (SPP)

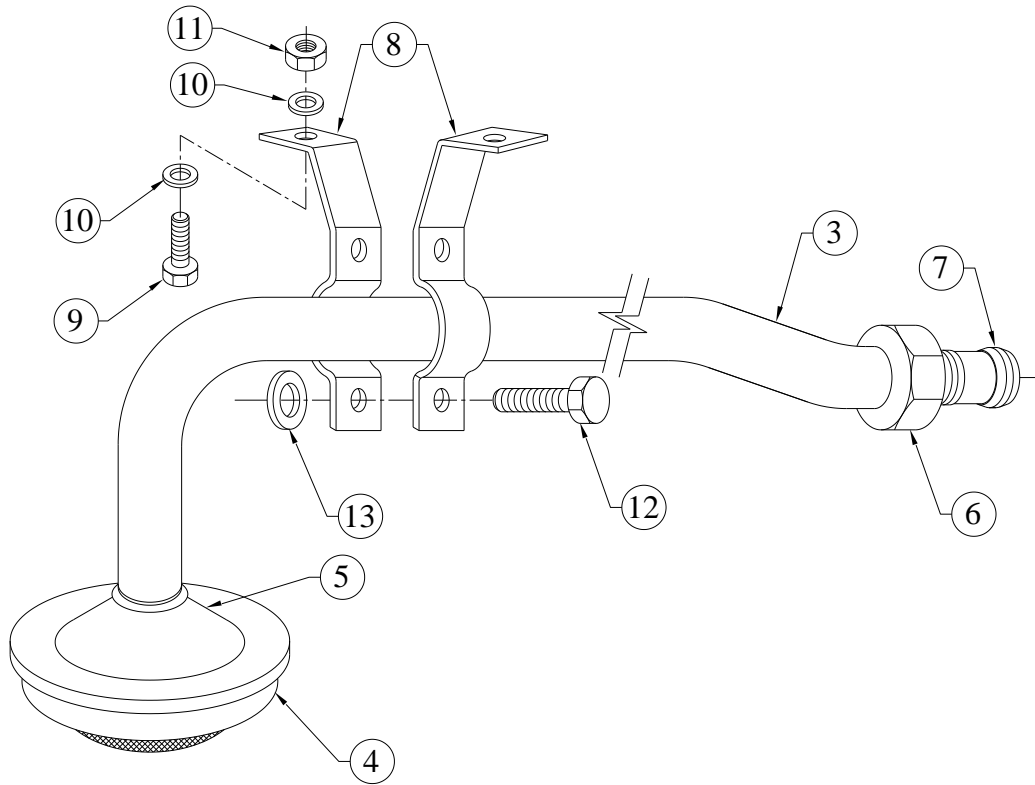
GROUP: - 6H.1143



| SR.NO. | PART NO. | DESCRIPTION | QTY. | REMARKS |
|--------|-----------------|--|------|---------|
| 1 | 4H.1497.01.0.00 | STICKER(FOR ENGINE AIR FILTER) | 2 | |
| 2 | 6H.1143.02.0.00 | STICKER(ENGINE COOLANT HEATER, 2000W) | 1 | |
| 3 | 4H.1497.03.0.00 | STICKER(FOR ENGINE ROTATING PARTS) | 2 | |
| 4 | 4H.1497.04.0.00 | STICKER(FOR SAFETY) | 1 | |
| 5 | 4H.1497.05.0.00 | STICKER(FOR ENGINE LIFTING) | 2 | |
| 6 | 4H.1497.06.0.00 | STICKER (FOR H.E. MAX. WORKING PRESSURE) | 1 | |
| 7 | 4H.1497.07.0.00 | STICKER(FOR ENGINE COOLANT MIXTURE) | 1 | |
| 8 | 4H.1497.08.0.00 | STICKER(FOR ENGINE ALTERNATOR) | 1 | |
| 9 | 4H.1497.09.0.00 | STICKER(FOR ENGINE FUEL LINE) | 1 | |
| | | | | |
| | | | | |
| | | | | |
| | | | | |
| | | | | |

TITLE: - SUCTION TUBE

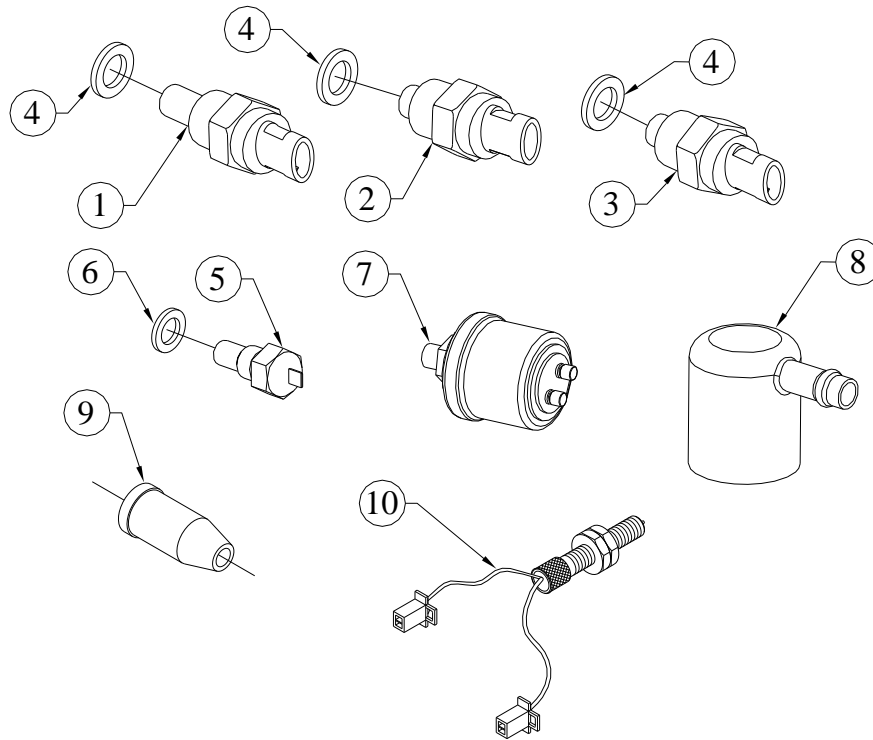
GROUP: - 6H.006



| SR.NO. | PART NO. | DESCRIPTION | QTY. | REMARKS |
|--------|----------------|------------------------------|------|--------------------------------|
| *1 | 6H.006.10.0.00 | SUCTION TUBE ASSEMBLY. | 1 | CONSISTING OF SR.NO. 2,6 TO 11 |
| *2 | 6H.006.20.0.00 | SUCTION TUBE SUB.ASSEMBLY. | 1 | CONSISTING OF SR.NO. 3 TO 5 |
| 3 | 6H.006.01.0.00 | PIPE(FOR SUCTION TUBE) | 1 | |
| 4 | 04.011.03.0.00 | STRAINER BASKET | 1 | |
| 5 | 06.008.05.0.00 | FUNNEL | 1 | |
| 6 | 06.008.02.0.00 | UNION SCREW | 1 | |
| 7 | 06.008.03.0.00 | DOUBLE CONE RING | 1 | |
| 8 | 06.008.04.0.00 | CLAMPING STRAP | 2 | |
| 9 | 50.003.06.012. | SET SCREW - M6X1X12 - 8.8 | 2 | |
| 10 | 50.506.06.000. | PLAIN MACHINED WASHER - M6 | 4 | |
| 11 | 50.006.06.000. | NUT - M6X1 - GR.8 | 2 | |
| 12 | 50.003.08.016. | SET SCREW - M8X1.25X16 - 8.8 | 2 | |
| 13 | 50.506.08.000. | PLAIN MACHINED WASHER - M8 | 2 | |
| | | | | |
| | | | | |
| | | | | |

**TITLE: -TEMPRATURE SWITCH & SENSORS
FOR FM/UL ENGINE CE MARK**

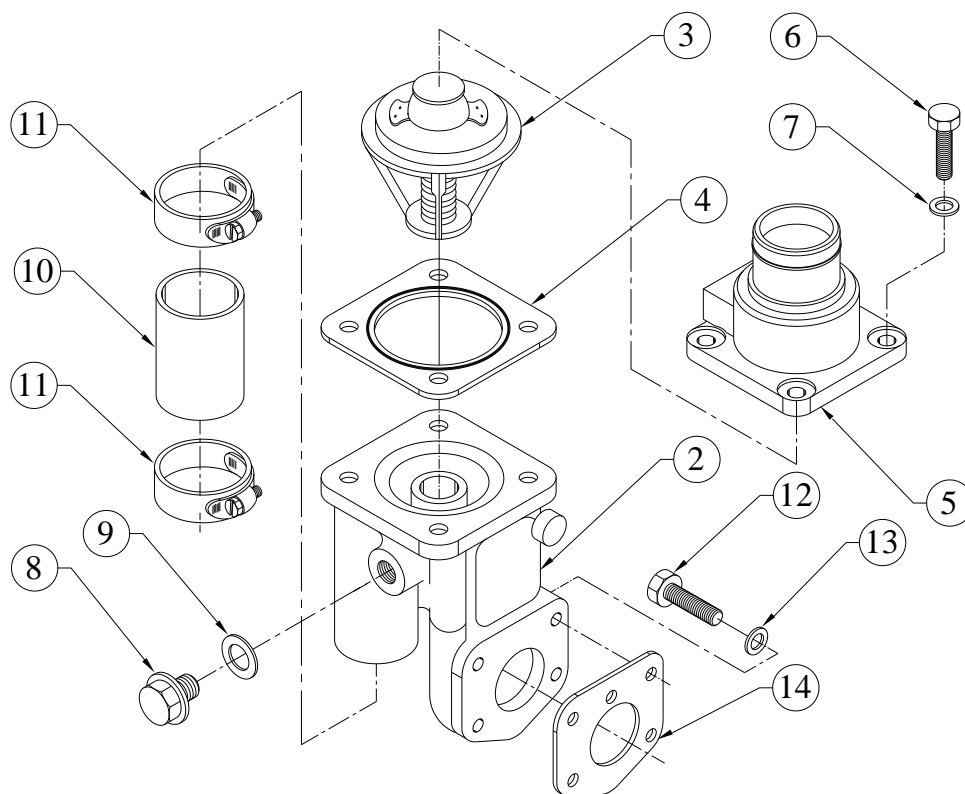
GROUP: -F6.906.1



| SR.NO. | PART NO. | DESCRIPTION | QTY. | REMARKS |
|--------|----------------|--|------|---------|
| 1 | F6.906.70.0.PR | LOW ENGINE COOLANT TEMPERATURE SWITCH | 1 | |
| 2 | F6.906.71.0.PR | RAW WATER HIGH TEMPRATURE SWITCH | 1 | |
| 3 | F6.906.72.0.PR | ENGINE COOLANT TEMPRATURE SWITCH | 1 | |
| 4 | 50.508.28.000 | COPPER WASHER (24X32) | 3 | |
| 5 | 46.085.02.0.00 | SENSOR UNIT (FOR ELEC TEMP GAUGE) | 1 | |
| 6 | 50.508.11.000 | COPPER WASHER (14X18) | 1 | |
| 7 | 2H.092.11.0.00 | LUBE OIL PRESSURE SENDOR, (SENSOR + SWITCH), VDO SIEMENCE (INDIA), 2 TERMINAL, BODY GROUND WITH IMPORTED BOBBIN ASSEMBLY | 1 | |
| 8 | 46.252.02.0.00 | RUBBER SLEEVE 38X10 FOR PR GAUGE SENDOR | 1 | |
| 9 | 3H.905.05.0.00 | RUBBER SLEEVE FOR TEMP.SWITCH / SENSOR | 3 | |

TITLE: - THERMOSTAT AND HOUSING ASSEMBLY (USA)

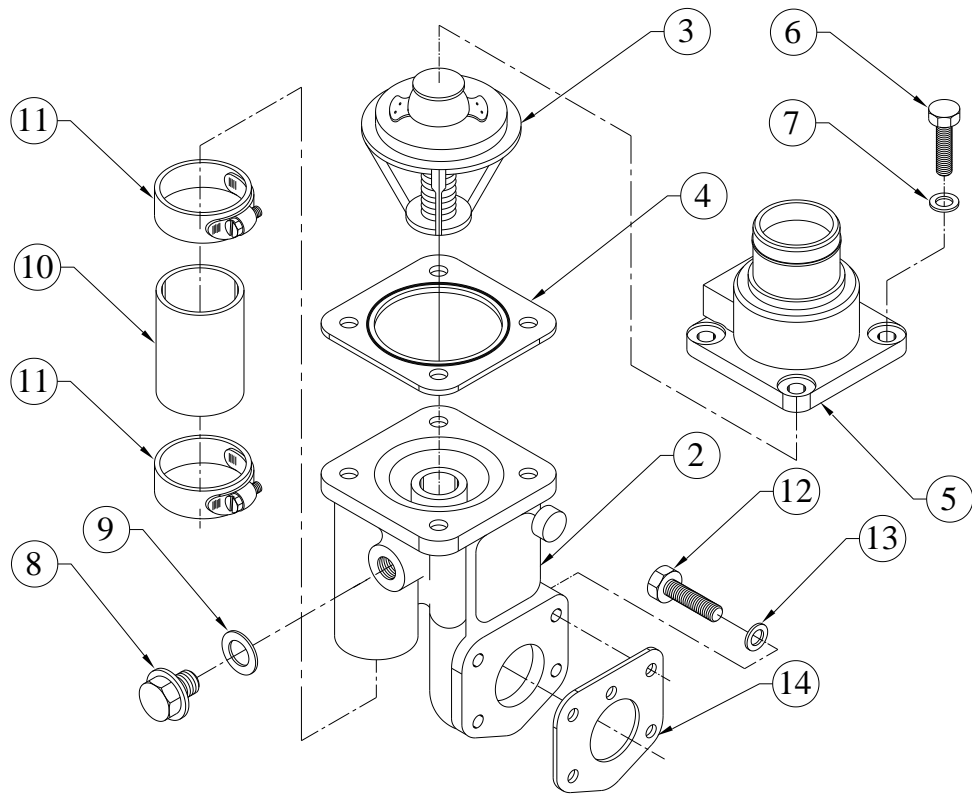
GROUP: - 4H.096...EXP



| SR.NO. | PART NO. | DESCRIPTION | QTY. | REMARKS |
|--------|----------------|--|------|---|
| *1 | 4H.096.20.0.00 | THERMOSTAT AND HOUSING ASSEMBLY (NON ASBESTOS JOINT) | 1 | CONSISTING OF SR. NO. 3 TO 7 AND 10 TO 13 |
| 2 | 4H.053.01.0.00 | THERMOSTAT HOUSING | 1 | |
| 3 | 39.040.09.0.00 | THERMOSTAT ELEMENT (74 DEG) - WTIL NO.DEV358 | 1 | |
| 4 | 4H.053.08.0.00 | JOINT FOR THERMOSTAT COVER (METTALIC) | 1 | |
| 5 | 4H.096.03.0.00 | THERMOSTAT COVER | 1 | |
| 6 | 50.003.08.025 | SET SCREW - M8X1.25X25 - 8.8 | 4 | |
| 7 | 50.506.08.000 | PLAIN MACHINED WASHER - M8 | 4 | |
| 8 | 50.602.14.000 | PLUG (M14X1.5) | 1 | |
| 9 | 50.508.12.000. | COPPER WASHER (14X20) | 1 | |
| 10 | 4H.023.02.0.00 | THERMOSTAT BYPASS HOSE | 1 | |
| 11 | 2H.112.02.0.00 | WORM DRIVE CLAMP (JUPITOR JW7B13, 29 TO 45 DIA) | 2 | |
| 12 | 50.003.08.025 | SET SCREW - M8X1.25X25 - 8.8 | 4 | |
| 13 | 50.506.08.000 | PLAIN MACHINED WASHER - M8 | 4 | |

TITLE: - THERMOSTAT AND HOUSING ASSEMBLY (USA)

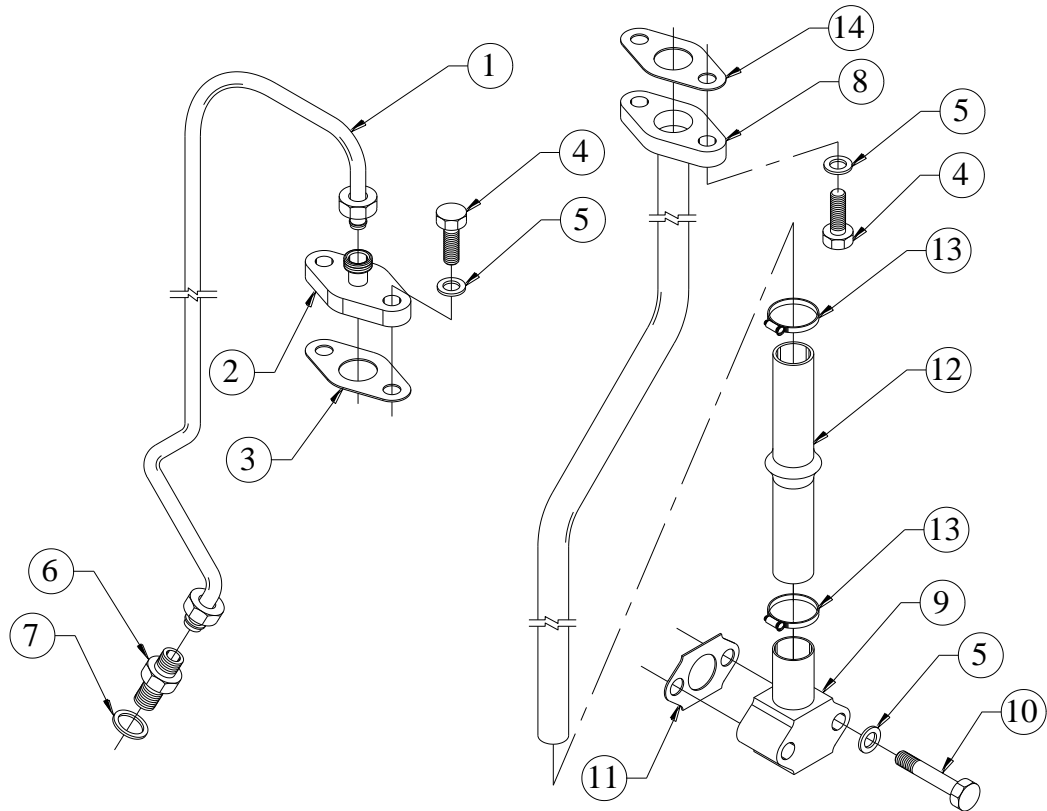
GROUP: - 4H.096...EXP



| SR.NO. | PART NO. | DESCRIPTION | QTY. | REMARKS |
|--------|----------------|------------------------------|------|---------|
| 14 | 4H.053.11.0.00 | JOINT FOR THERMOSTAT HOUSING | 1 | |
| | | | | |
| | | | | |
| | | | | |
| | | | | |
| | | | | |
| | | | | |
| | | | | |
| | | | | |
| | | | | |
| | | | | |
| | | | | |
| | | | | |
| | | | | |
| | | | | |
| | | | | |
| | | | | |
| | | | | |
| | | | | |
| | | | | |

TITLE: - TURBO LUB OIL PIPING (FOR K27)

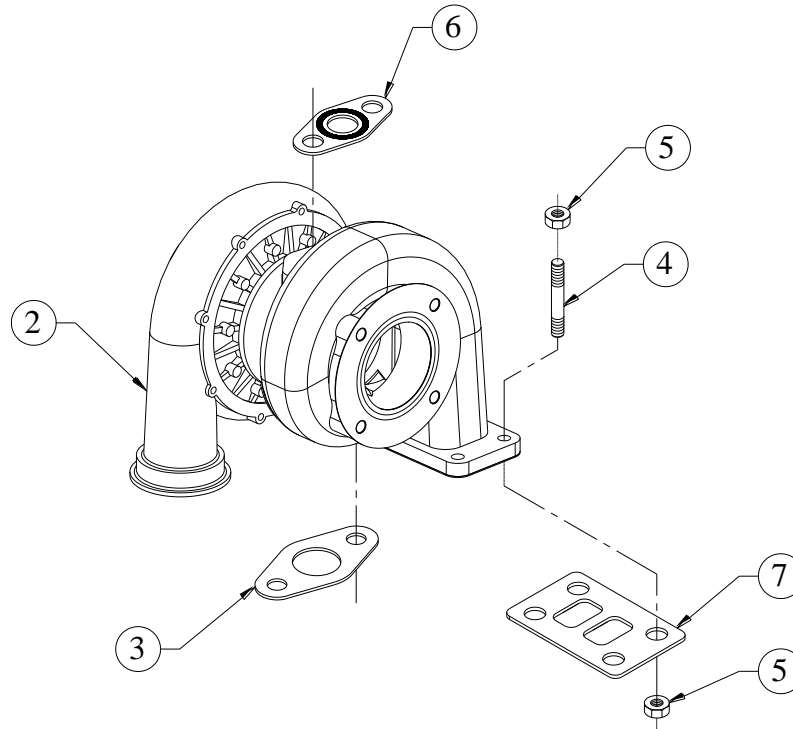
GROUP:- 6H.141.2



| SR.NO. | PART NO. | DESCRIPTION | QTY. | REMARKS |
|--------|----------------|--|------|---------|
| 1 | 6H.141.10.0.00 | LUB OIL INLET PIPE ASSLY.(K27) | 1 | |
| 2 | 4H.132.02.0.00 | ADAPTOR (TURBOCHARGER SIDE) | 1 | |
| 3 | 4H.132.27.0.00 | JOINT FOR ADAPTOR (TURBO SIDE) | 1 | |
| 4 | 50.003.08.025. | SET SCREW - M8X1.25X25 - 8.8 | 4 | |
| 5 | 50.506.08.000. | PLAIN MACHINED WASHER - M8 | 6 | |
| 6 | 6H.034.03.0.00 | ADAPTOR FOR OIL PIPE | 1 | |
| 7 | 50.508.14.000. | COPPER WASHER (16X22) | 2 | |
| 8 | 4H.527.30.0.00 | LUB OIL DRAIN PIPE ASSEMBLY | 1 | |
| 9 | 4H.132.13.0.00 | ADAPTOR ASSEMBLY FOR TURBO DRAIN (CRANKCASE SIDE) | 1 | |
| 10 | 50.002.08.045. | SET BOLT - M8X1.25X45 - 8.8 | 2 | |
| 11 | 4H.132.31.0.00 | JOINT FOR ADAPTOR CRANKCASE SIDE | 1 | |
| 12 | 4H.366.08.0.00 | HOSE (FOR TURBO DRAIN PIPE 170 MM) | 1 | |
| 13 | 50.519.06.000. | HOSE CLIP (30 MM) For 48.019.02.0.00, 40.149.02.0.00 | 2 | |
| 14 | 6H.141.04.0.00 | JOINT FOR LUB OIL DRAIN (K27) | 1 | |

**TITLE: - TURBOCHARGER FOR 6RTA SPP
ENGINE**

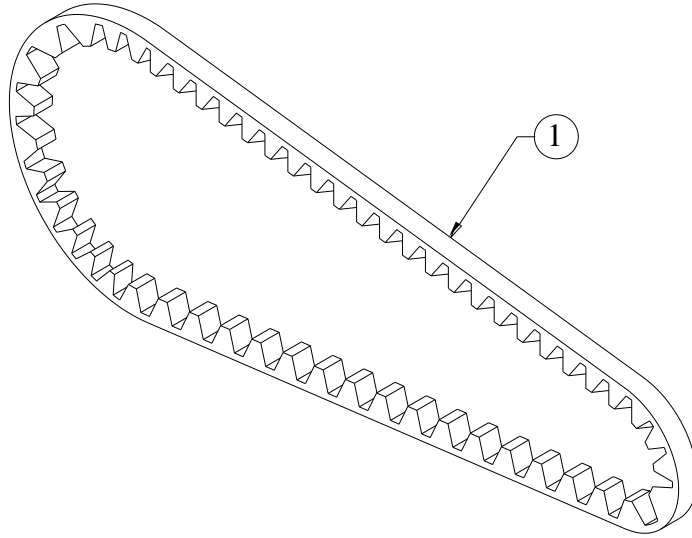
GROUP: - 6H.1135



| SR.NO. | PART NO. | DESCRIPTION | QTY. | REMARKS |
|--------|-----------------|---|------|-----------------------------------|
| *1 | 6H.1135.10.0.00 | TURBOCHARGER ASSEMBLY (6R SPP) | 1 | CONSISTING OF SR. NO 2 TO 7 |
| 2 | 6H.1135.01.0.00 | TURBOCHARGER FOR 6R1080TA SPP FIREFIGHTING PUMP APPLICATION (K27.2 3371 OLAKE 15.21) | 1 | |
| 3 | F6.169.31.0.00 | JOINT FOR OIL RETURN PIPE TURBOCHARGER (NON ASBESTOS) | 2 | |
| 4 | F6.377.11.0.00 | STUD M8 (COPPER COATED) | 6 | |
| 5 | 50.080.08.000. | NUT (SS) - M8x1.25 | 6 | |
| 6 | F6.169.32.0.00 | JOINT FOR OIL SUPPLY TURBOCHARGER (NON ASBESTOS) | 1 | |
| 7 | F6.377.09.0.00 | JOINT FOR TURBO INLET | 1 | |
| | | | | |
| | | | | |
| | | | | |

TITLE:- V BELT XPA1280

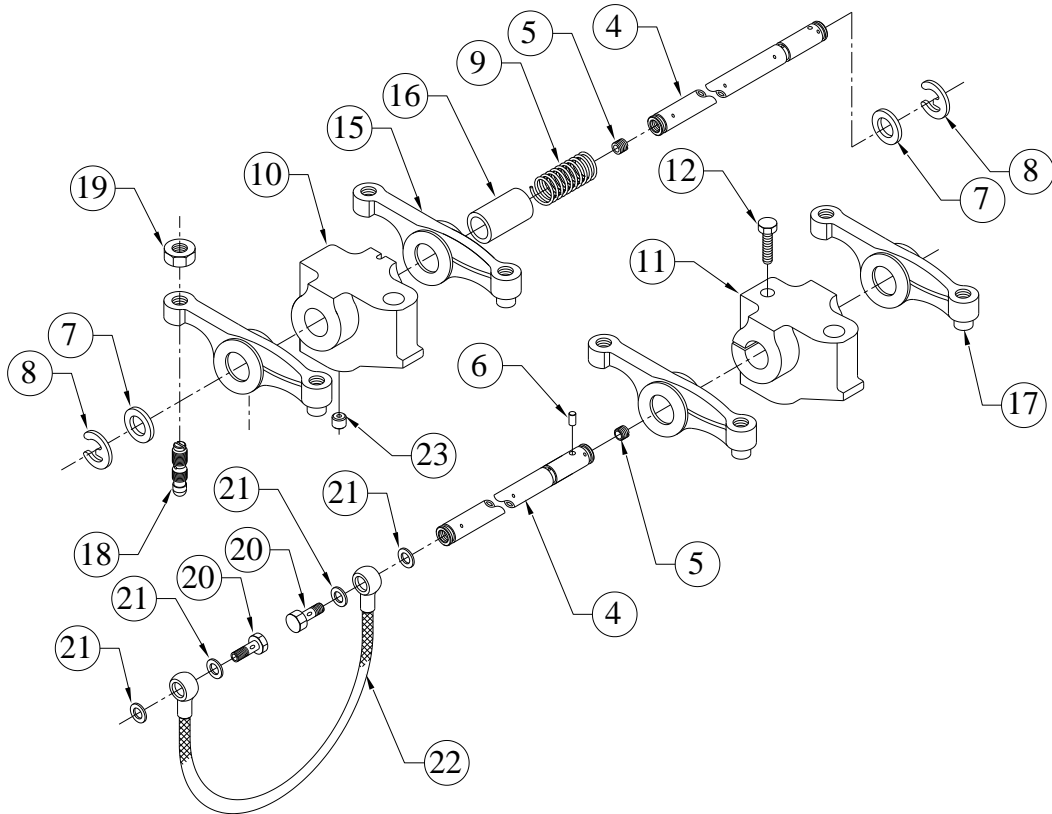
GROUP:- 4H.692



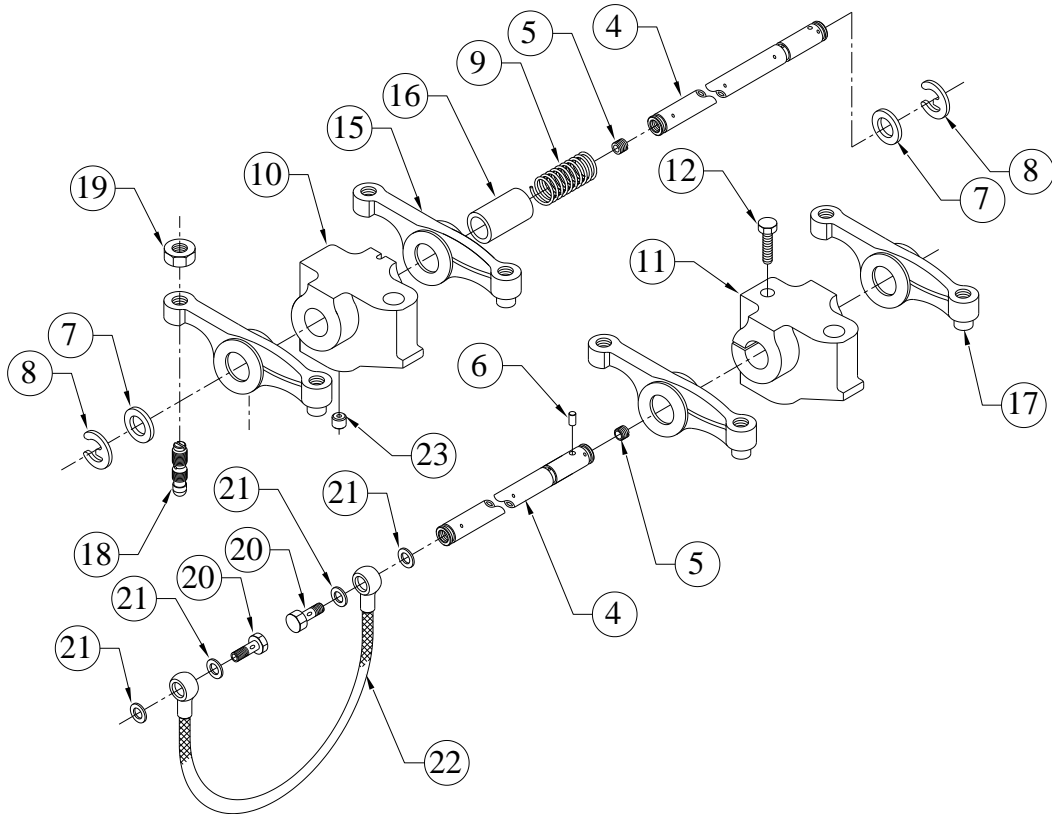
| SR.NO. | PART NO. | DESCRIPTION | QTY. | REMARKS |
|--------|----------------|-----------------|------|---------|
| 1 | 4H.692.01.0.00 | V BELT XPA 1280 | 1 | |
| | | | | |
| | | | | |
| | | | | |
| | | | | |
| | | | | |
| | | | | |
| | | | | |
| | | | | |
| | | | | |
| | | | | |
| | | | | |
| | | | | |
| | | | | |
| | | | | |
| | | | | |
| | | | | |
| | | | | |
| | | | | |
| | | | | |
| | | | | |

TITLE: - VALVE ROCKER ASSLY

GROUP: - 6H.012.2



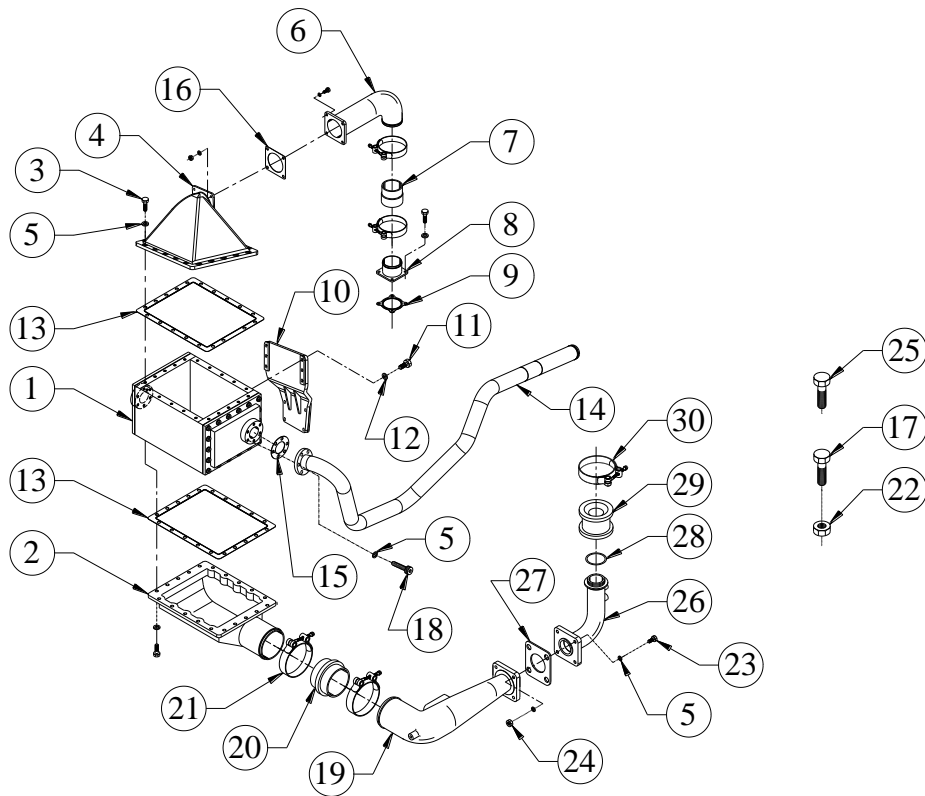
| SR.NO. | PART NO. | DESCRIPTION | QTY. | REMARKS |
|--------|-----------------|-----------------------------------|------|------------------------------------|
| *1 | 6H.012.140.0.00 | ROCKER SHAFT ASSEMBLY (COMPLETE) | 1 | CONSISTING OF SR. NO. 2 & 20 TO 22 |
| *2 | 6H.012.130.0.00 | VALVE ROCKER ASSEMBLY | 2 | CONSISTING OF SR. NO. 3 & 7 TO 13, |
| *3 | 6H.012.120.0.00 | ROCKER SHAFT SUBASSLY | 1 | CONSISTING OF SR. NO. 4 TO 6 |
| 4 | 3H.010.05.0.00 | ROCKER SHAFT (WITHOUT OIL GROOVE) | 1 | |
| 5 | 50.022.12.010. | SOCKET HEAD GRUB SCREW - M12X10 | 2 | |
| 6 | 4H.008.04.0.00 | GROOVED SOCKET PIN | 1 | |
| 7 | 2H.022.04.0.00 | WASHER(FOR ROCKER ARM) | 2 | |
| 8 | 50.513.15.000. | E TYPE CIRCLIP-EXTERNAL(15 DIA.) | 2 | |
| 9 | 4H.1433.05.0.00 | SPRING (FOR VALVE ROCKER SHAFT) | 2 | |
| 10 | 3H.010.04.0.00 | ROCKER SUPPORT (F.W.E.) | 1 | |

TITLE: - VALVE ROCKER ASSLY**GROUP: - 6H.012.2**

| SR.NO. | PART NO. | DESCRIPTION | QTY. | REMARKS |
|--------|-----------------|------------------------------|------|--|
| 11 | 4H.1433.03.0.00 | ROCKER SUPPORT | 2 | |
| 12 | 50.003.08.030. | SET SCREW - M8X1.25X30 - 8.8 | 2 | |
| *13 | 4H.1433.20.0.00 | ROCKER LEVER SUB ASSLY | 6 | CONSISTING OF SR. NO. 14, 17 TO 19, |
| *14 | 4H.1433.10.0.00 | ROCKER LEVER ASSEMBLY | 1 | CONSISTING OF SR. NO. 15, 16, NOT SUPPLIED LOOSE |
| 15 | 4H.1433.01.0.00 | ROCKER ARM (FINISH) | 1 | NOT SUPPLIED LOOSE |
| 16 | 02.024.12.9.00 | V.R. BUSH (SEMI FINISH) | 1 | NOT SUPPLIED LOOSE |
| 17 | 02.024.15.0.00 | V.R.TOE | 1 | NOT SUPPLIED LOOSE |
| 18 | 02.024.13.0.00 | ROCKER-ARM ADJ. SCREW | 1 | |
| 19 | 02.024.27.0.00 | NUT FOR ROCKER ADJ.SCREW | 1 | |
| 20 | 6H.012.02.0.00 | BANJO BOLT | 2 | |
| 21 | 50.508.10.0.00 | COPPER WASHER (12X18) | 4 | |

TITLE: - WATER COOLED CAC AND MOUNTING FOR F.F. ENGINES

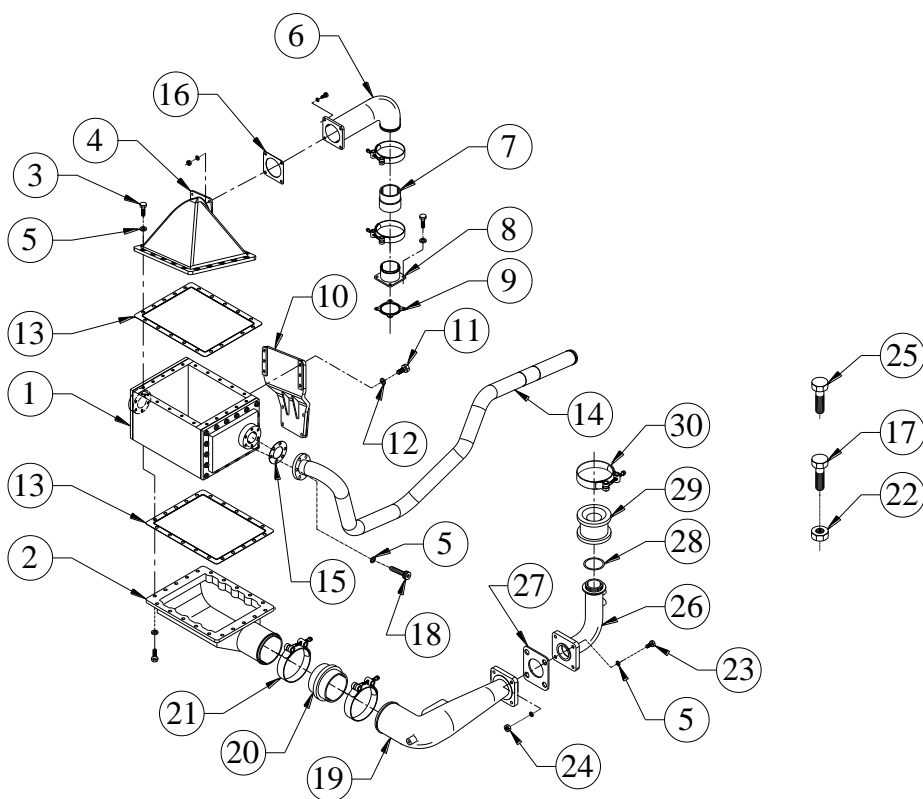
GROUP: - 6H.1142



| SR.NO. | PART NO. | DESCRIPTION | QTY. | REMARKS |
|--------|-----------------|---|------|---------|
| 1 | 6H.1142.01.0.00 | WATER COOLED CAC FOR 6R1080TA ENGINE(FIRE FIGHTING) | 1 | |
| 2 | F6.840.02.0.00 | AIR SIDE COVER (FOR CAC IN) | 1 | |
| 3 | 50.003.08.020. | SET SCREW - M8X1.25X20 - 8.8 | 52 | |
| 4 | F6.840.03.0.00 | AIR SIDE COVER (FOR CAC OUT) | 1 | |
| 5 | 50.506.08.000. | PLAIN MACHINED WASHER - M8 | 52 | |
| 6 | 6H.1242.02.0.00 | AIR INLET BEND(FOR CAC OUT) | 1 | |
| 7 | 6H.1142.07.0.00 | HOSE(AIR OUTLET COVER TO INLET BEND) | 1 | |
| 8 | 6H.1142.08.0.00 | AIR INLET ADAPTOR | 1 | |
| 9 | 6H.058.02.0.00 | JOINT FOR AIR PIPE | 1 | |
| 10 | 6H.1142.09.0.00 | BRACKET FOR CAC MOUNTING | 1 | |
| 11 | 50.003.10.030. | SET SCREW - M10X1.5X30 - 8.8 | 8 | |
| 12 | 50.506.10.000. | PLAIN MACHINED WASHER - M10 | 20 | |
| 13 | F6.840.06.0.00 | JOINT FOR AIR DELIVERY BEND | 2 | |
| 14 | 6H.1142.12.0.PR | RAW WATER PIPE (CAC TO H.E.) | 1 | |
| 15 | F6.993.13.0.00 | JOINT (FOR RAW WATER INLET/OUTLET) | 2 | |
| | | | | |

TITLE: - WATER COOLED CAC AND MOUNTING FOR F.F. ENGINES

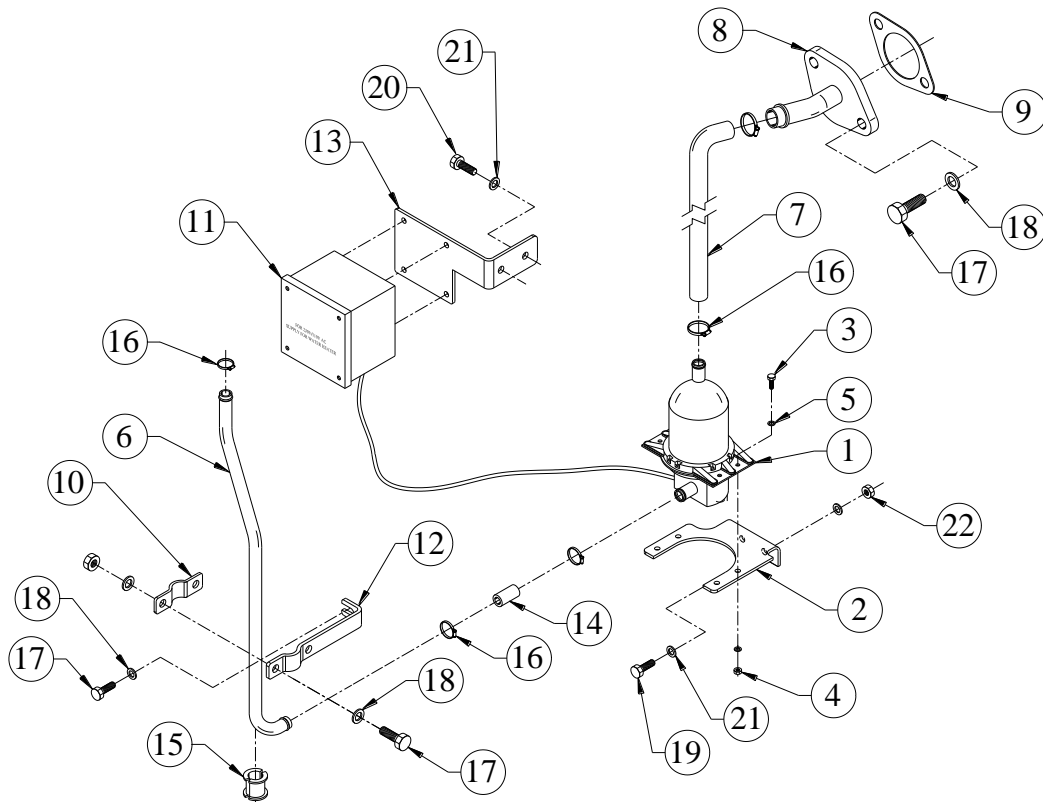
GROUP: - 6H.1142



| SR.NO. | PART NO. | DESCRIPTION | QTY. | REMARKS |
|--------|-----------------|---|------|---------|
| 16 | F6.674.04.0.00 | JOINT FOR AIR INLET MANIFOLD OUTLET | 1 | |
| 17 | 50.003.10.040. | SET SCREW - M10X1.5X40 - 8.8 | 4 | |
| 18 | 50.011.08.025. | SOCKET HEAD SCREW - M8X1.25X25 - 8.8 | 12 | |
| 19 | 6H.1142.04.0.00 | AIR DELIVERY PIPE(T/C TO CAC) | 1 | |
| 20 | F6.840.16.0.00 | HOSE AT CAC IN (100 ID X 100 ID X 80 LENGTH) | 1 | |
| 21 | 48.305.08.0.00 | JUPITER WORM DRIVE CLAMP, TYPE JW 7B16, 110 mm DIA(S/F 110mm HOSE O.D.) | 2 | |
| 22 | 50.006.10.000. | NUT - M10X1.5 - GR.8.8 | 4 | |
| 23 | 50.003.08.030. | SET SCREW - M8X1.25X30 - 8.8 | 4 | |
| 24 | 50.006.08.000. | NUT- M8X1.25 - GR.8.8 | 2 | |
| 25 | 50.003.10.025. | SET SCREW - M10X1.5X25 - 8.8 | 2 | |
| 26 | F6.889.04.0.00 | AIR DELIVERY BEND FOR 200 KVA | 1 | |
| 27 | F6.377.15.0.00 | JOINT IN BETWEEN AIR DELIVERY MAINPIPE AND BEND | 1 | |
| 28 | F6.889.05.0.PR | O'RING (FOR K27 TURBO OUTLET) | 1 | |

**TITLE: - WATER HEATER AND MOUNTING
(KIM HOTSTART)**

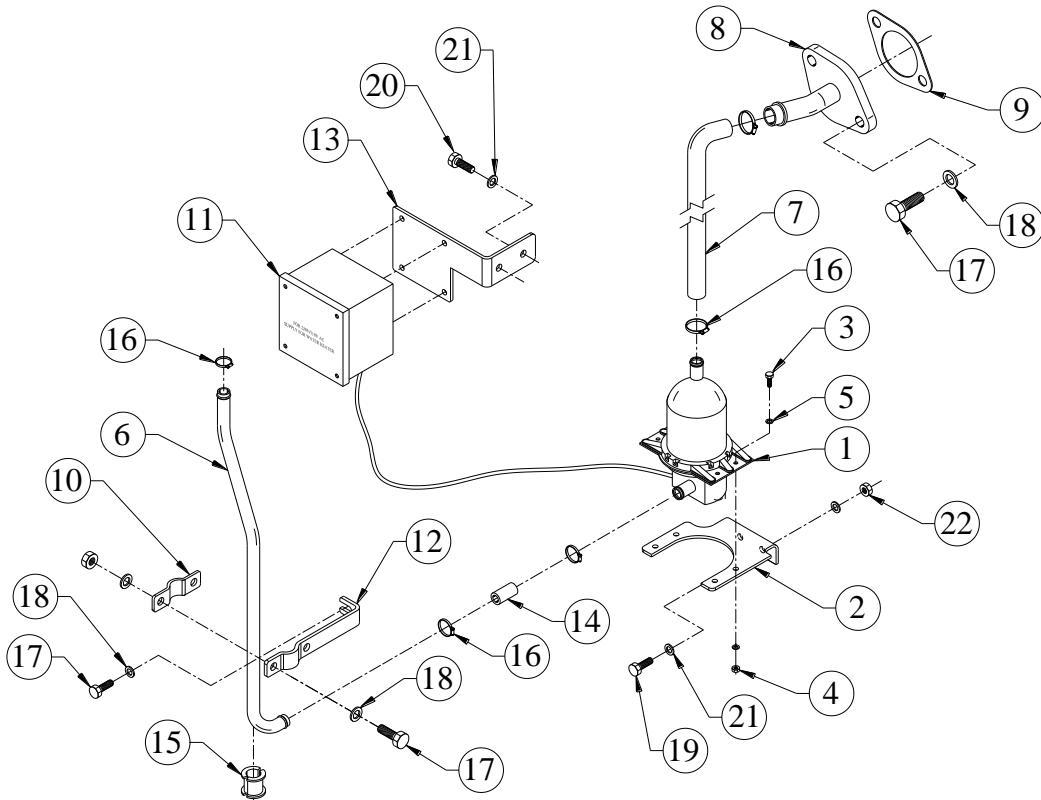
GROUP: - 6H.1144



| SR.NO. | PART NO. | DESCRIPTION | QTY. | REMARKS |
|--------|-----------------|---|------|---------|
| 1 | F6.482.01.0.00 | WATER HEATER(KIM HOTSTART, TPS202GT12-006, 2.0kW, 240V) | 1 | |
| 2 | 6H.1144.01.0.00 | BRACKET (FOR WATER HEATER MTG) | 1 | |
| 3 | 50.003.06.020. | SET SCREW - M6X1X20 - 8.8 | 8 | |
| 4 | 50.006.06.000. | NUT - M6X1 - GR.8.8 | 8 | |
| 5 | 50.506.06.000. | PLAIN MACHINED WASHER - M6 | 16 | |
| 6 | 6H.1144.03.0.00 | WATER INLET PIPE (FOR HEATER) | 1 | |
| 7 | 4H.1355.13.0.PR | RUBBER HOSE (FOR WATER HEATER) | 1 | |
| 8 | 4H.1355.12.0.PR | ADAPTOR ON CYLINDER HEAD (FOR WATER HEATER INLET) | 1 | |
| 9 | 4H.022.11.0.00 | JOINT FOR WATER OUTLET MANIFOLD | 1 | |
| 10 | 4H.1355.08.0.00 | CLAMP FOR WATER HEATER PIPE | 1 | |
| 11 | F6.984.10.0.00 | TERMINAL BOX WITH PHONIX MAKE UK10 TERMINAL ASSEMBLY FOR WATER HEATER | 1 | |

**TITLE: - WATER HEATER AND MOUNTING
(KIM HOTSTART)**

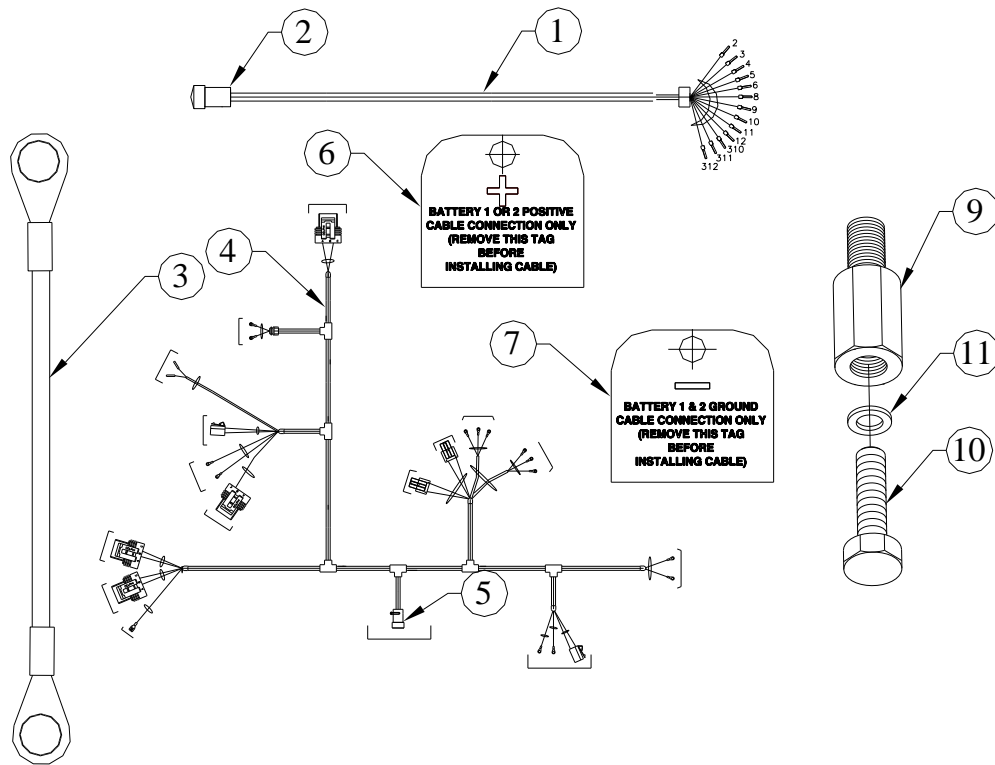
GROUP: - 6H.1144



| SR.NO. | PART NO. | DESCRIPTION | QTY. | REMARKS |
|--------|-----------------|---|------|---------|
| 12 | 6H.1144.05.0.00 | CLAMPING BRACKET FOR WATER HEATER INLET PIPE | 1 | |
| 13 | 6H.1144.06.0.00 | BRACKET FOR JUNCTION BOX(WATER HEATER S/F 6R) | 1 | |
| 14 | 4H.1355.05.0.00 | HOSE FOR WATER HEATER PIPE | 1 | |
| 15 | 4H.1355.09.0.00 | RUBBER BOOT(FOR WATER HEATER PIPE CLAMPING BKT) | 2 | |
| 16 | 49.097.08.0.00 | HOSE CLIP SIZE NO 1 28X30 | 5 | |
| 17 | 50.003.08.020. | SET SCREW - M8X1.25X20 - 8.8 | 4 | |
| 18 | 50.506.08.000. | PLAIN MACHINED WASHER - M8 | 4 | |
| 19 | 50.003.10.030. | SET SCREW - M10X1.5X30 - 8.8 | 2 | |
| 20 | 50.003.10.025. | SET SCREW - M10X1.5X25 - 8.8 | 2 | |
| 21 | 50.506.10.000. | PLAIN MACHINED WASHER - M10 | 8 | |
| 22 | 50.006.10.000. | NUT - M10X1.5 - GR.8.8 | 4 | |
| | | | | |
| | | | | |
| | | | | |
| | | | | |

TITLE: - WIRING HARNESS 6R1080TA F.F.SET

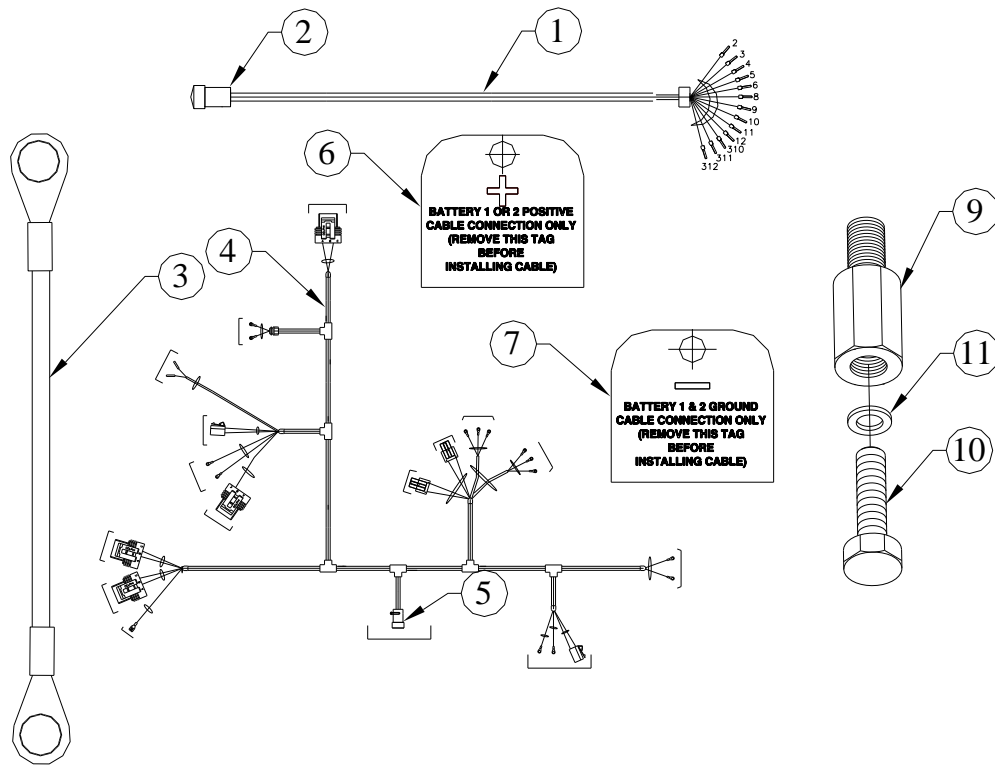
GROUP: - 6H.902.4



| SR.NO. | PART NO. | DESCRIPTION | QTY. | REMARKS |
|--------|----------------|---|------|---------|
| 1 | 6H.902.80.0.PR | PANEL TO PANEL WIRING HARNESS ASSEMBLY F.F.SET (REVISED STANDARD FMUL PROJECT) WITH 16-PIN CONNECTOR | 1 | |
| 2 | 6H.902.16.0.00 | 16-PIN CONNECTOR ALLIED MAKE MS3106F-36-14S (FEMALE TYPE) | 1 | |
| 3 | F6.927.90.0.PR | BATTERY STARTER CABLE 6R & SL90TA FM/UL CE MARK | 1 | |
| 4 | F6.928.70.0.PR | WIRING HARNESS ASSEMBLY 6R1080TA F.F.SET (REVISED STANDARD FMUL PROJECT) WITH ALTERNATOR & 23-PIN CONNECTOR | 1 | |
| 5 | 6H.902.24.0.00 | 23-PIN CONNECTOR ALLIED MAKE MS-3106-E-32-6-S (FE-MALE TYPE PINS) | 1 | |
| 6 | 6H.902.17.0.00 | BATTERY +VE (POSITIVE) CONNECTION TAG | 2 | |

TITLE: - WIRING HARNESS 6R1080TA F.F.SET

GROUP: - 6H.902.4



| SR.NO. | PART NO. | DESCRIPTION | QTY. | REMARKS |
|--------|----------------|--|------|-----------------|
| 7 | 6H.902.18.0.00 | BATTERY -VE (NEGATIVE) CONNECTION TAG | 1 | |
| 8 | 4H.906.11.0.PR | RELAY 24VDC,100A BAGLA MAKE | 1 | NOT ILLUSTRATED |
| 9 | F6.483.07.0.PR | ADAPTOR FOR STARTER RELAY(M8 X 1.25-M6 X1) | 1 | |
| 10 | 50.003.06.016 | SET SCREW - M6X1X16 - 8.8 | 1 | |
| 11 | 50.506.06.000 | PLAIN MACHINED WASHER - M6 | 2 | |
| | | | | |
| | | | | |
| | | | | |
| | | | | |
| | | | | |
| | | | | |
| | | | | |
| | | | | |
| | | | | |
| | | | | |
| | | | | |