



Enriching Lives

**ILLUSTRATED SPARE PART LIST  
FOR**

**KFP4R-UF07  
FM/UL ENGINE S/F FIRE  
FIGHTING A/C DOMESTIC**

**APPLICATION CODE NO.  
4H.2209**

**KIRLOSKAR OIL ENGINES LIMITED**

Regd. Office: Laxmanrao Kirloskar Road, Khadki, Pune - 411 003, (India).  
Tel.: +91 (20) 2581 0341, 2581 5341. Fax: +91 (20) 2581 3208, 2581 0209.  
Website: [www.koel.co.in](http://www.koel.co.in)

JUNE – 2015

PUBLICATION NO. : 4H.1900.21.0.00

REV : 00

**GROUP INDEX**  
**APPLICATION CODE 4H.2209**

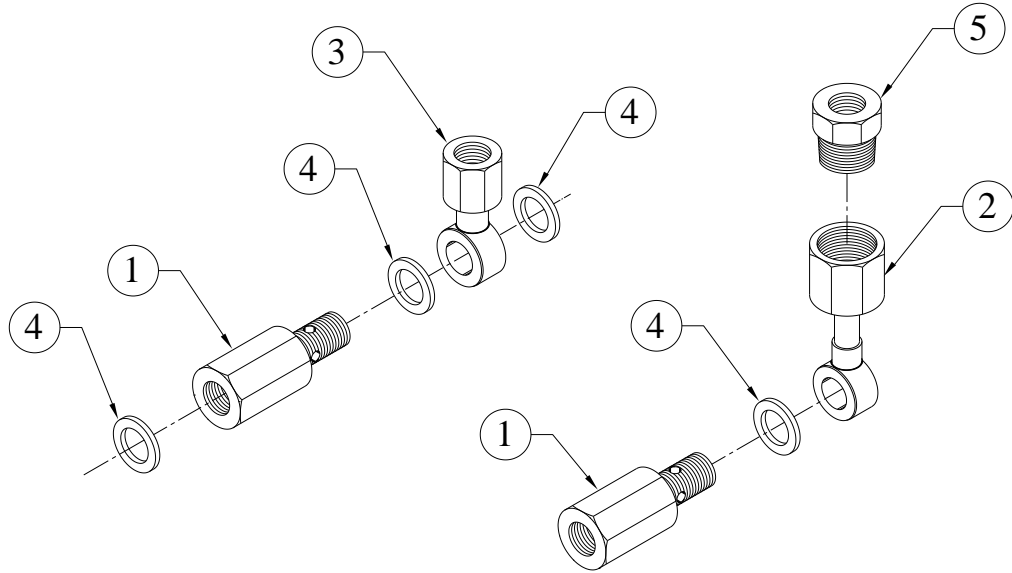
<b>SR.NO.</b>	<b>DESCRIPTION</b>	<b>GROUP NO.</b>	<b>QTY.</b>	<b>PAGE NO.</b>
1	<a href="#"><u>ADOPTOR FOR SWITCHES</u></a>	4H.4205.5	1	5
2	<a href="#"><u>AIR CLEANER(DONALDSON) FOR 4R1040 F.F. ENGINES</u></a>	4H.1345.1	1	6
3	<a href="#"><u>AIR INLET MANIFOLD (NON ASBESTOS JOINT) &amp; CASTING</u></a>	4H.030...EXP	1	7
4	<a href="#"><u>ALTERNATOR MOUNTING WITH 90 PCD PULLEY DOUBLE GROOVE</u></a>	4H.198.3	1	8 TO 9
5	<a href="#"><u>BELT GUARD ASSLY (FOR FIRE FIGHTING APPLICATION)</u></a>	4H.1361	1	10
6	<a href="#"><u>BLANKET FOR EXHAUST MANIFOLD</u></a>	4H.1611	1	11
7	<a href="#"><u>BREATHER PIPE</u></a>	3H.028	1	12
8	<a href="#"><u>CAMSHAFT</u></a>	4H.003	1	13
9	<a href="#"><u>CHARGING ALTERNATOR 12V</u></a>	3H.315	1	14
10	<a href="#"><u>COOLING LINE(1") WITH FLOW SWITCH AND MTG.FOR KFP4R-UF07(4R1040) ENGINE</u></a>	4H.1438.4	1	15
11	<a href="#"><u>COVER FOR FUEL PUMP GEAR (PG)</u></a>	4H.266...EXP	1	16
12	<a href="#"><u>CRANK SHAFT</u></a>	4H.002	1	17 TO 18
13	<a href="#"><u>CRANKSHAFT PULLEY (172 PCD, 2 GROOVE,"A" SECTION) FOR FIRE FIGHTING SET</u></a>	4H.261	1	19
14	<a href="#"><u>CYLINDER HEAD ASSEMBLY</u></a>	4H.1432.3	1	20 TO 22
15	<a href="#"><u>CYLINDER LINER.(105 DIA)</u></a>	2H.008	4	23
16	<a href="#"><u>DELIVERY BODY</u></a>	2H.013...EXP	1	24
17	<a href="#"><u>DIPSTICK ( PRESSED SUMP )</u></a>	04.445	1	25
18	<a href="#"><u>ENGINE MOUNTING FOOT 285 CRS FOR KBL</u></a>	4H.1232.2	1	26
19	<a href="#"><u>ENGINE NAME PLATE WITH FUEL DATA</u></a>	4H.1440	1	27
20	<a href="#"><u>EXHAUST MANIFOLD W/O ADAPTOR</u></a>	4H.035	1	28
21	<a href="#"><u>EXHAUST SILENCER(3') FOR 4R1040 FIRE FIGHTING ENGINES</u></a>	4H.1442	1	29
22	<a href="#"><u>EXPANSION BELLOW(3")</u></a>	4H.1341.1		30
23	<a href="#"><u>FASTENER FOR WATER PUMP PULLEY MOUNTING (FOR HE COOLED FOR F.F. APPLICATION)</u></a>	6H.104.1	1	31
24	<a href="#"><u>FLYWHEEL HOUSING(SAE3-144.5)</u></a>	4H.038	1	32
25	<a href="#"><u>FLYWHEEL(C-110 PTO &amp; SP-111 PTO)</u></a>	04.039	1	33
26	<a href="#"><u>FRONT COVER FOR PG APPLICATION</u></a>	4H.179...EXP	1	34
27	<a href="#"><u>FUEL INJECTION PUMP ( 4RNA - FMUL )</u></a>	4H.1503.1	1	35
28	<a href="#"><u>FUEL PUMP GEAR.</u></a>	2H.011	1	36
29	<a href="#"><u>FUEL STOP SOLENOID S/F 4RNA ENGINE(ELECTRAL CONTROL MAKE,INDIGENIOUS, ENERGIZE TO STOP TYPE, 12VDC)</u></a>	4H.1357.4	1	37

<b>SR.NO.</b>	<b>DESCRIPTION</b>	<b>GROUP NO.</b>	<b>QTY.</b>	<b>PAGE NO.</b>
30	<a href="#">FUEL SUPPLY AND RETURN ASSEMBLY</a>	4H.1374.1	1	38
31	<a href="#">GEAR CASING WITH DEFLECTOR</a>	4H.1074.EXP	1	39
32	<a href="#">HEAT EXCHANGER FOR 4R1040 F.F. ENGINES</a>	4H.1343.4	1	40 TO 41
33	<a href="#">HIGH PRESSURE PIPE (700 MM)</a>	4H.050	1	42 TO 44
34	<a href="#">INJECTOR &amp; INJECTOR MOUNTING R1040NA (CMVR STAGE-II)</a>	4H.1501	4	45
35	<a href="#">INSTRUMENTAL PANEL(REVISED STANDARD,FM/UL TYPE) 12V FOR FIRE FIGHTING APPLICATION.</a>	4H.1364.2	1	46 TO 50
36	<a href="#">INTERMEDIATE GEAR AND SUPPORT (FOR ENGINE W/O AUTO TIMER)</a>	4H.237	1	51
37	<a href="#">LIFTING HOOK FOR FIRE FIGHTING</a>	4H.033.1	1	52
38	<a href="#">LUB OIL HEADER &amp; FILTER ASSLY S/F WATER JACKET HEATING</a>	4H.690	1	53
39	<a href="#">LUB OIL SUMP (SHEET METAL)</a>	4H.201	1	54
40	<a href="#">LUBE.OIL PUMP</a>	3H.005	1	55 TO 57
41	<a href="#">MICO STARTER 12VDC 2.7KW SUITABLE FOR - 20 deg. C</a>	2H.301	1	58
42	<a href="#">MONOBLOCK CRANKCASE</a>	4H.1179	1	59 TO 62
43	<a href="#">MOUNTING FOR FUEL FILTER(SPIN ON) &amp; FUEL PIPES</a>	4H.1359.2	1	63
44	<a href="#">MOUNTING FOR SILENCER</a>	4H.036	1	64
45	<a href="#">OIL FILLING BODY</a>	4H.027...EXP	1	65
46	<a href="#">OIL SEAL HOUSING (PG)</a>	2H.039...EXP	1	66
47	<a href="#">PISTON AND CONNECTING ROD ASSEMBLY R1040NA (CMVR STAGE-II)</a>	4H.1502	4	67 TO 69
48	<a href="#">PULLEY FOR WATER PUMP SPA SECTION, 2 GR. (120 PCD)</a>	4H.262	1	70
49	<a href="#">PUSHROD &amp; TAPPETS</a>	2H.007	4	71
50	<a href="#">ROCKER COVER (ALUMINIUM)</a>	4H.651...EXP	1	72 TO 73
51	<a href="#">ROCKER SUPPORT ASSLY (LOW FREQ. TAPPET ADJ)</a>	4H.1433	1	74 TO 75
52	<a href="#">SPEED ADJUSTMENT ARRANGEMENT</a>	49.638	1	76
53	<a href="#">SPIN ON FUEL FILTER (MICO NO F002 H20 116)</a>	3H.132	1	77
54	<a href="#">STARTER SOLENOID(DUMORE) 12V FOR F.F. ENGINES</a>	4H.1347.2	1	78
55	<a href="#">STICKERS FOR 4R ENGINES</a>	4H.1497	1	79
56	<a href="#">SUCTION TUBE (SHEET METAL SUMP)</a>	4H.064	1	80
57	<a href="#">TEMPRATURE SWITCH &amp; SENSORS FOR FM/UL ENGINE</a>	F6.906.1	1	81 TO 82
58	<a href="#">THERMOSTAT &amp; MTG.[USA]</a>	4H.053...EXP	1	83 TO 84
59	<a href="#">TOOLS FOR FIRE FIGHTING APPLICATION</a>	4H.1439	2	85



**TITLE: - ADOPTOR FOR SWITCHES**

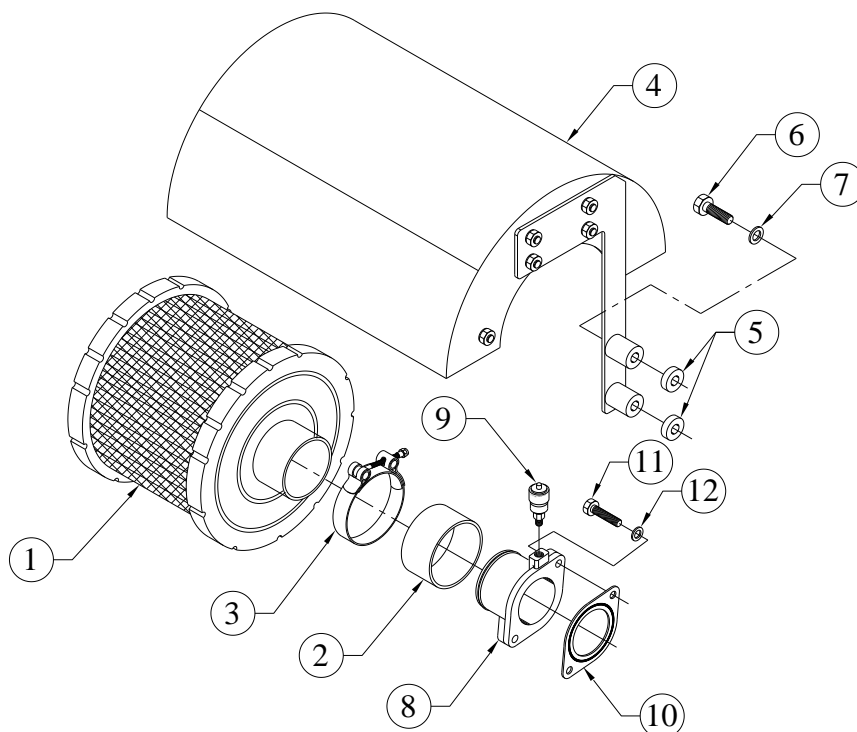
**GROUP: - 4H.420.5**



SR.NO.	PART NO.	DESCRIPTION	QTY.	REMARKS
1	4H.225.22.0.00	ADAPTOR FOR WATER TEMP. SENSOR	1	
2	4H.225.34.0.PR	ADAPTOR FOR WATER TEMP. SWITC	1	
3	06.610.08.0.00	ADAPTOR FOR 2R1040 FOR WATER CONNECTION	2	
4	50.508.12.0.00	COPPER WASHER (14X20)	6	
5	4H.225.33.0.PR	ADAPTOR FOR LOW COOLANT TEMP. SWITCH	1	

**TITLE: -AIR CLEANER (DONALDSON)  
FOR 4R1040 F.F. ENGINES**

**GROUP: - 4H.1345.1**

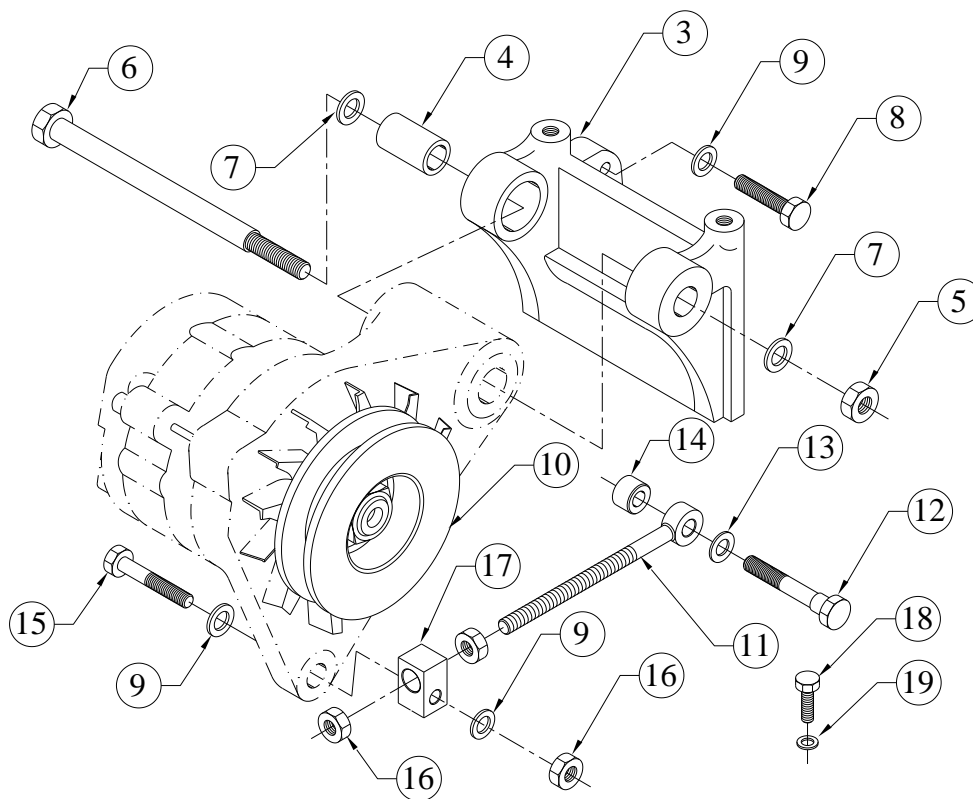


SR.NO.	PART NO.	DESCRIPTION	QTY.	REMARKS
1	4H.1345.01.0.00	AIR CLEANER(DONALDSON, B085008) FOR 4R1040 F.F. ENGINES	1	NOT SUPPLIED LOOSE
2	4H.1345.02.0.00	SLEEVE FOR AIR CLEANER ADAPTOR	1	
3	4H.029.06.0.00	T BOLT CLAMP, KLIPCO TB78 / JUPITOR ( 84 TO 92 DIA )	1	
4	4H.1345.03.0.00	GUARD FOR AIR CLEANER	1	
5	03.149.02.0.00	SPACER(11 X 20 X 6.5 L)	2	
6	50.003.10.065	SET SCREW - M10X1.5X65 - 8.8	2	
7	50.506.10.000	PLAIN MACHINED WASHER - M10	2	
8	4H.174.02.0.00	ADAPTOR FOR AIR CLEANER.	1	
9	47.113.15.0.00	RESTRICTION INDICATOR - 20"W.G.	1	
10	34.040.02.0.00	JOINT FOR FLANGE/FUEL SPOUT	1	
11	50.003.08.030	SET SCREW - M8X1.25X30 - 8.8	2	
12	50.506.08.000	PLAIN MACHINED WASHER - M8	2	



**TITLE: -ALTERNATOR MOUNTING WITH  
90 PCD PULLEY DOUBLE GROOVE**

**GROUP: - 4H.198.3**



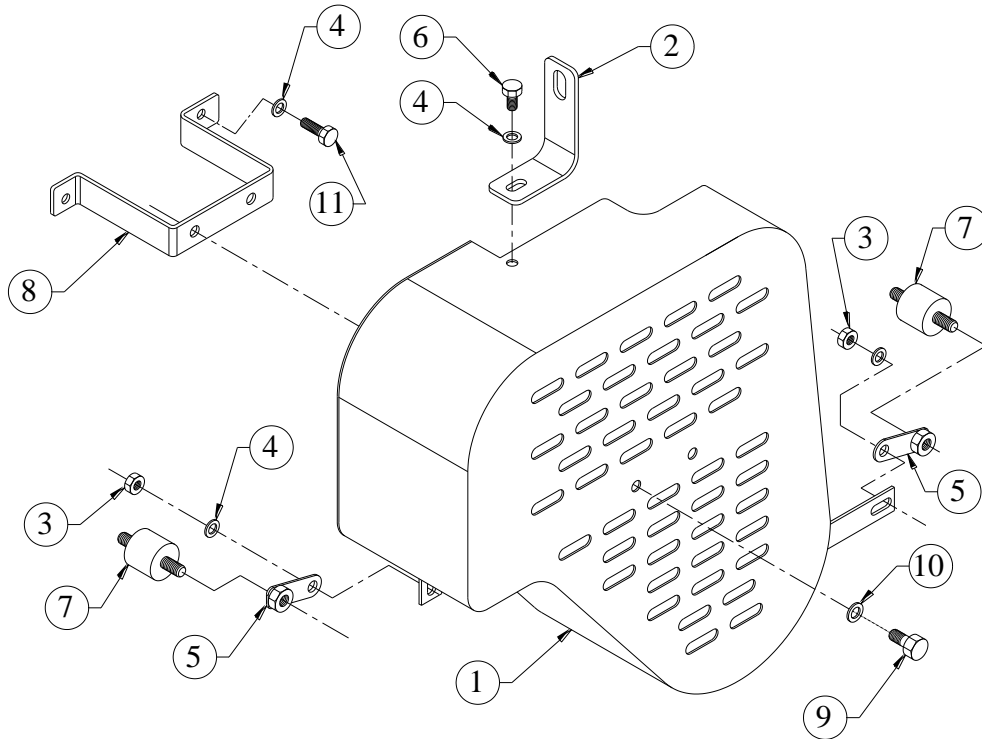
SR.NO.	PART NO.	DESCRIPTION	QTY.	REMARKS
*1	4H.198.40.0.00	ALTERNATOR MOUNTING KIT FOR FIRE FIGHTING	1	CONSISTING OF SR. NO.- 2, 8 TO 19
*2	4H.044.20.0.00	MOUNTING SUBASLY. FOR ALTERNATOR	1	CONSISTING OF SR. NO.- 3 TO 7
3	48.175.07.0.00	BKT.FOR ALT	1	
4	48.067.04.0.00	BUSH FOR ALTERNATOR (IN BRACKET)	1	
5	50.006.10.000	NUT - M10X1.5 - GR.8.8	1	
6	48.067.03.7.00	DOWEL BOLT FOR ALTERNATOR	1	
7	50.506.10.000	PLAIN MACHINED WASHER - M10	3	
8	50.003.10.040	SET SCREW - M10X1.5X40 - 8.8	2	
9	50.506.10.000	PLAIN MACHINED WASHER - M10	6	
10	4H.263.01.0.00	ALTERNATOR PULLEY (90 PCD)	1	
11	4H.329.24.0.00	EYE BOLT	1	
12	4H.198.02.0.00	LOCATING BOLT (FOR EYE BOLT)	1	
13	50.506.12.000	PLAIN MACHINED WASHER - M12	1	
14	4H.198.03.0.00	SPACER (FOR EYE BOLT)	1	
15	50.002.10.055	SET BOLT - M10X1.5X55 - 8.8	1	





**TITLE: -BELT GUARD ASSLY (FOR FIRE FIGHTING APPLICATION)**

**GROUP: - 4H.1361**



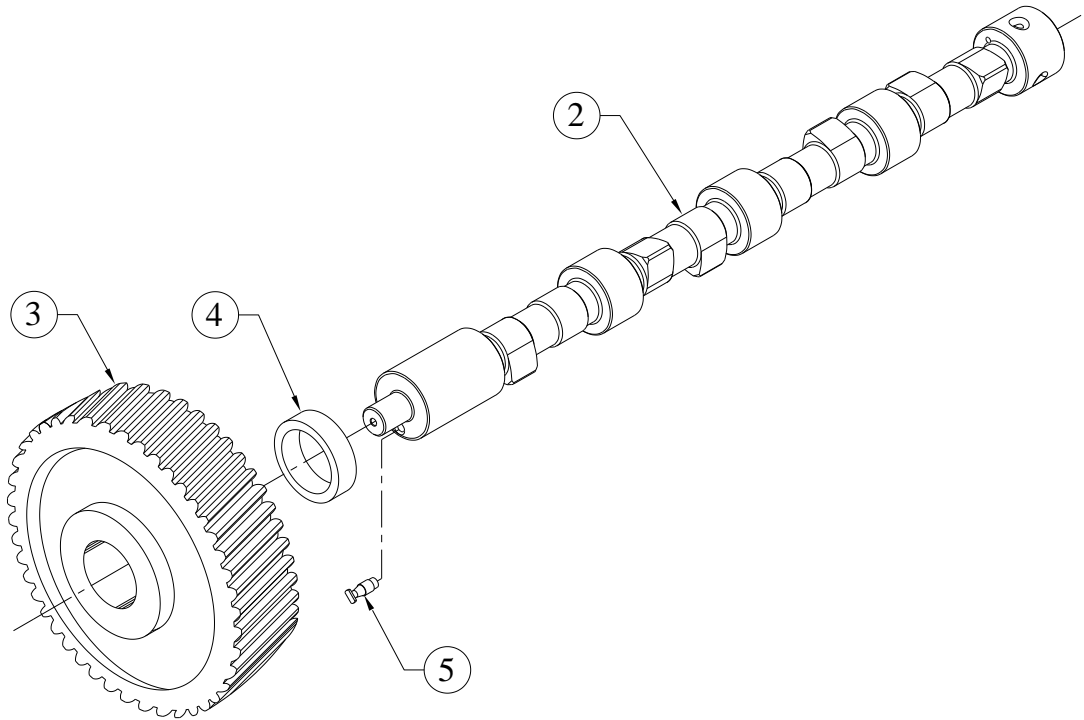
SR.NO.	PART NO.	DESCRIPTION	QTY.	REMARKS
1	4H.1361.08.0.00	BELT GUARD (FOR FIRE FIGHTING APPLICATION)	1	
2	6H.1148.03.0.00	HOLDING PLATE (BELT GUARD MTG)	1	
3	50.006.08.000.	NUT- M8X1.25 - GR.8.8	2	
4	50.506.08.000.	PLAIN MACHINED WASHER - M8	3	
5	4H.1361.03.0.00	HOLDING PLATE (FOR BELT GUARD MTG.)	2	
6	50.003.08.010.	SET SCREW - M8X1.25X10 - 8.8	1	
7	3H.880.02.0.00	ANTI VIBRATION MOUNTING FOR CONTROL PANEL TS STANDARD MAKE (20 MM HEIGHT).	2	
8	4H.1361.06.0.00	SUPPORT (FOR BELT GUARD)	1	
9	50.003.10.010.	SET SCREW	2	
10	50.506.10.000.	PLAIN MACHINED WASHER - M10	2	
11	50.003.08.025.	SET SCREW - M8X1.25X25 - 8.8	2	





**TITLE: - CAMSHAFT**

**GROUP: - 4H.003**

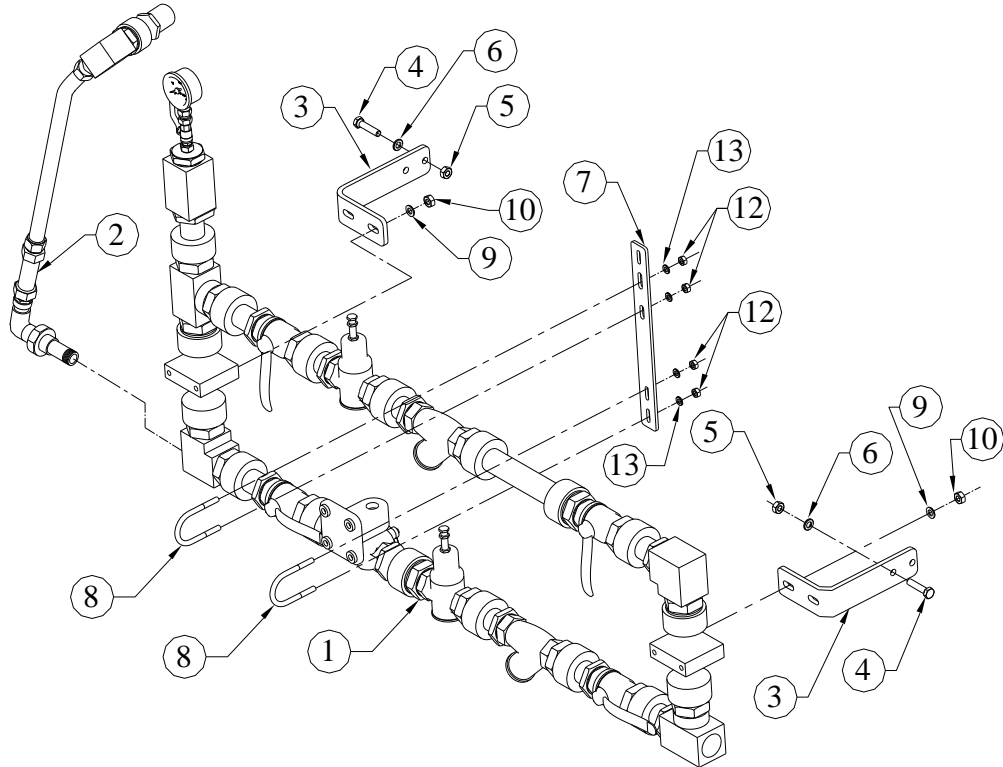


SR.NO.	PART NO.	DESCRIPTION	QTY.	REMARKS
*1	4H.003.20.0.00	CAMSHAFT SUBASSLY	1	CONSISTING OF SR. NO. 2 & 3
2	4H.003.01.0.00	CAM SHAFT. (FINISH)	1	NOT SUPPLIED LOOSE
3	03.006.04.0.00	CAM SHAFT GEAR	1	NOT SUPPLIED LOOSE
4	4H.003.02.0.00	THRUST WASHER FOR CAM SHAFT	1	NOT SUPPLIED LOOSE
5	03.117.02.0.00	PIN	1	



**TITLE : - COOLING LINE(1") WITH FLOW SWITCH AND MTG.FOR KFP4R-UF07(4R1040) ENGINE**

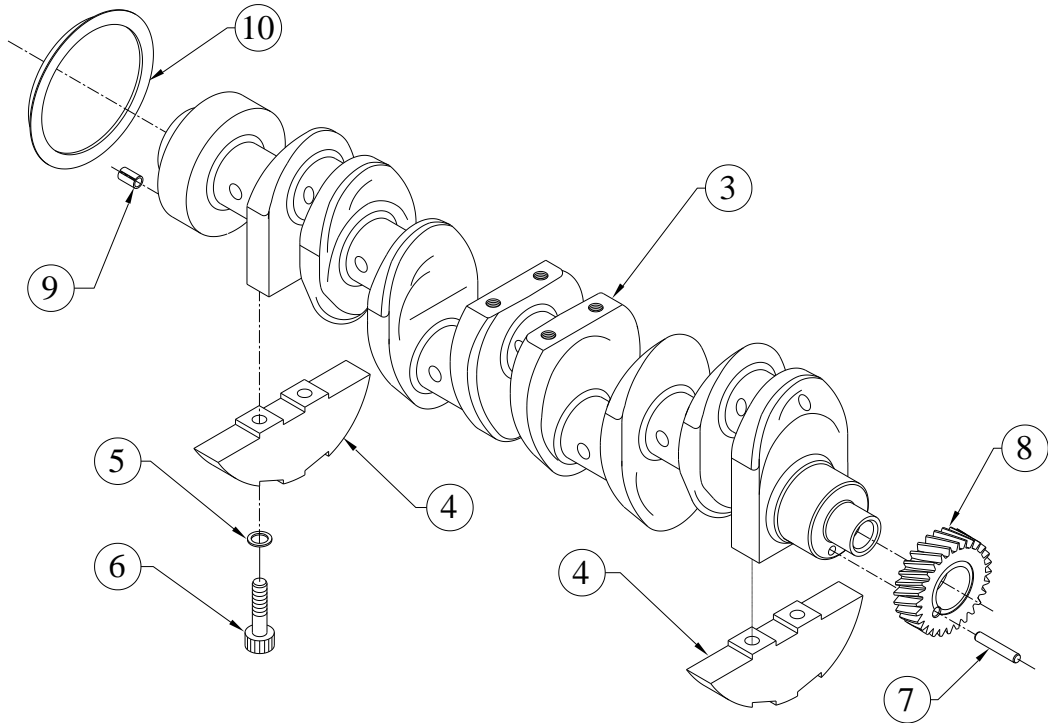
**GROUP : - 4H.1438.4**



SR.NO.	PART NO.	DESCRIPTION	QTY.	REMARKS
1	4H.1438.50.0.PR	COOLING LINE(1") ASSLY FOR KFP4R-UF07(4R1040) ENGINES S/F FLOW SWITCH FOR FIRE FIGHTING APPLICATION	1	
2	4H.905.23.0.PR	RAW WATER FLOW SENSOR WITH SWITCH FM/UL ENGINE 4R1040NA 12V	1	
3	4H.1438.07.0.PR	BRACKET FOR COOLING LINE MTG.FOR 4R ENGINES	2	
4	50.003.10.030	SET SCREW - M10X1.5X30 - 8.8	4	
5	50.006.10.000	NUT - M10X1.5 - GR.8	4	
6	50.506.10.000	PLAIN MACHINED WASHER - M10	8	
7	F6.1106.04.0.PR	BRACKET FOR COOLING LINE HOSE SUPPORT	1	
8	03.299.07.0.PR	U CLAMP	1	
9	50.506.06.000	PLAIN MACHINED WASHER - M6	2	
10	50.006.06.000	NUT - M6X1 - GR.8	2	





**TITLE: - CRANK SHAFT****GROUP: - 4H.002**

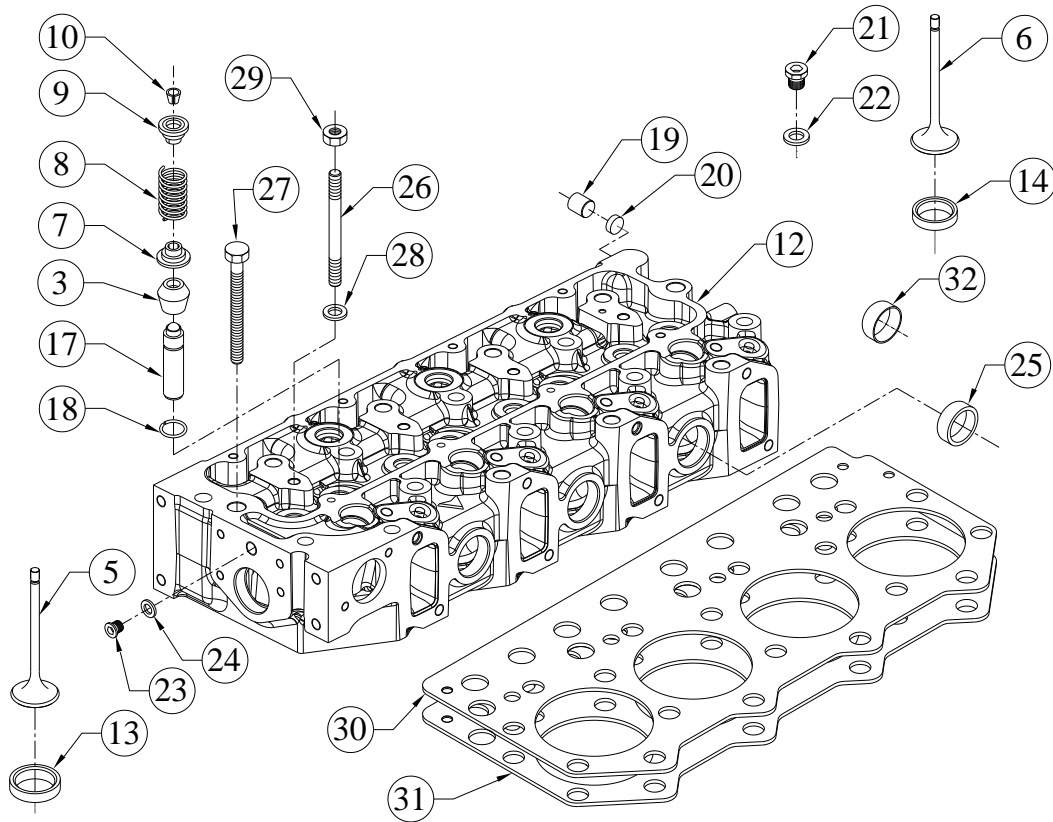
SR.NO.	PART NO.	DESCRIPTION	QTY.	REMARKS
*1	4H.002.10.0.00	CRANKSHAFT AASY.WITH GEAR	1	CONSISTING OF SR. NO. 2, 7 & 8
*2	04.005.30.0.00	CR'SHAFT ASSLY.W/O CR'GEAR(UPDATED)	1	CONSISTING OF SR. NO. 3 TO 6 NOT SUPPLIED LOOSE
3	04.005.09.0.00	CRANK SHAFT-KHD	1	NOT SUPPLIED LOOSE
4	04.005.11.0.00	BALANCE WT.	4	NOT SUPPLIED LOOSE
5	02.005.04.0.00	HARD WASHER (13 I.D X 21O.D X 1.5 TH)	8	
6	04.005.12.0.00	SOCKET HEAD BOLT - M12X1.75X60 -10.9	8	
7	50.401.08.060.	DOWEL PIN 8X60	1	
8	4H.002.01.0.00	CRANK SHAFT GEAR (FINISH/)	1	NOT SUPPLIED LOOSE
9	50.540.11.025.	SPRING DOWEL PIN	1	





**TITLE: - CYLINDER HEAD ASSEMBLY**

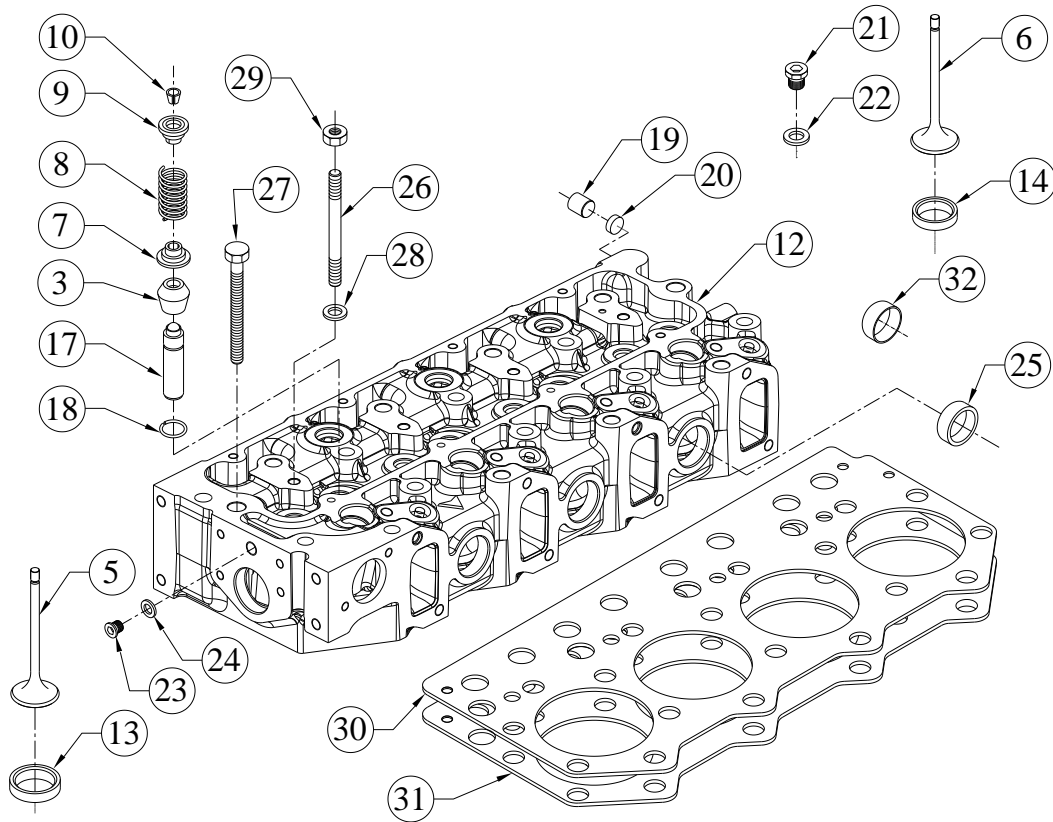
**GROUP: - 4H.1432.3**



SR.NO.	PART NO.	DESCRIPTION	QTY.	REMARKS
*1	4H.1432.60.0.00	CYLINDER HEAD ASSLY COMPLETE.	1	CONSISTING OF SR. NO. 2 & 26
*2	4H.1432.70.0.00	CYL.HEAD ASSLY WITH VALVES & SPRINGS	1	CONSISTING OF SR. NO. 3 TO 11
3	06.631.02.0.00	VALVE SEAL	8	
*4	4H.1432.41.0.00	INLET & EXHAUST VALVE PAIR	1	CONSISTING OF SR. NO. 5, 6
5	4H.1432.04.0.00	INLET VALVE	4	
6	4H.1432.05.0.00	EXHAUST VALVE	4	
7	34.013.13.0.00	CUP FOR VALVE SPRING.	8	
8	02.022.13.0.00	VALVE SPRING	8	
9	02.022.11.0.00	VALVE CUP	8	
10	02.022.28.0.00	VALVE COLLET(3-GROOVE)	16	
*11	4H.007.120.0.00	CYLINDER HEAD (S TYPE INJECTOR) ASSEMBLY WITH VS INSERT & VG	1	CONSISTING OF SR. NO. 12 TO 15 & 19 TO 25

**TITLE: - CYLINDER HEAD ASSEMBLY**

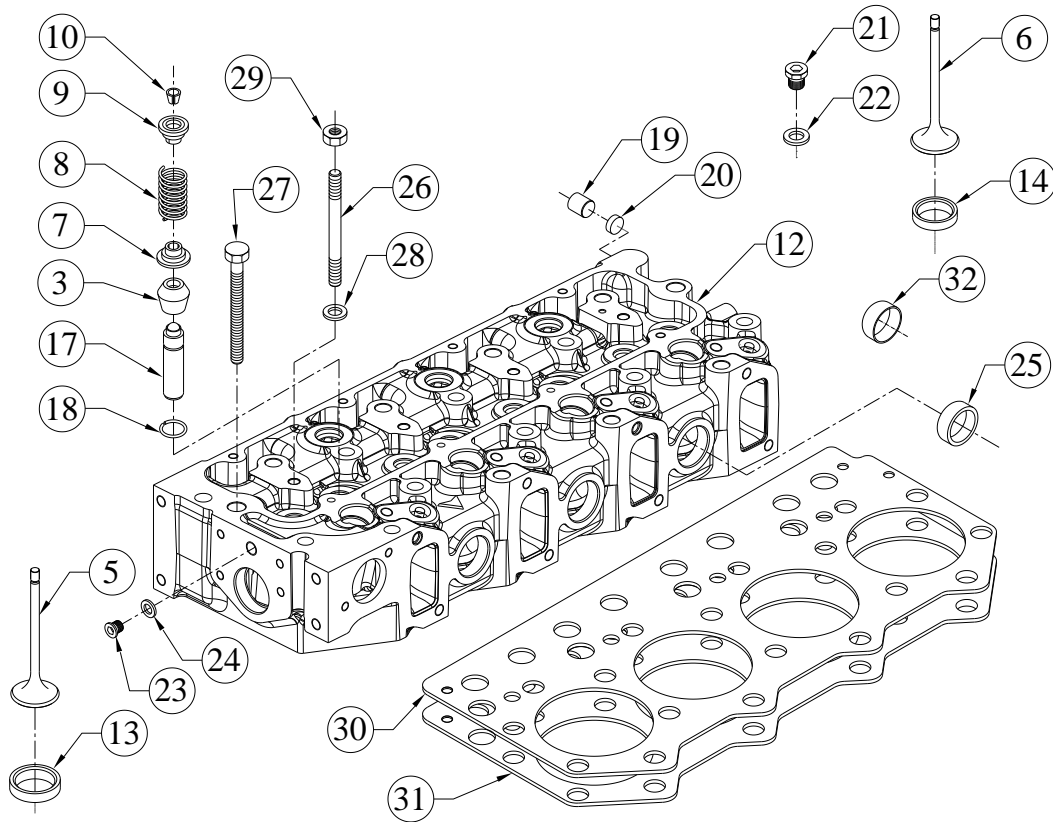
**GROUP: - 4H.1432.3**



SR.NO.	PART NO.	DESCRIPTION	QTY.	REMARKS
12	4H.007.44.0.00	CYLINDER HEAD (FINISH)	1	NOT SUPPLIED LOOSE
13	4H.1432.02.9.00	VALVE SEAT INSERT (INLET) SEMIFINISH	4	
14	4H.1432.03.9.00	VALVE SEAT INSERT (EXHAUST) SEMI-FINISH	4	
*15	4H.007.39.0.00	ASSEMBLY OF SEMIFINISH VALVE GUIDE & SNAP RING	8	CONSISTING OF SR. NO. 16
*16	4H.007.38.0.00	ASSEMBLY OF SEMIFINISH VALVE GUIDE & SNAP RING	1	CONSISTING OF SR. NO. 17, 18
17	4H.007.02.9.00	VALVE GUIDE ( SEMI-FINISH)	1	
18	02.022.18.0.00	WIRE SNAP RING	1	
19	34.003.07.0.00	CRANK SHAFT PLUG - ALUMINIUM	5	
20	34.003.08.0.00	WASHER FOR ALU.PLUG.	5	
21	50.610.16.000.	CORE PLUG-HEXAGONAL SOCKET HEAD(DIN-908)	1	
22	50.508.16.000.	COPPER WASHER (18X22)	1	
23	50.610.24.000.	CORE PLUG	3	

**TITLE: - CYLINDER HEAD ASSEMBLY**

**GROUP: - 4H.1432.3**

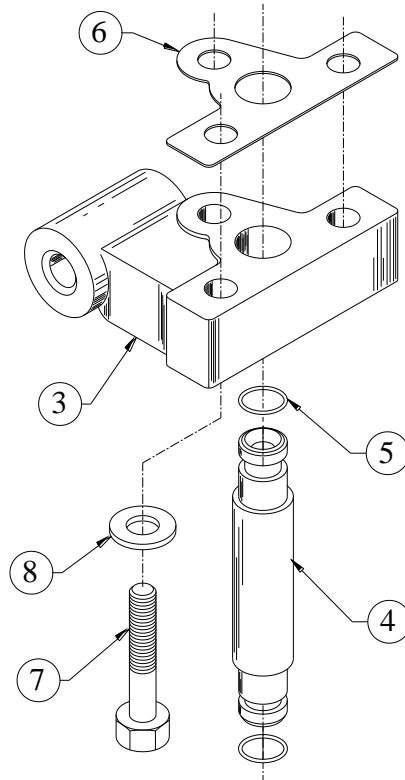


SR.NO.	PART NO.	DESCRIPTION	QTY.	REMARKS
24	50.508.29.000.	COPPER WASHER (26X32)	3	
25	F6.007.35.0.00	SEALING CAP	3	
26	50.010.10.075.	STUD - M10X1.5X75 - 8.8	4	
27	4H.007.07.0.00	BOLT FOR CYLINDER HEAD.	18	
28	02.022.06.0.00	WASHER	4	
29	50.006.10.000.	NUT - M10X1.5 - GR.8	4	
30	4H.007.24.0.00	GASKET FOR CYL. HEAD (THICKNESS 1.22)	1	
31	4H.007.11.0.00	GASKET (FOR CYLINDER HEAD) 1.10 THK.	1	
32	F6.001.58.0.00	SEALING CAP.(40 DIN 443)	2	



**TITLE:- DELIVERY BODY**

**GROUP:- 2H.013...EXP**



SR.NO.	PART NO.	DESCRIPTION	QTY.	REMARKS
*1	2H.013.20.0.00	DELIVERY BODY AND JOINT (NON ASBESTOS)	1	CONSISTING OF SR. NO. 2 & 6
*2	2H.013.10.0.00	DELIVERY BODY ASSEMBLY	1	CONSISTING OF SR. NO. 3 TO 5
3	2H.013.01.0.00	DELIVERY BODY (FINISH)	1	
4	2H.014.01.0.00	DELIVERY TUBE	1	
5	2H.014.02.0.00	O RING(FOR DELIVERY TUBE)	2	
6	2H.013.11.0.00	JOINT FOR DELIVERY BODY	1	
7	50.002.08.045.	SET BOLT - M8X1.25X45 - 8.8	3	
8	50.506.08.000.	PLAIN MACHINED WASHER - M8	3	



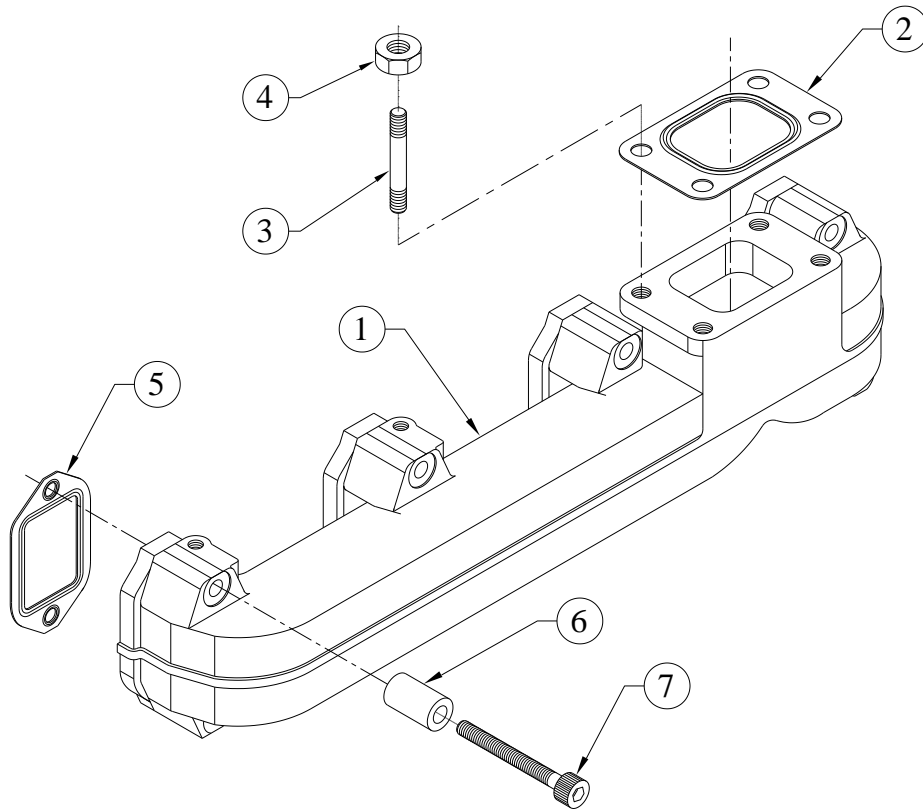






**TITLE: - EXHAUST MANIFOLD W/O ADAPTOR**

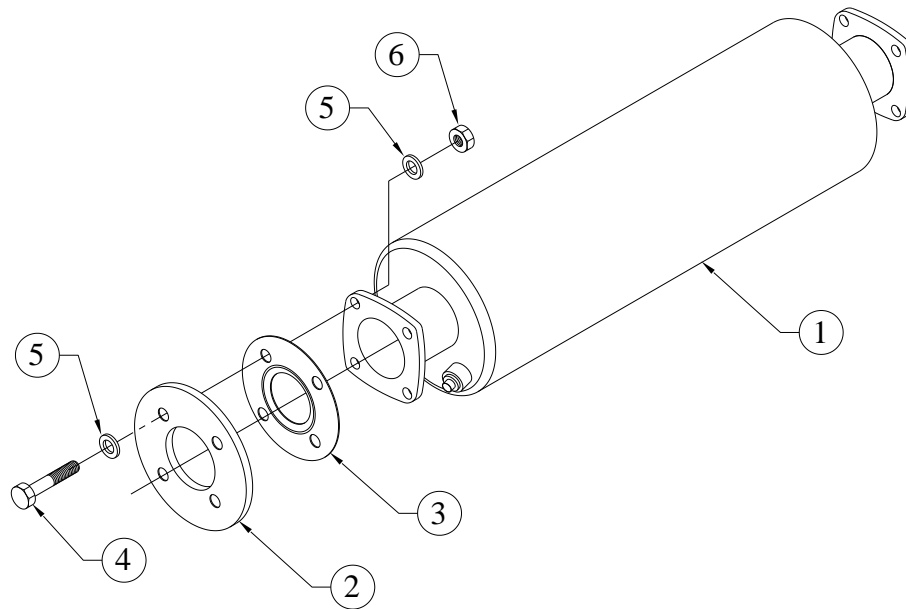
**GROUP: - 4H.035**



SR.NO.	PART NO.	DESCRIPTION	QTY.	REMARKS
1	4H.035.07.0.00	EXHAUST MANIFOLD GE TOP OPEN	1	
2	4H.035.03.0.00	GASKET FOR EXH.ADAPTOR (S.S)	1	
3	50.010.10.030.	STUD - M10X1.5X30 - 8.8	4	
4	50.080.10.000.	STAINLESS STEEL NUT M10-AISI-304	4	
5	P2.106.01.0.00	S.S. JOINT FOR EXHAUST MANIFOLD	4	
6	4H.107.02.0.00	SPACER(FOR EXT.MANIFOLD)	8	
7	50.011.08.075.	SOCKET HEAD SCREW - M8X1.25X75 - 8.8	8	

**TITLE: - EXHAUST SILENCER (3') FOR 4R1040  
FIRE FIGHTING ENGINES**

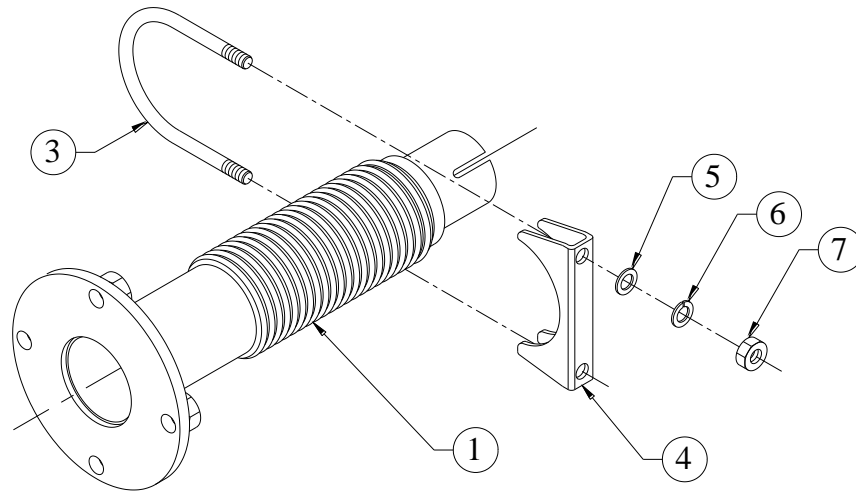
**GROUP: - 4H.1442**



SR.NO.	PART NO.	DESCRIPTION	QTY.	REMARKS
1	4H.1442.01.0.00	EXHAUST SILENCER(3", INDUSTRIAL TYPE) FOR 4R1040 ENGINES FOR FIRE FIGHTING APPLICATION	1	
2	4H.775.04.0.00	FLANGE (AT SILENCER INLET & OUTLET) FOR 4R1040,4R1040T SILENT SET	2	
3	4H.445.08.0.00	JOINT FOR EXHAUST SILENCER WITH (174 OD) S/F UN SHANTI	3	
4	50.002.12.040	SET BOLT - M12X1.75X40 - 8.8	8	
5	50.506.12.000	PLAIN MACHINED WASHER - M12	16	
6	50.006.12.000	NUT - M12X1.75 - GR.8.8	8	

**TITLE: - EXPANSION BELLOW (3")**

**GROUP: - 4H.1341.1**

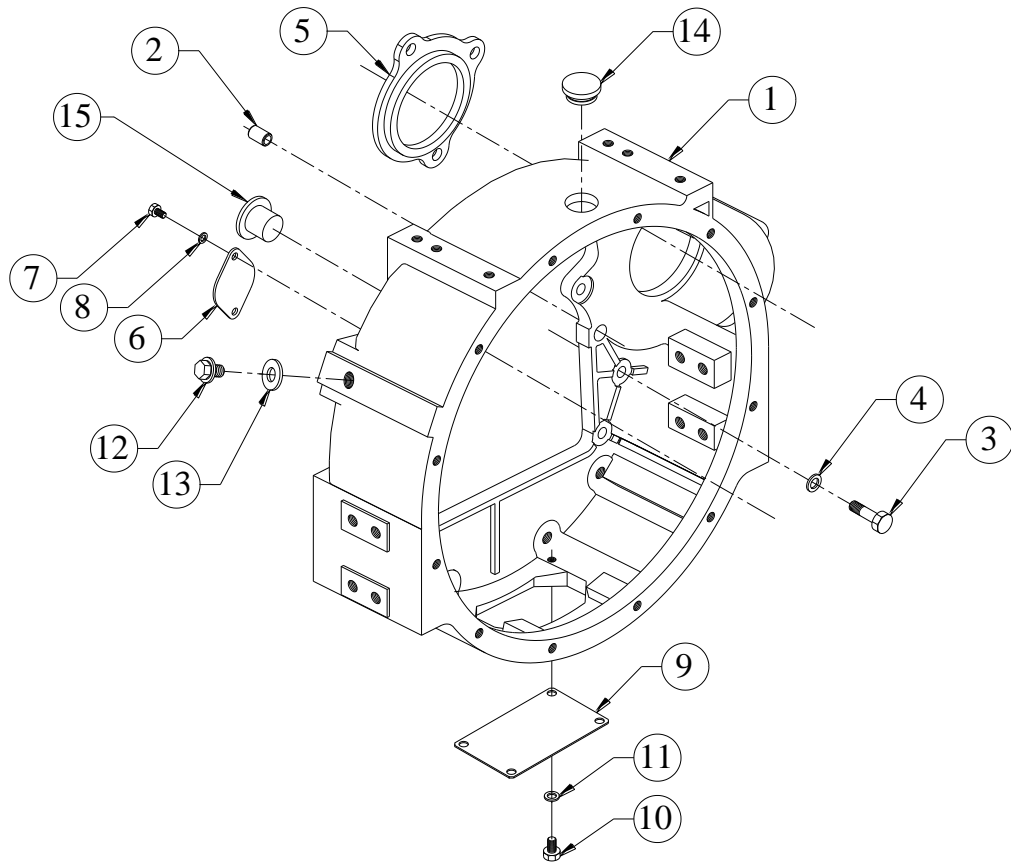


SR.NO.	PART NO.	DESCRIPTION	QTY.	REMARKS
1	4H.973.10.0.00	EXPANSION BELLOW ASSEMBLY FOR 36 KVA SILENT SET	1	
*2	06.089.20.0.00	ASSEMBLY OF U CLAMP (S/F SILENCER)	1	CONSISTING OF SR. NO 4 TO 7
3	06.089.02.0.00	U CLAMP	1	NOT SUPPLIED LOOSE
4	06.089.03.0.00	CLAMPING PLATE	1	NOT SUPPLIED LOOSE
5	50.506.10.000.	PLAIN MACHINED WASHER - M10	2	
6	50.505.10.000.	SPRING WASHER - M10	2	
7	50.006.10.000.	NUT - M10X1.5 - GR.8.8	2	



**TITLE: - FLYWHEEL HOUSING (SAE3-144.5)**

**GROUP: - 4H.038**



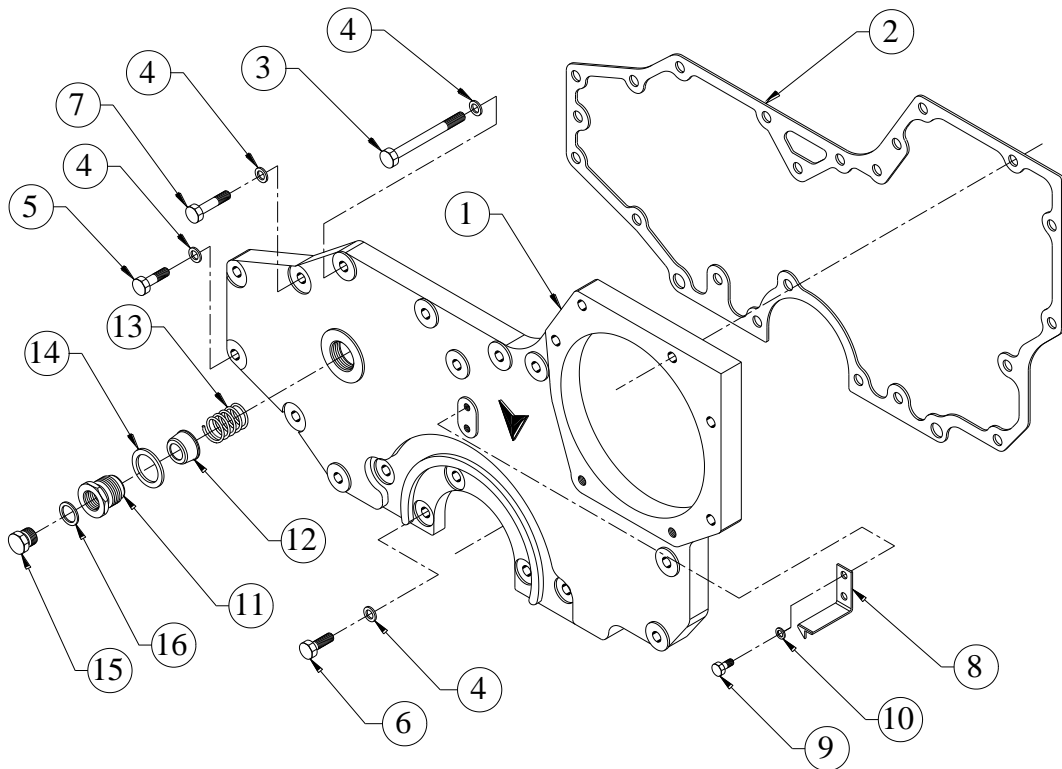
SR.NO.	PART NO.	DESCRIPTION	QTY.	REMARKS
1	4H.038.01.0.00	FLYWHEEL HOUSING (SAE3 -144.5)	1	
2	4H.001.13.0.00	HOLLOW DOWEL (16 DIA)	2	
3	50.052.10.030.	SET BOLT-M10X30-10.9	10	
4	02.024.09.0.00	WASHER	10	
5	4H.038.02.0.00	FLANGE FOR STARTER.	1	
6	4H.038.04.0.00	BLANKING PLATE (FOR FLYWHEEL HOUSING)	1	
7	50.003.06.012	SET SCREW - M6X1X12 - 8.8	2	
8	50.506.06.000	PLAIN MACHINED WASHER - M6	2	
9	03.086.02.0.00	COVER FOR FLY WHEEL HSG	1	
10	50.003.08.016	SET SCREW - M8X1.25X16 - 8.8	4	
11	50.506.08.000	PLAIN MACHINED WASHER - M8	4	
12	50.602.16.000	CORE PLUG 16X1.5	1	
13	50.508.15.000	COPPER WASHER (17X23)	1	
14	F6.016.12.0.00	RUBBER CAP.	1	
15	4H.038.05.0.00	SHIPPING PLUG	1	





**TITLE: -FRONT COVER FOR PG APPLICATION**

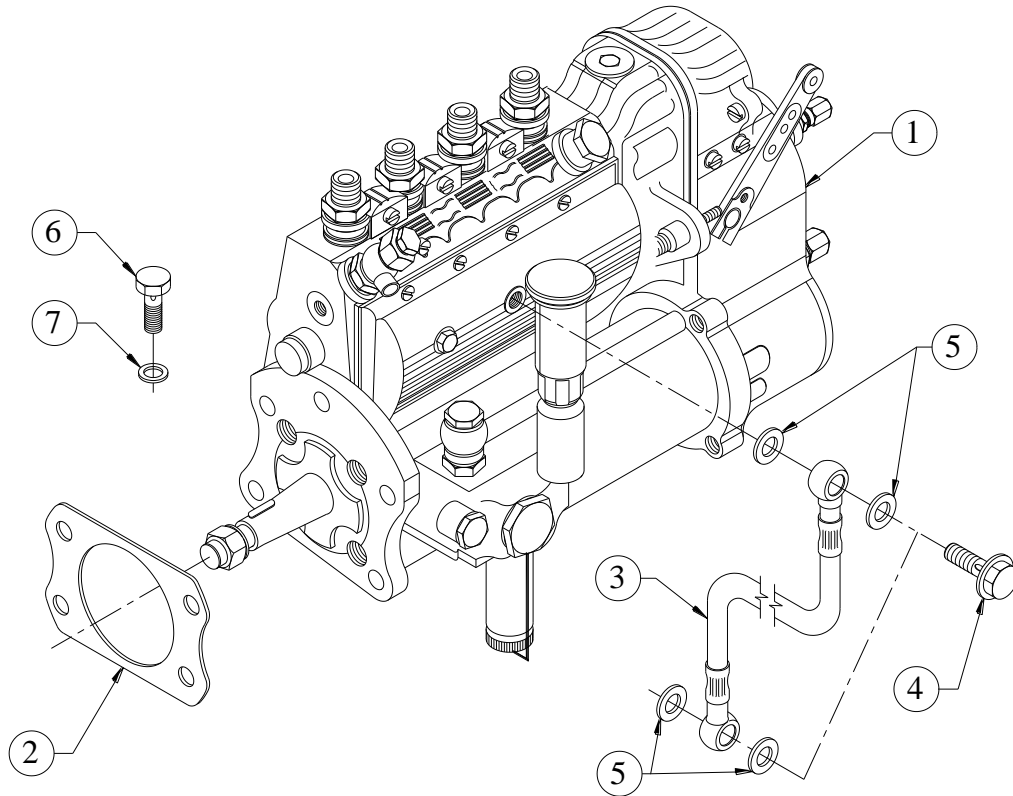
**GROUP: - 4H.179...EXP**



SR.NO.	PART NO.	DESCRIPTION	QTY.	REMARKS
1	4H.179.02.0.00	FRONT COVER (WITH WITHOUT HYD. PUMP)	1	
2	2H.037.11.0.00	JOINT FOR FRONT COVER	1	
3	50.002.08.100.	SET BOLT - M8X1.25X100 - 8.8	4	
4	50.506.08.000.	PLAIN MACHINED WASHER - M8	20	
5	50.002.08.030.	SET BOLT - M8X1.25X30 - 8.8	5	
6	50.003.08.025.	SET SCREW - M8X1.25X25 - 8.8	5	
7	50.002.08.035.	SET BOLT - M8X1.25X35 - 8.8	3	
8	2H.037.06.0.00	TIMING POINTER	1	
9	50.003.06.012.	SET SCREW - M6X1X12 - 8.8	2	
10	50.506.06.000.	PLAIN MACHINED WASHER - M6	2	
11	03.117.04.0.00	ADAPTOR (FOR TD UNIT)	1	
12	03.014.07.0.00	CUP FOR SPRING	1	
13	03.014.06.0.00	SPRING FOR CUP	1	
14	50.508.27.000.	COPPER WASHER (24X29)	1	
15	34.001.11.0.00	DRAIN PLUG (F)	1	
16	50.508.16.000.	COPPER WASHER (18X22)	1	

**TITLE: - FUEL INJECTION PUMP**  
(4RNA - FMUL)

**GROUP: - 4H.1503.1**

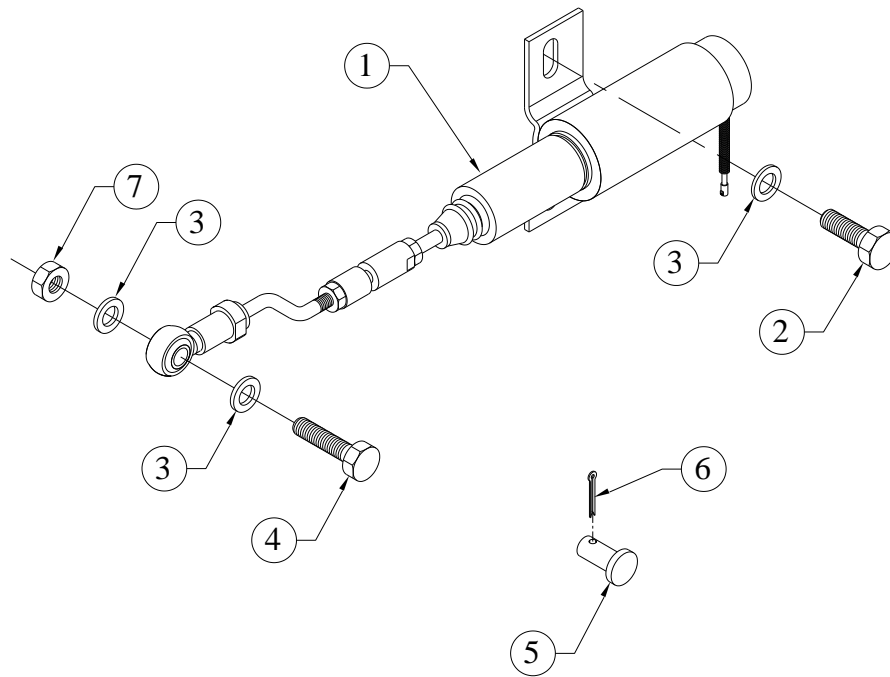


SR.NO.	PART NO.	DESCRIPTION	QTY.	REMARKS
1	4H.1570.10.0.00	FIP FOR 4R1040NA FIREFIGHTING APPLICATION	1	
2	34.016.12.0.00	JOINT FOR FUEL PUMP (NON ASBESTOS)	1	
3	4H.006.13.0.00	LUB OIL SUPPLY PIPE, CRANKCASE TO FUEL PUMP, 210 L	1	
4	03.660.07.0.00	SPECIAL BANJO BOLT(L.O.SUPPLY TO PUMP)	2	
5	50.508.07.000.	COPPER WASHER (10X14)	4	
6	50.504.04.0.00	BANJO BOLT - M14X1.5	3	
7	50.508.12.000.	COPPER WASHER (14X20)	6	



**TITLE: - FUEL STOP SOLENOID S/F 4RNA  
ENGINE (ELECTRAL CONTROL MAKE,  
INDIGENIOUS, ENERGIZE TO STOP  
TYPE, 12VDC)**

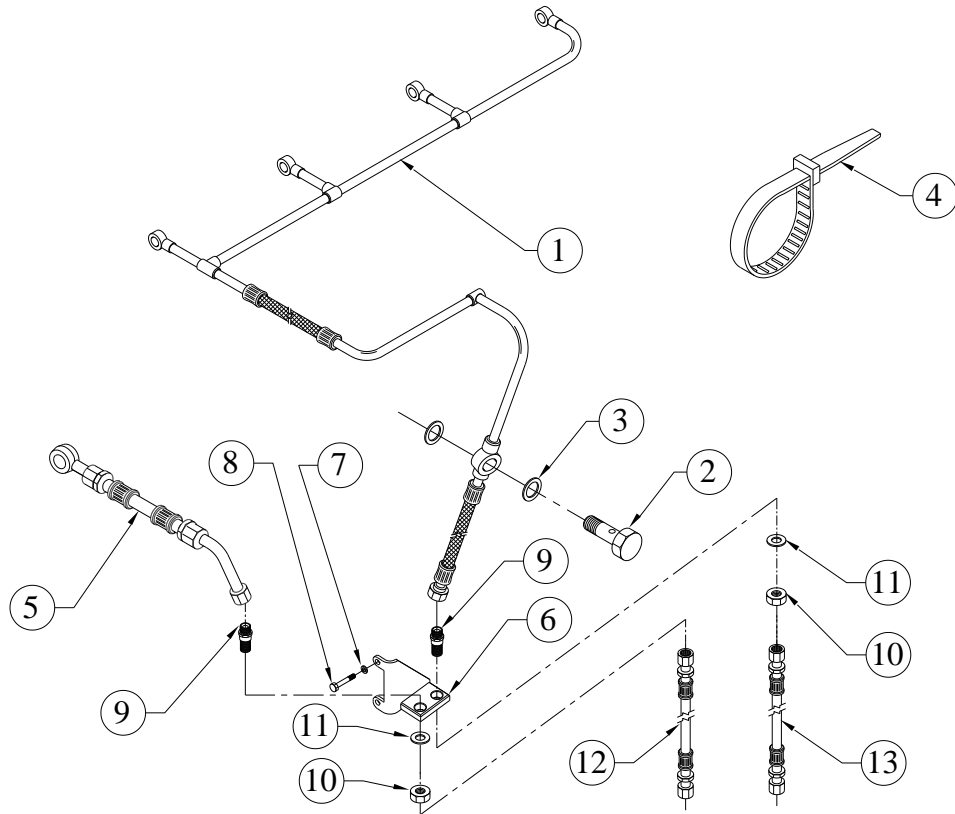
**GROUP: - 4H.1357.4**



SR.NO.	PART NO.	DESCRIPTION	QTY.	REMARKS
1	4H.1357.07.0.00	FUEL STOP SOLENOID ASSEMBLY S/F 4RNA ENGINE(ELECTRAL CONTROL MAKE,INDIGENIOUS, ENERGIZE TO STOP TYPE, 12VDC) WITH SUITABLE LINKAGE & HARDWARE	1	
2	50.003.06.015.	SET SCREW - M6X1X15 - 8.8	2	
3	50.506.06.000.	PLAIN MACHINED WASHER - M6	6	
4	50.003.06.035.	SET SCREW - M6X1X35 - 8.8	1	
5	34.188.05.0.00	PIN (BAR)	1	
6	50.036.03.001.	SPLIT COTTER PIN - 1/16"X1/2"	1	
7	50.006.06.000.	NUT - M6X1 - GR.8.8	2	

**TITLE: -FUEL SUPPLY AND RETURN ASSEMBLY**

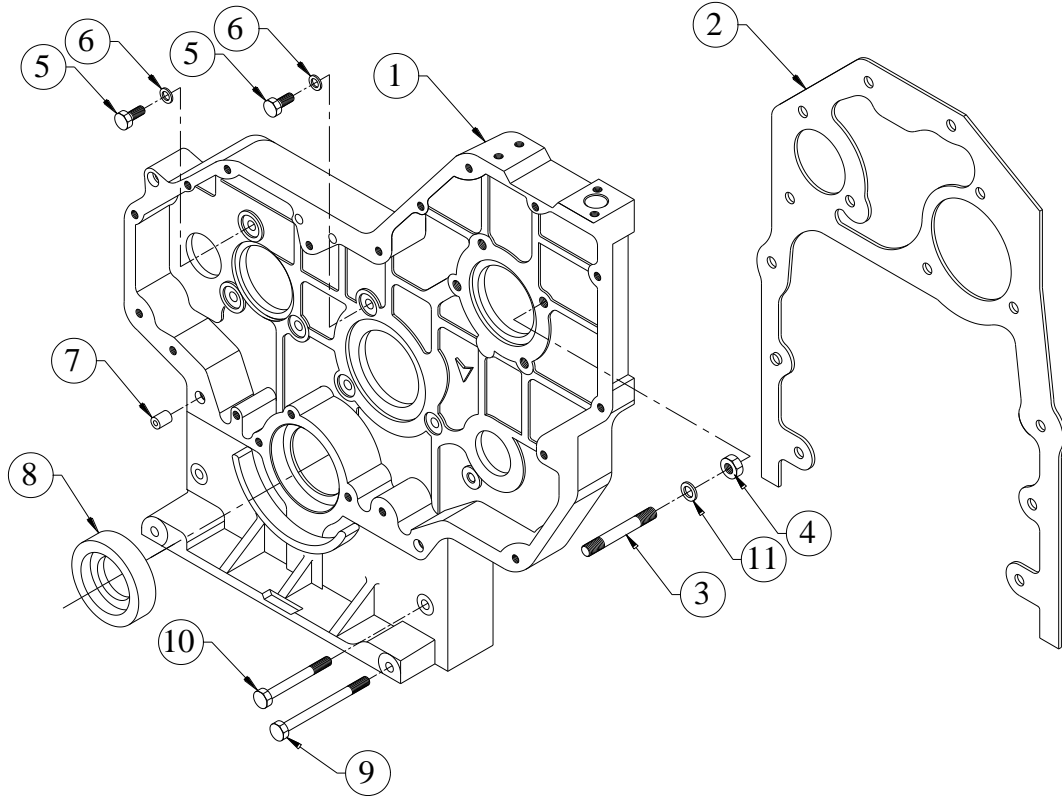
**GROUP: -4H.1374.1**



SR.NO.	PART NO.	DESCRIPTION	QTY.	REMARKS
1	4H.1374.09.0.PR	LEAK OFF PIPE ASSEMBLY	1	
2	03.027.04.0.00	BANJO BOLT	1	
3	4H.010.93.0.00	MICO COPPER WASHER FOR LEAK OFF PIPE (MICO NO. 2 916 710 603)	2	
4	4H.010.24.0.00	PLASTIC CLAMP	1	
5	4H.1374.08.0.PR	FUEL SUPPLY PIPE FOR 4R1040NA ENGINE	1	
6	4H.1375.03.0.00	FUEL SUPPLY AND RETURN BLOCK	1	
7	50.506.08.000.	PLAIN MACHINED WASHER - M8	2	
8	50.002.08.050.	SET BOLT - M8X1.25X50 - 8.8	2	
9	F6.418.04.0.00	ADAPTOR FOR FUEL SUPPLY AND RETURN BLOCK	2	
10	50.007.16.000.	NUT - M16X1.5 - GR.8	2	
11	50.506.16.000.	PLAIN MACHINED WASHER - M16	2	
12	4H.1375.06.0.PR	EXTENSION PIPE FOR FUEL SUPPLY	1	
13	4H.1375.07.0.PR	EXTENSION PIPE FOR FUEL RETURN	1	

**TITLE: - GEAR CASING WITH DEFLECTOR**

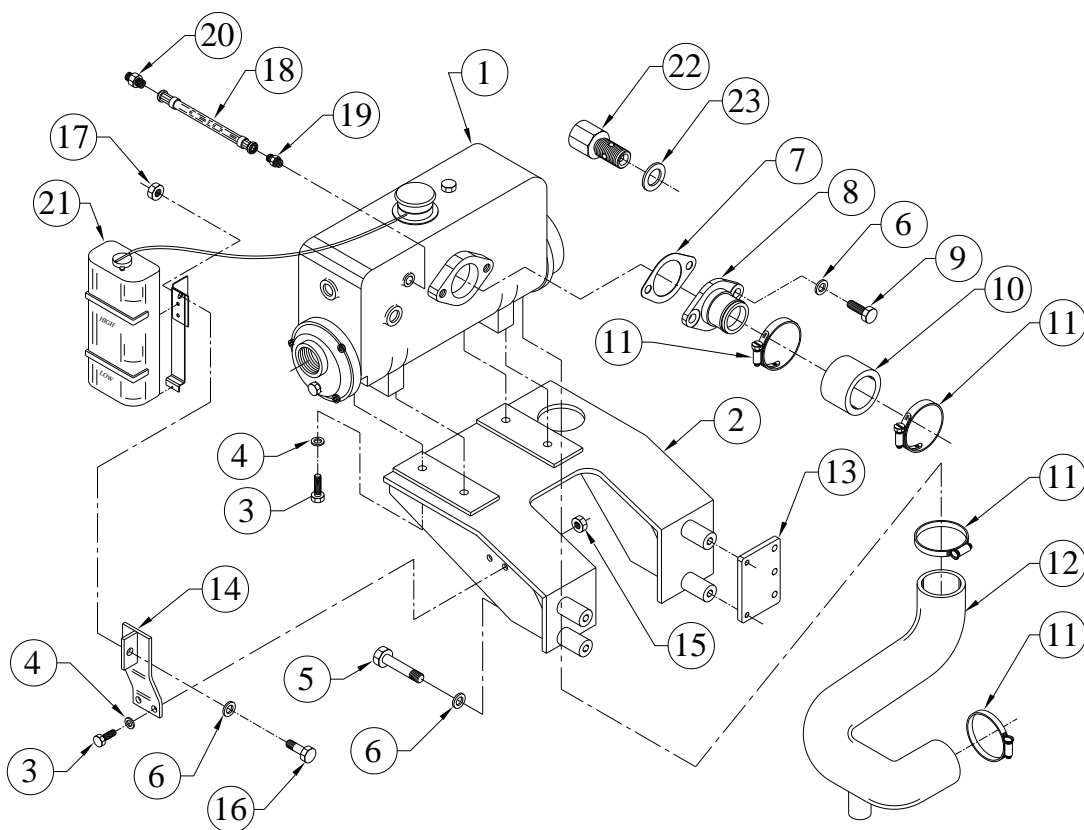
**GROUP: - 4H.1074...EXP**



SR.NO.	PART NO.	DESCRIPTION	QTY.	REMARKS
1	4H.178.02.0.00	GEAR CASING FOR PG ENGINE	1	
2	2H.005.11.0.00	JOINT FOR GEAR COVER	1	
3	50.010.10.030.	STUD - M10X1.5X30 - 8.8	4	
4	50.006.10.000.	NUT - M10X1.5 - GR.8.8	4	
5	50.003.08.025.	SET SCREW - M8X1.25X25 - 8.8	6	
6	50.506.08.000.	PLAIN MACHINED WASHER - M8	10	
7	34.001.23.0.00	DOWEL FOR GEAR CASING	2	
8	03.013.06.0.00	OIL SEAL (65X85X13)(CR MAKE)	1	
9	50.002.08.110.	SET BOLT - M8X1.25X110 - 8.8	2	
10	50.002.08.080.	SET BOLT - M8X1.25X80 - 8.8	2	
11	50.506.10.000.	PLAIN MACHINED WASHER - M10	4	

**TITLE: - HEAT EXCHANGER FOR 4R1040 F.F. ENGINES**

**GROUP: - 4H.1343.4**

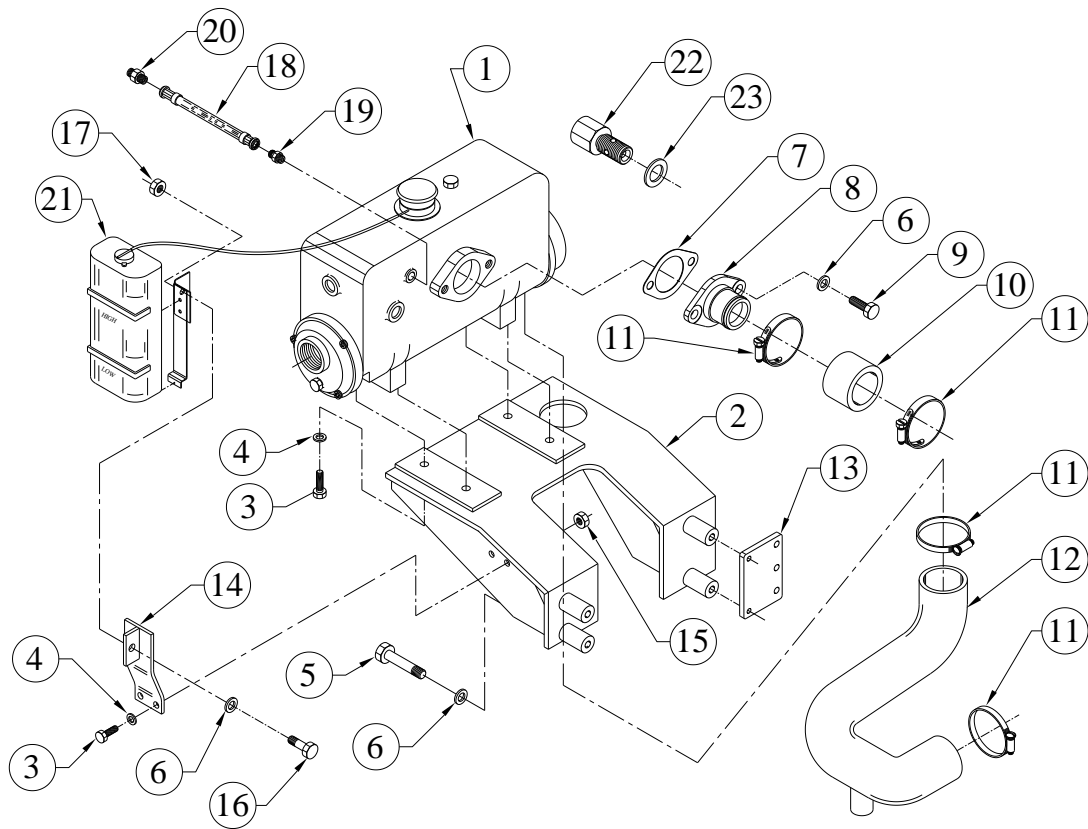


SR.NO.	PART NO.	DESCRIPTION	QTY.	REMARKS
1	4H.1343.14.0.00	HEAT EXCHANGER (S/F FRESH WATER) FOR 4R1040 F.F. ENGINES	1	
2	4H.1343.05.0.00	BRACKET FOR HEAT EXCHANGER MNTG	1	
3	50.003.08.022	SET SCREW - M8X1.25X22 - 8.8	6	
4	50.506.08.000	PLAIN MACHINED WASHER - M8	6	
5	50.002.10.070	SET BOLT - M10X1.5X70 - 8.8	4	
6	50.506.10.000	PLAIN MACHINED WASHER - M10	8	
7	4H.1343.06.0.00	JOINT FOR H.E. ADAPTOR	1	
8	4H.1343.04.0.00	ADAPTOR (FOR HEAT EXCHANGER)	1	
9	50.003.10.020	SET SCREW - M10X1.5X20 - 8.8	2	
10	4H.1343.02.0.00	RUBBER HOSE (HEAT EXCHANGER TO THERMOSTAT)	1	
11	4H.1712.24.0.00	HOSE T-BOLT CLAMP (DIA. 55-65)	4	
12	4H.1343.03.0.00	HOSE (H. EXCHANGER TO W.PUMP)	1	
13	4H.225.06.0.00	SPACER FOR BRACKET	1	
14	4H.1343.12.0.00	MOUNTING BRACKET (FOR RECOVERY TANK)	1	
15	50.006.08.000.	NUT- M8X1.25 - GR.8.8	2	



**TITLE: - HEAT EXCHANGER FOR 4R1040 F.F. ENGINES**

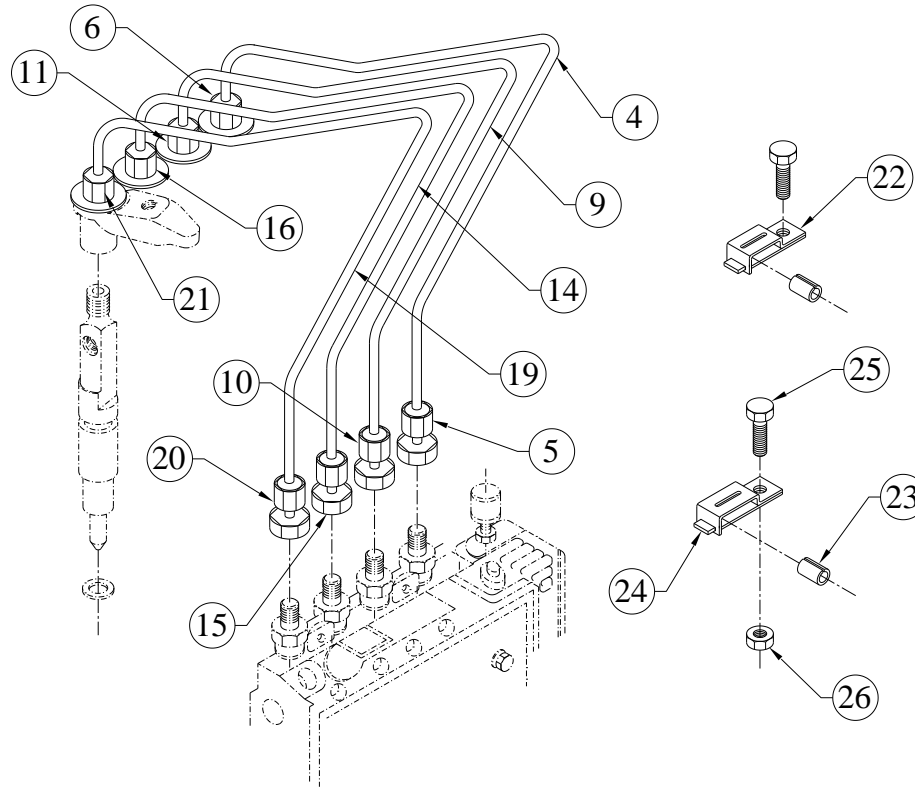
**GROUP: - 4H.1343.4**



SR.NO.	PART NO.	DESCRIPTION	QTY.	REMARKS
16	50.002.10.025	SET BOLT - M10X1.5X25 - 8.8	1	
17	50.006.10.000.	NUT - M10X1.5 - GR.8.8	1	
18	F6.557.09.0.00	FLEXIBLE PIPE VENT.CONN.TO MAKEUP W.TANK	1	
19	F6.982.14.0.00	ADAPTOR FOR VENT PIPE (M14X1.5 TO 1/4")	1	
20	4H.486.01.0.00	ADAPTOR FOR FUEL INLET (BOTH END M14X1.5)	1	
21	4H.762.03.0.00	RECOVERY TANK WITH PIPE (FOR 2R TO 4R RADIATORS)	1	
22	4H.225.32.0.PR	ADAPTOR FOR RAW WATER TEMP. SWITCH	1	
23	50.508.12.000	COPPER WASHER (14X20)	1	

**TITLE:- HIGH PRESSURE PIPE (700 MM)**

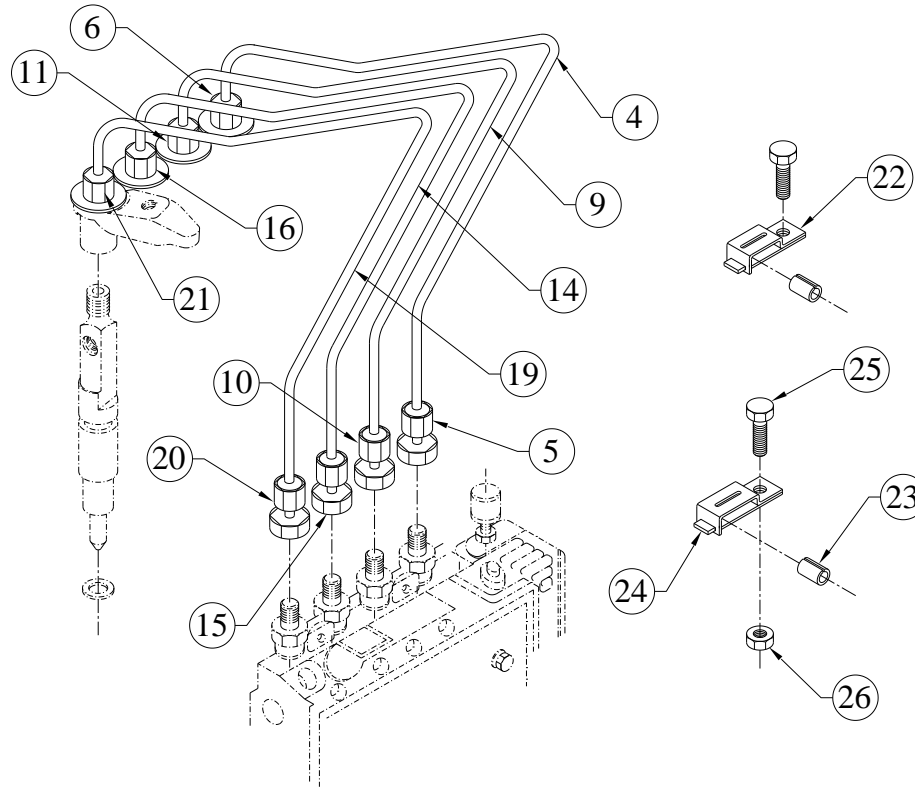
**GROUP:- 4H.050**



SR.NO.	PART NO.	DESCRIPTION	QTY.	REMARKS
*1	4H.050.60.0.00	H.P.PIPE COMPLETE SET (700 MM)	1	CONSISTING OF SR. NO.- 2,7,12, 17 & 22 TO 26
*2	4H.050.20.0.00	H.P.PIPE ASSLY.BEND,700 MM,CYL.NO.1	1	CONSISTING OF SR. NO.-3
*3	4H.050.10.0.00	H.P.PIPE ASSLY.700 MM, STRAIGHT.	1	CONSISTING OF SR. NO.- 4 TO 6
4	4H.050.01.0.00	H.P.PIPE,(6X1.8X700)	1	NOT SUPPLIED LOOSE
5	03.723.02.0.00	UNION NUT (M12X1.5)	1	NOT SUPPLIED LOOSE
6	03.723.03.0.00	UNION NUT (M14X1.5)	1	NOT SUPPLIED LOOSE
*7	4H.050.30.0.00	H.P.PIPE ASSLY,BEND,700 MM,CYL.NO.2	1	CONSISTING OF SR. NO.-8
*8	4H.050.10.0.00	H.P.PIPE ASSLY.700 MM, STRAIGHT.	1	CONSISTING OF SR. NO.- 9 TO 11

**TITLE:- HIGH PRESSURE PIPE (700 MM)**

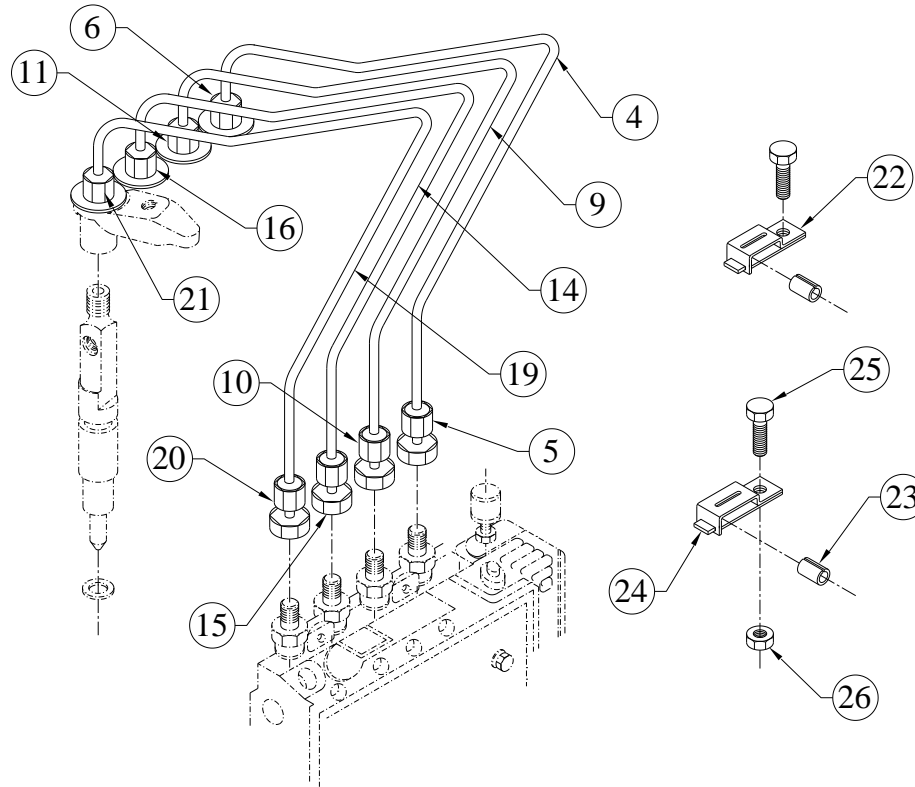
**GROUP:- 4H.050**



SR.NO.	PART NO.	DESCRIPTION	QTY.	REMARKS
9	4H.050.01.0.00	H.P.PIPE,(6X1.8X700)	1	NOT SUPPLIED LOOSE
10	03.723.02.0.00	UNION NUT (M12X1.5)	1	NOT SUPPLIED LOOSE
11	03.723.03.0.00	UNION NUT (M14X1.5)	1	NOT SUPPLIED LOOSE
*12	4H.050.40.0.00	H.P.PIPE ASSLY.,BEND,700 MM,CYL.NO.3	1	CONSISTING OF SR. NO.-13
*13	4H.050.10.0.00	H.P.PIPE ASSLY.700 MM, STRAIGHT.	1	CONSISTING OF SR. NO.- 14 TO 16
14	4H.050.01.0.00	H.P.PIPE,(6X1.8X700)	1	NOT SUPPLIED LOOSE
15	03.723.02.0.00	UNION NUT (M12X1.5)	1	NOT SUPPLIED LOOSE
16	03.723.03.0.00	UNION NUT (M14X1.5)	1	NOT SUPPLIED LOOSE
*17	4H.050.50.0.00	H.P.PIPE ASSLY,BEND,700 MM,CYL.NO.4	1	CONSISTING OF SR. NO.-18

**TITLE:- HIGH PRESSURE PIPE (700 MM)**

**GROUP:- 4H.050**

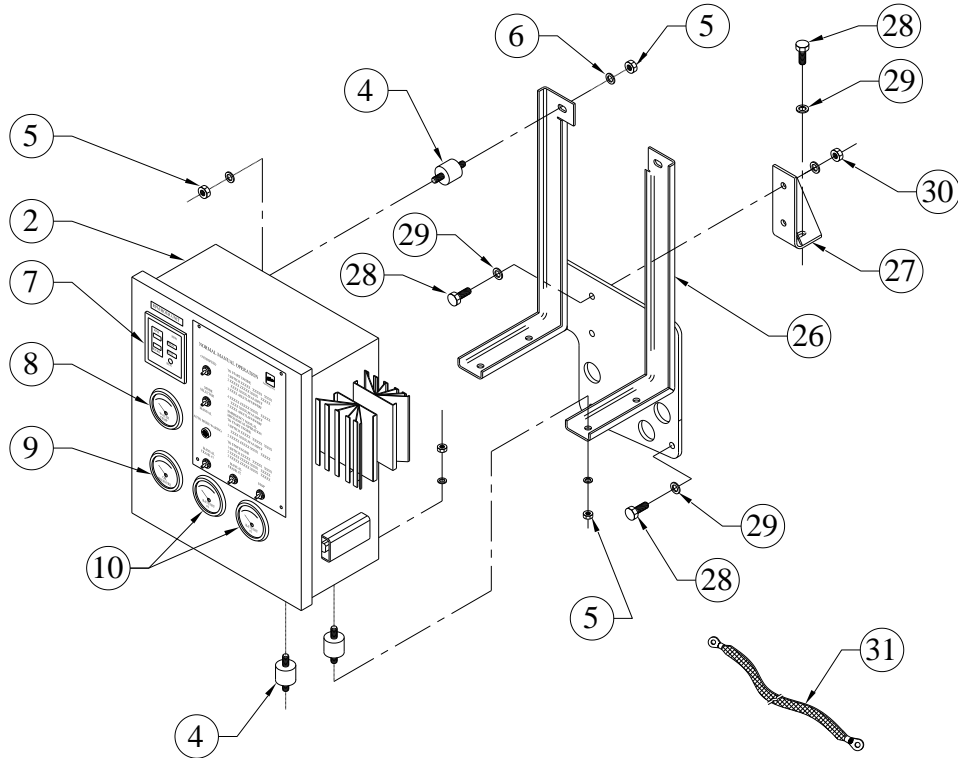


SR.NO.	PART NO.	DESCRIPTION	QTY.	REMARKS
*18	4H.050.10.0.00	H.P.PIPE ASSLY.700 MM, STRAIGHT.	1	CONSISTING OF SR. NO.- 19 TO 21
19	4H.050.01.0.00	H.P.PIPE,(6X1.8X700)	1	NOT SUPPLIED LOOSE
20	03.723.02.0.00	UNION NUT (M12X1.5)	1	NOT SUPPLIED LOOSE
21	03.723.03.0.00	UNION NUT (M14X1.5)	1	NOT SUPPLIED LOOSE
22	50.541.02.000.	PIPE CLIP. (FOR 3 PIPES)	1	
23	02.036.03.0.00	RUBBER SLEEVE	7	
24	50.541.03.000.	PIPE CLIP (FOR 4 PIPES)	1	
25	50.003.06.012.	SET SCREW - M6X1X12 - 8.8	2	
26	50.006.06.000.	NUT - M6X1 - GR.8	2	



**TITLE: - INSTRUMENTAL PANEL (REVISED STANDARD,FM/UL TYPE) 12V FOR FIRE FIGHTING APPLICATION.**

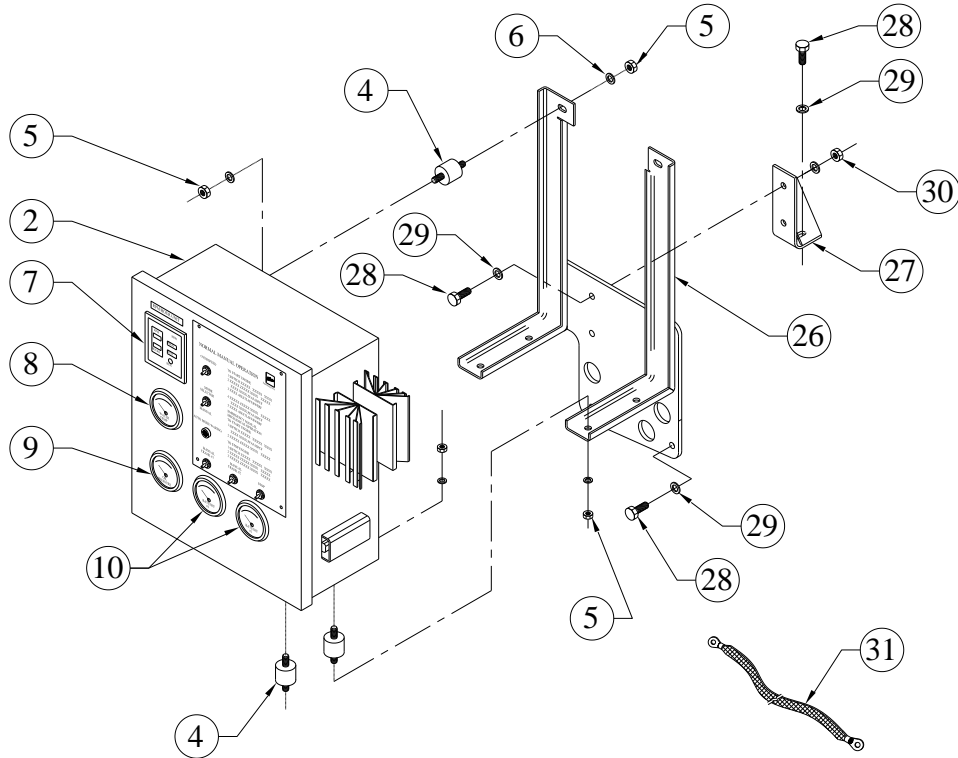
**GROUP: - 4H.1364.2**



SR.NO.	PART NO.	DESCRIPTION	QTY.	REMARKS
*1	4H.1364.30.0.PR	INSTRUMENTAL PANEL ASSEMBLY(REVISED SRTANDARD,FM/UL TYPE) 12V FOR FIRE FIGHTING APPLICATION	1	CONSISTING OF SR. NO. 2 TO 25
2	6H.1147.03.0.PR	CONTROL PANEL FABRICATED BOX WITH POWDERCOATING S/F FIRE FIGHTING(FM/UL) REVISED STANDARD	1	
*3	4H.1364.22.0.PR	CONTROL WIRING CIRCUIT DIAGRAM FOR FIREFIGHTING PANEL 12VDC(FM/UL) REVISED STANDARD	1	NOT ILLUSTRATED
4	3H.880.02.0.00	ANTI VIBRATION MOUNTING FOR CONTROL PANEL TS STANDARD MAKES (20 MM HEIGHT).	6	
5	50.006.08.000.	NUT- M8X1.25 - GR.8.8	14	
6	50.506.08.000.	PLAIN MACHINED WASHER - M8	14	

**TITLE: - INSTRUMENTAL PANEL(REVISED STANDARD,FM/UL TYPE) 12V FOR FIRE FIGHTING APPLICATION.**

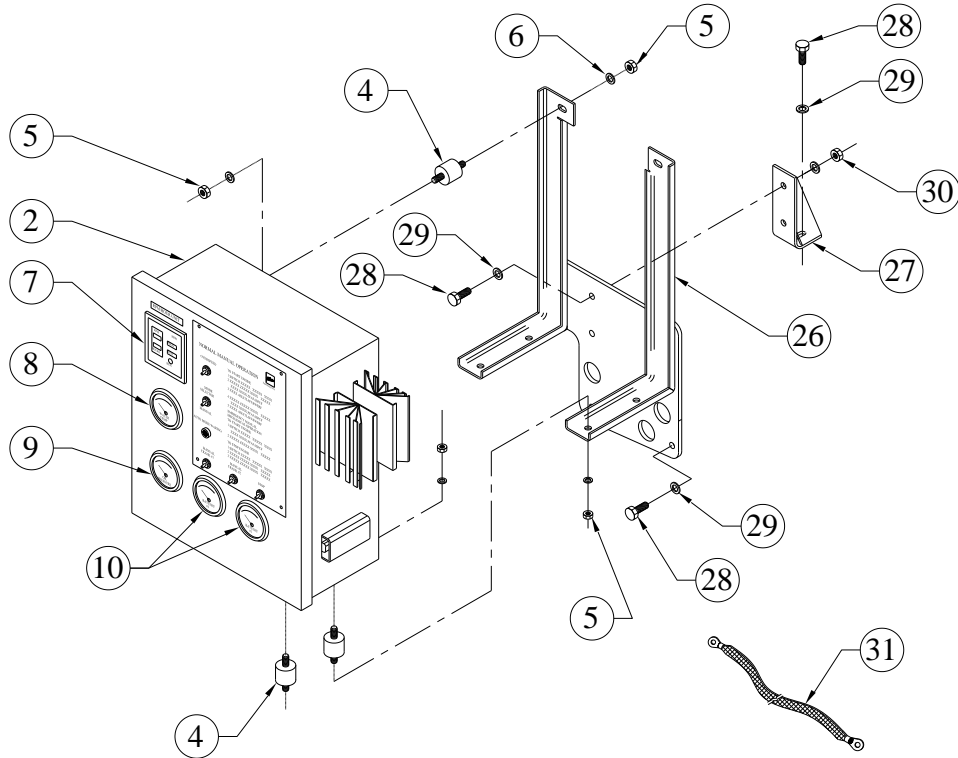
**GROUP: - 4H.1364.2**



SR.NO.	PART NO.	DESCRIPTION	QTY.	REMARKS
7	3H.130.05.0.00	DIGITAL RPM METER WITH HOURMETER (SUPPLY VOLTAGE 8 TO 32 DC V INDIGENIOUS DEVELOPED) FOR FIRE FIGHTING APPLICATION	1	
8	46.065.02.0.00	ELEC.WT GAUGE 12 V VDO MAKE	1	
9	46.250.01.0.00	ELECTRICAL LUB OIL PRESSURE GAUGE 0-10BAR ,12 V D.C. VDO MAKE	1	
10	4H.865.06.0.00	DC VOLT METER 8 TO 16 V 53 DIA VDO MAKE	2	
*11	02.472.25.0.00	RELAY CARD WITH 3 RELAY (FOR START STOP)	1	NOT ILLUSTRATED
*12	4H.865.01.0.00	RELAY BOARD (4 RELAY) UL MAKE CONTACT RAITING 5 AMP.12 V DC 2C/O WITH OMRON RELAY.	1	NOT ILLUSTRATED

**TITLE: - INSTRUMENTAL PANEL (REVISED STANDARD,FM/UL TYPE) 12V FOR FIRE FIGHTING APPLICATION.**

**GROUP: - 4H.1364.2**

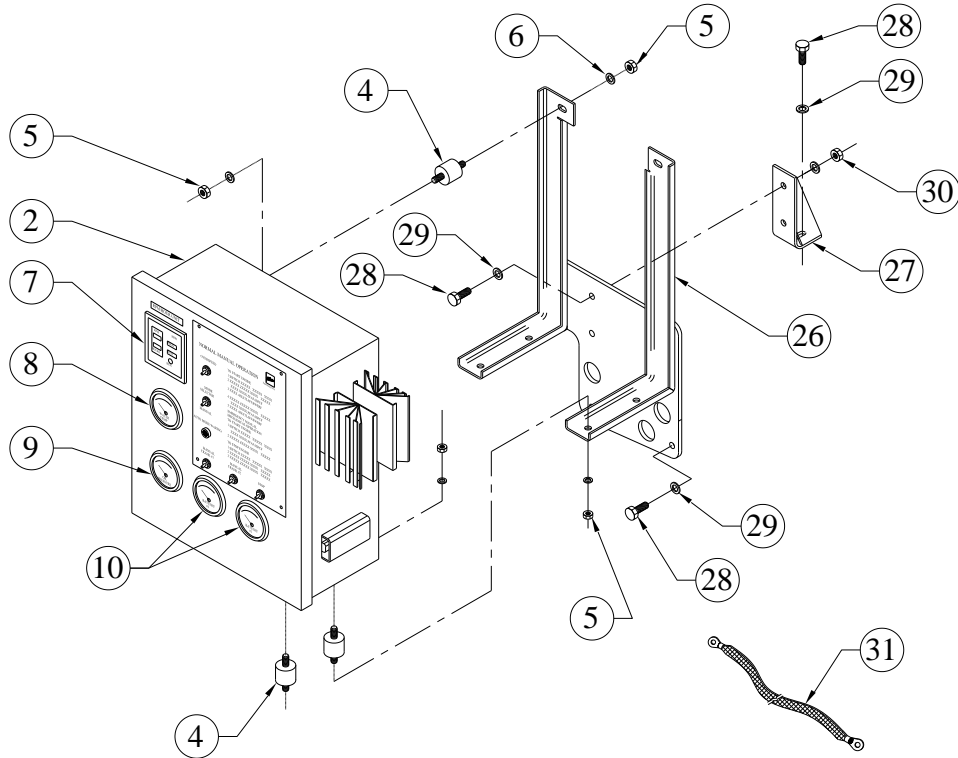


SR.NO.	PART NO.	DESCRIPTION	QTY.	REMARKS
*13	3H.864.03.0.00	MCB 4A SP MERLINGERIN MAKE (C60H1P4AC)	2	NOT ILLUSTRATED
*14	4H.1364.07.0.00	INDICATION LAMP LED TYPE 12VDC 16MM DIA SUMO MAKE	1	NOT ILLUSTRATED
*15	4H.1364.09.0.00	TOGGLE SWITCH ON/OFF 10AMP.WITH RUBBERCAP SWTRONIC MAKE MODEL NO.T902A1-W122-G	1	NOT ILLUSTRATED
*16	4H.1364.11.0.00	TOGGLE SWITCH ON/OFF SPRING RETURN TYPE 10AMP.WITH RUBBER SEAL CAP SWTRONIC MAKE T902D1-WN22-G	3	NOT ILLUSTRATED
*17	4H.1364.13.0.00	TERMINAL STRIP 16WAY IMPORTED 30AMP.	1	NOT ILLUSTRATED
*18	6H.902.11.0.00	16-PIN CONNECTOR ALLIED MAKE MS3102-36-14P (MALE TYPE)	1	NOT ILLUSTRATED



**TITLE: - INSTRUMENTAL PANEL(REVISED STANDARD,FM/UL TYPE) 12V FOR FIRE FIGHTING APPLICATION.**

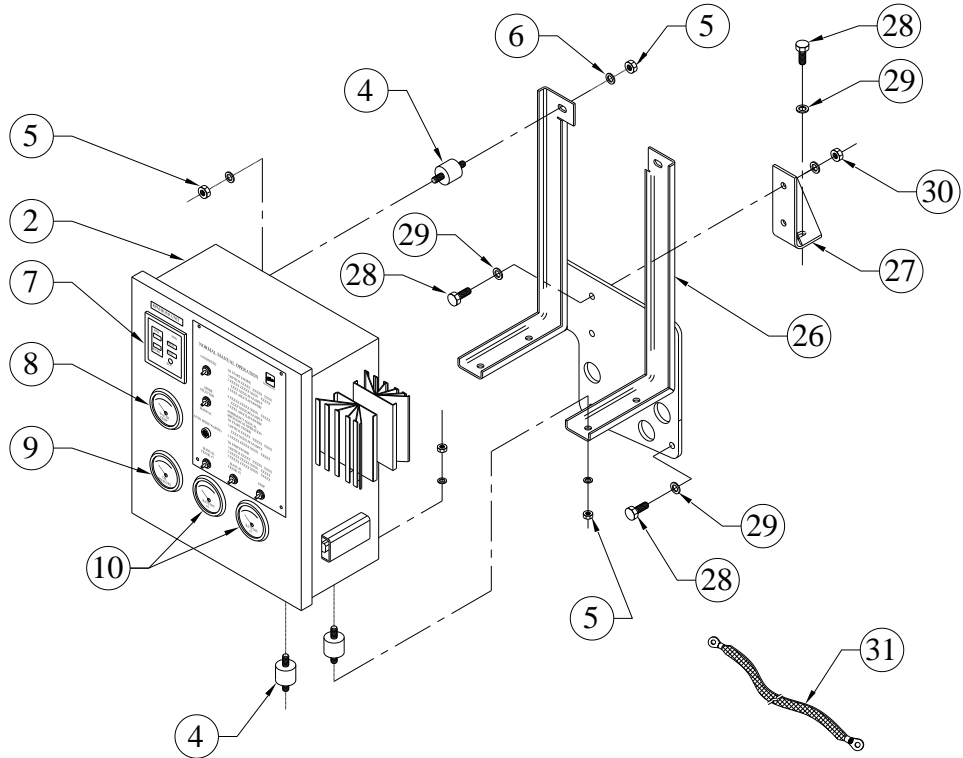
**GROUP: - 4H.1364.2**



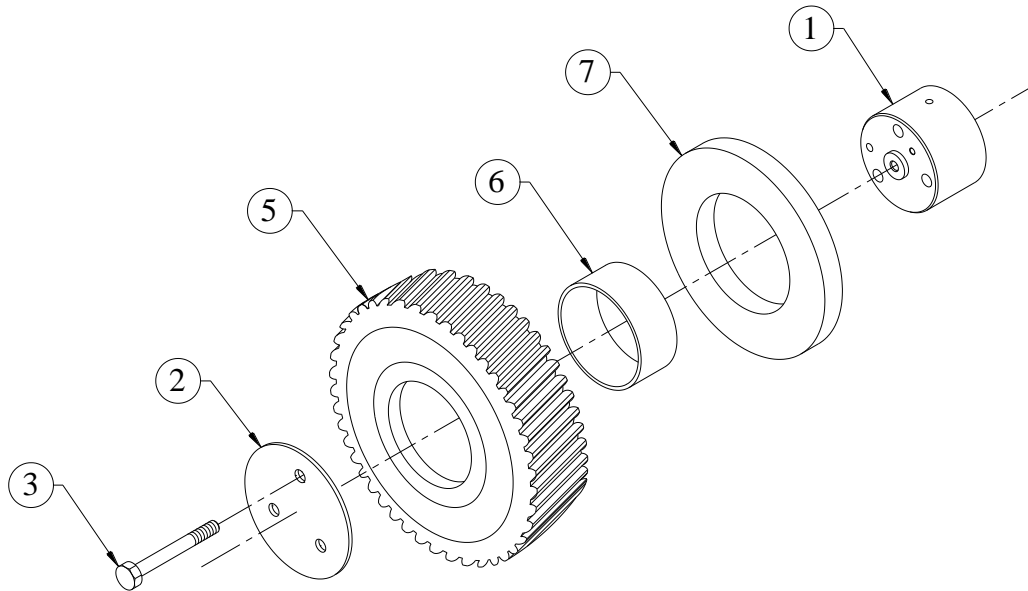
SR.NO.	PART NO.	DESCRIPTION	QTY.	REMARKS
*19	6H.902.25.0.00	23-PIN CONNECTOR ALLIED MAKE MS-3102-R-32-6-P (MALE TYPE PINS)+C&C+SQG	1	NOT ILLUSTRATED
*20	4H.1364.12.0.00	RECTIFIER DIODE BRIDGE 16AMP HIND MAKE MODEL NO.HB37-02	4	NOT ILLUSTRATED
*21	4H.1364.14.0.00	CONTROL PANEL OPERATING INSTRUCTION PLATE PRINTED WHITE BACKGROUND & BLACK LETTER 1.6MMTHICK, ALLUMINIUM SHEET.	1	NOT ILLUSTRATED
*22	4H.1364.15.0.00	DIODE MOUDLE FOR BATTERY CHARGING 150AMP, CRYDOM MAKE MODEL NO. F1892CAD400	1	NOT ILLUSTRATED
*23	4H.1364.16.0.00	HEAT SINK FOR BATTERY CHARGING DIODE MODULE	1	NOT ILLUSTRATED
*24	4H.1364.17.0.00	THREE WAY TERMINAL BLOCK 100AMP,V-CON MAKE MTB100	1	NOT ILLUSTRATED

**TITLE: - INSTRUMENTAL PANEL(REVISED STANDARD,FM/UL TYPE) 12V FOR FIRE FIGHTING APPLICATION.**

**GROUP: - 4H.1364.2**



SR.NO.	PART NO.	DESCRIPTION	QTY.	REMARKS
25	4H.1346.06.0.00	INSTRUMENT PANEL MOUNTING BRACKET (FOR FIRE FIGHTING)	1	
26	4H.1346.07.0.00	SUPPORT FOR CONTROL PANEL	1	
27	50.003.08.020.	SET SCREW - M8X1.25X20 - 8.8	5	
28	50.506.08.000.	PLAIN MACHINED WASHER - M8	7	
29	50.006.08.000.	NUT- M8X1.25 - GR.8.8	2	
30	4H.872.03.0.00	EARTHING CABLE (BRADED) 6MM DIA. WITH SUITABLE LUG. ALT. TO BASE PLATE FOR 50 & 72 KVA SAUDI PROJECT.350MM LENGTH	1	

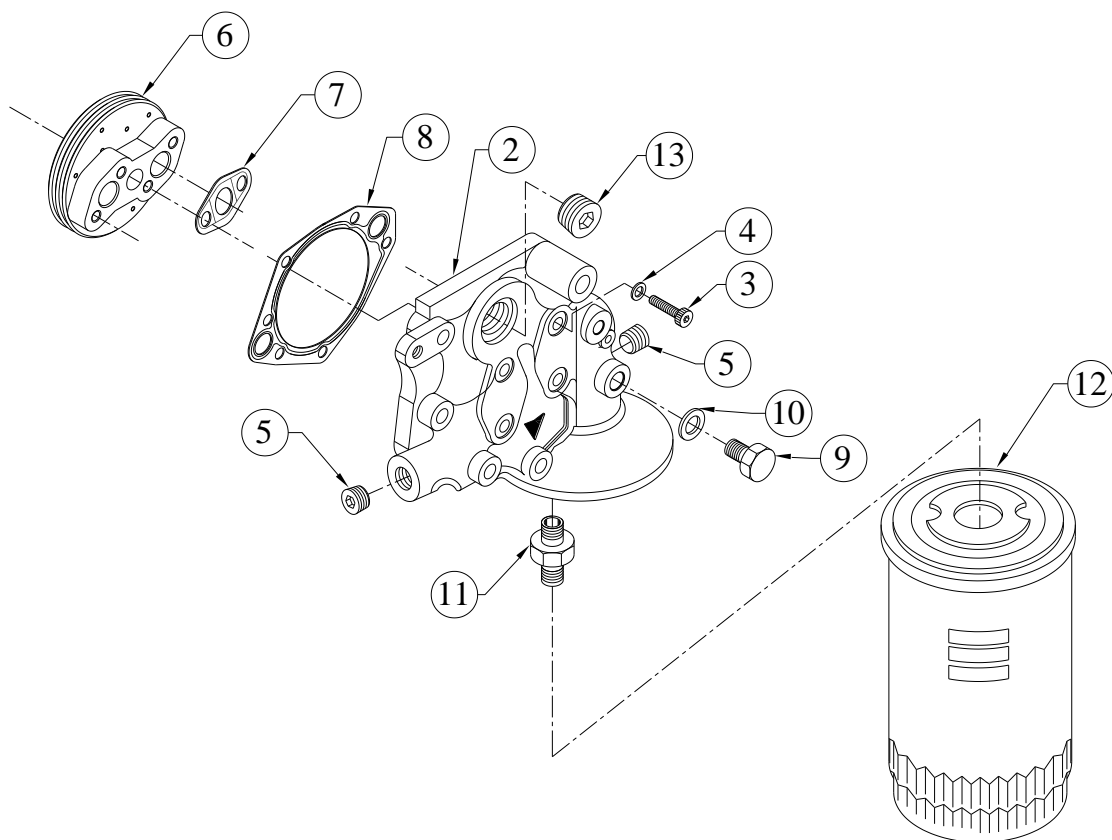
**TITLE: - INTERMEDIATE GEAR AND SUPPORT****GROUP: - 4H.237**

SR.NO.	PART NO.	DESCRIPTION	QTY.	REMARKS
1	4H.237.01.0.00	INTERMEDIATE GEAR SUPPORT	1	
2	2H.004.04.0.00	RETAINING PLATE (FOR INT.GEAR)	1	
3	50.002.08.070.	SET BOLT - M8X1.25X70 - 8.8	3	
*4	2H.038.10.0.00	ASSLY OF INTERMEDIATE GEAR & BUSH	1	CONSISTING OF SR. NO. 5 TO 6
5	2H.038.03.0.00	INTERMEDIATE GEAR(FINISH)	1	NOT SUPPLIED LOOSE
6	2H.004.02.9.00	BUSH FOR INTERMEDIATE GEAR	1	NOT SUPPLIED LOOSE
7	2H.038.02.0.00	THRUST WASHER	1	



**TITLE: - LUB OIL HEADER & FILTER ASSLY  
S/F WATER JACKET HEATING**

**GROUP: - 4H.690**

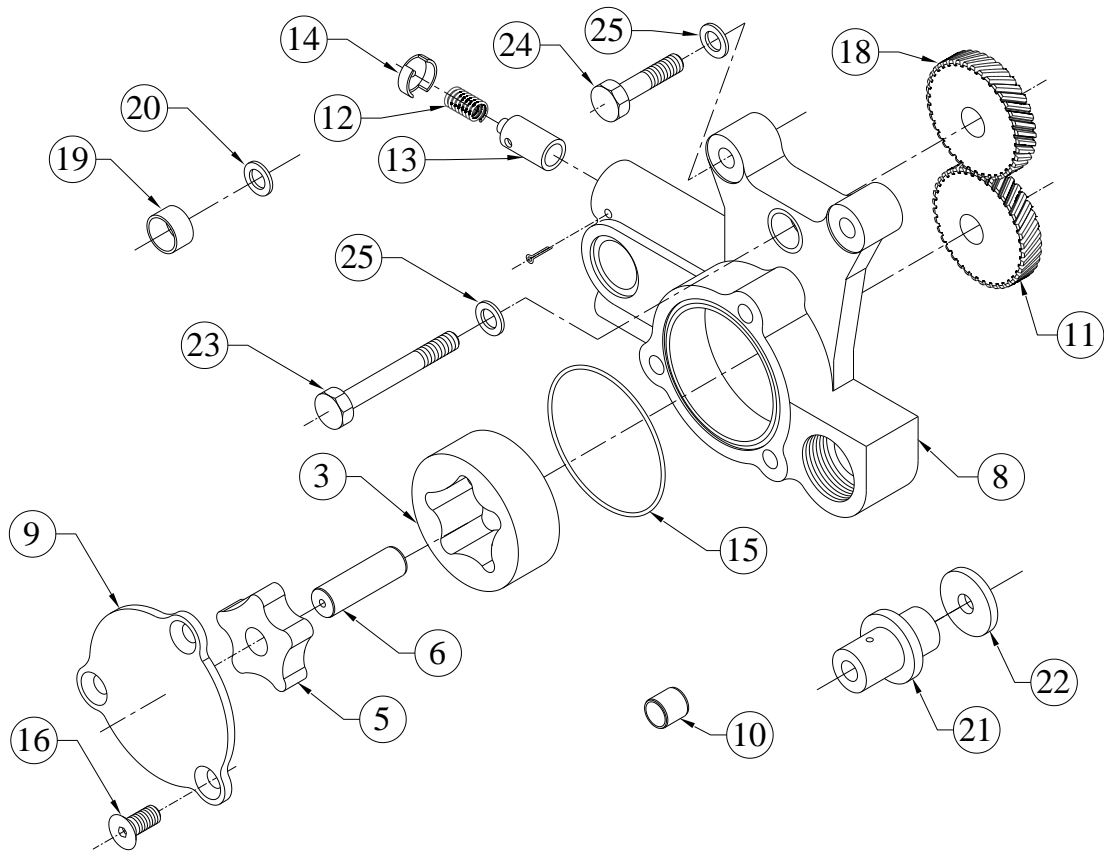


SR.NO.	PART NO.	DESCRIPTION	QTY.	REMARKS
*1	4H.690.30.0.00	LUB OIL COOLER & SPIN ON FILTER S/F KIM HOT START	1	CONSISTING OF SR. NO. 2 TO 13
2	3H.192.01.0.00	HEADER FOR L.O. COOLER & FILTER S/F WATER JACKET HEATING	1	
3	50.011.08.040.	SOCKET HEAD SCREW - M8X1.25X40 - 8.8	4	
4	50.506.08.000.	PLAIN MACHINED WASHER - M8	6	
5	50.056.06.000.	HEADLESS PIPE PLUG 1/2"-14 NPTF	2	
6	3H.007.11.0.00	LUB OIL COOLER (3 PLATE)	1	
7	3H.007.13.0.00	JOINT FOR LUB OIL COOLER (NON ASBESTOS GASKET)	2	
8	3H.007.15.0.00	JOINT FOR HEADER	1	
9	34.001.09.0.00	PLUG FOR OIL GALLERY	1	
10	50.508.08.000.	COPPER WASHER (10X16)	1	
11	3H.007.05.0.00	ADAPTOR FOR SPIN ON FILTER	1	
12	06.436.01.0.00	SPIN ON FILTER FOR LUBRICATING OIL	1	
13	50.056.07.000.	HEADLESS PIPE PLUG (NPTF 14-3/4")	1	



**TITLE: - LUB OIL PUMP.**

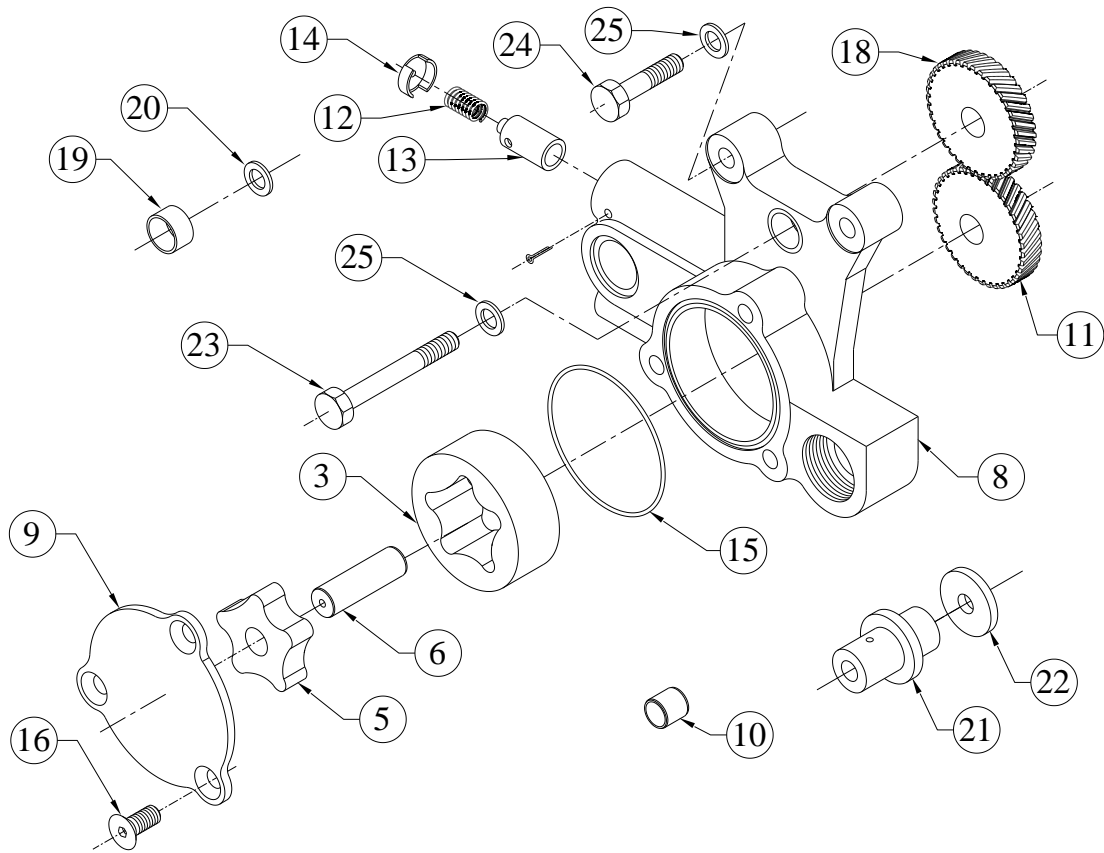
**GROUP: - 3H.005**



SR.NO.	PART NO.	DESCRIPTION	QTY.	REMARKS
*1	3H.005.50.0.00	LUB OIL PUMP SUB ASSEMBLY	1	CONSIST. OF SR. NO. 2,17 20 TO 22
*2	3H.005.10.0.00	LUB OIL PUMP ASSLY.	1	CONSIST. OF SR. NO. 3,4, & 7
3	03.010.17.0.00	OUTER ROTOR	1	NOT SUPPLIED LOOSE
*4	3H.005.40.0.00	ROTOR SUB ASSLY.(W/O KEY)	1	CONSIST. OF SR. NO. 5 & 6
5	03.010.22.0.00	INNER ROTOR	1	NOT SUPPLIED LOOSE
6	03.010.23.0.00	SHAFT FOR INNER ROTOR	1	NOT SUPPLIED LOOSE
*7	3H.005.90.0.00	LUB OIL PUMP ASSEMBLY KIT	1	CONSIST. OF SR. NO. 8 TO 16
8	3H.005.01.0.00	L.O.PUMP BODY(COMPACT VERSION)(FINISH)	1	NOT SUPPLIED LOOSE
9	06.010.02.0.00	COVER PLATE	1	NOT SUPPLIED LOOSE
10	03.010.05.0.00	BUSH FOR L.O.PUMP BODY	1	NOT SUPPLIED LOOSE

**TITLE: - LUB OIL PUMP.**

**GROUP: - 3H.005**



SR.NO.	PART NO.	DESCRIPTION	QTY.	REMARKS
11	3H.005.04.0.00	LUB.OIL PUMP DRIVING GEAR(FINISH)	1	NOT SUPPLIED LOOSE
12	03.010.14.0.00	SPRING FOR RELIEF VALVE	1	NOT SUPPLIED LOOSE
13	03.010.13.0.00	RELIEF VALVE	1	NOT SUPPLIED LOOSE
14	03.010.15.0.00	CUP FOR SPRING	1	NOT SUPPLIED LOOSE
15	03.010.11.0.00	O RING - L.O.PUMP (1.57X65,21508)	1	
16	06.010.01.0.00	COUNTER SUNK SOCKET HEAD SCREW.	3	
*17	3H.005.30.0.00	SUB.ASSLY.OF L.O.PUMP INT.GEAR AND BUSH.	1	CONSIST. OF SR. NO. 18 & 19
18	3H.005.03.0.00	INTERMEDIATE GEAR (FOR L.O.PUMP)(FINISH)	1	
19	34.014.12.0.00	BUSH FOR LEVER	1	
20	02.024.38.0.00	WASHER(ROCKER LEVER)	1	
21	4H.372.01.0.00	SHAFT FOR LUB OIL PUMP (INTERMEDIATE GEAR)	1	NOT SUPPLIED LOOSE
22	4H.372.02.0.00	HARD WASHER ( FOR INT. GEAR)	1	

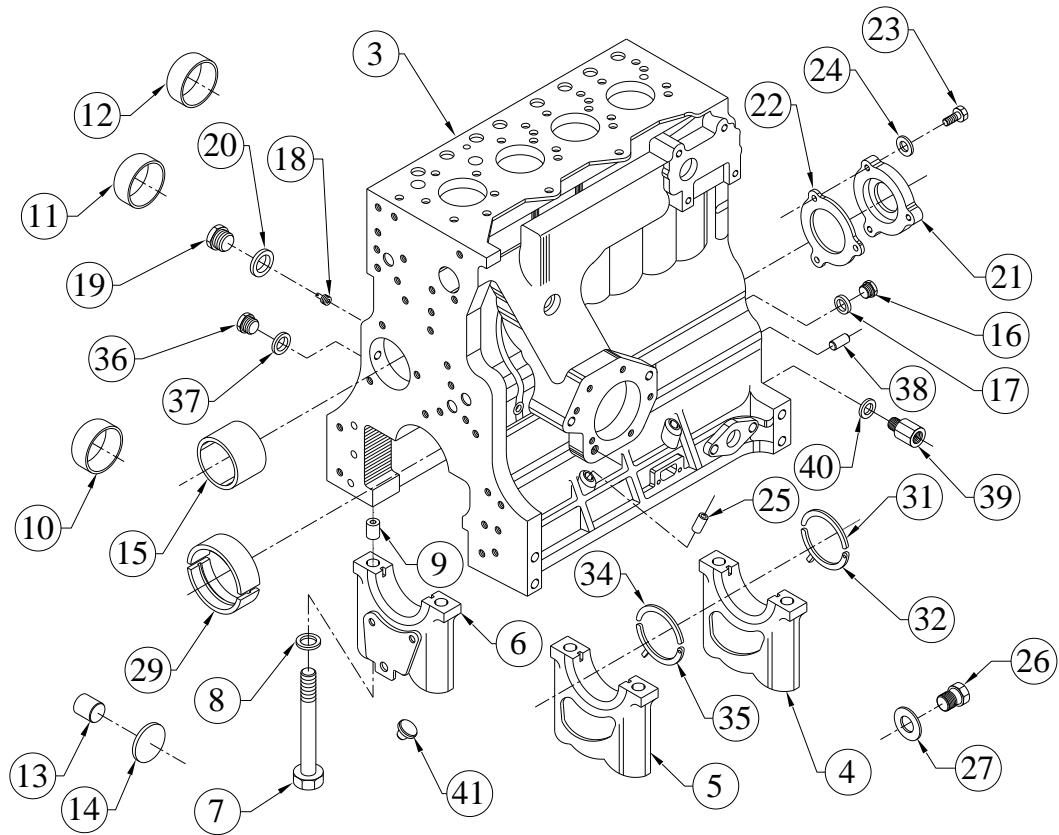






**TITLE: - MONOBLOCK CRANKCASE**

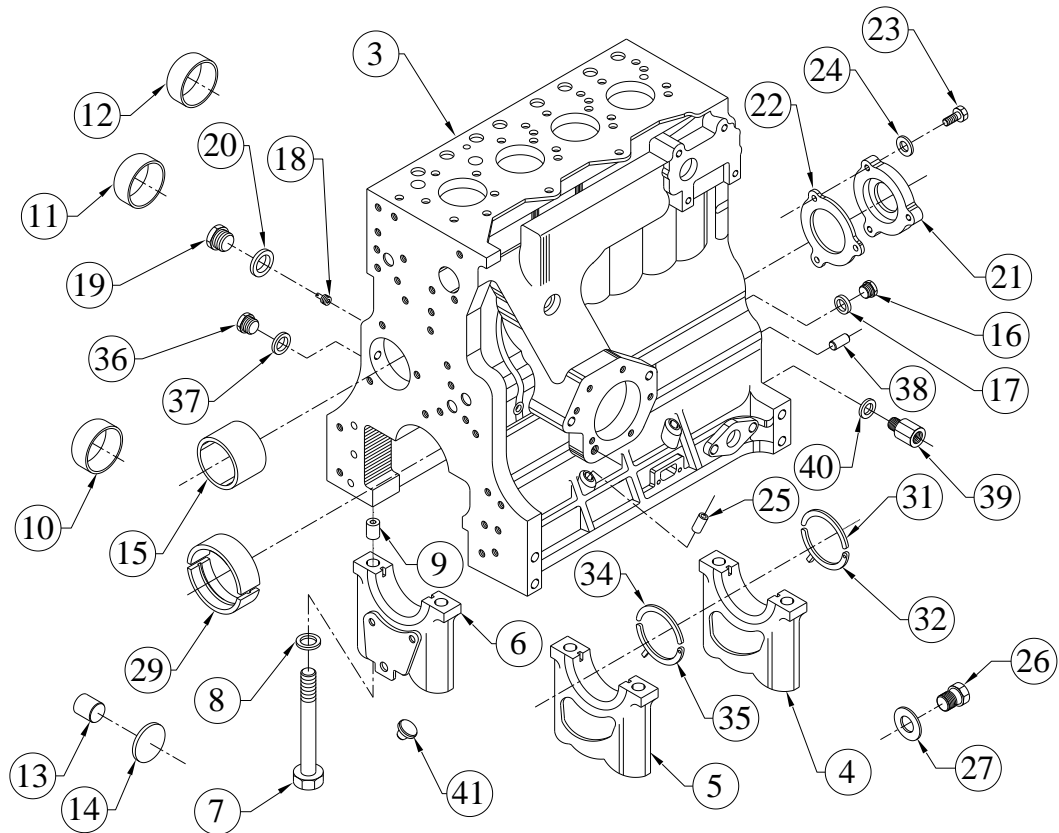
**GROUP: - 4H.1179**



SR.NO.	PART NO.	DESCRIPTION	QTY.	REMARKS
*1	4H.1179.10.0.00	MONOBLOCK CRANKCASE W/O BEARING	1	CONSISTING OF SR. NO. 2, 15 TO 27
*2	4H.1179.40.0.00	CRANKCASE WITH MB/CAPS (LINE BORE OPERATION)	1	CONSISTING OF SR. NO. 3 TO 14
3	4H.001.16.0.00	MONOBLOCK CRANKCASE(MACHINING)	1	NOT SUPPLIED LOOSE
4	03.001.23.0.00	M.B.CAP (FWE) 16.99 DIA. DOWEL HOLE	1	NOT SUPPLIED LOOSE
5	03.001.24.0.00	M.B.CAP (KHD)16.99DIA DOWEL HOLES	3	NOT SUPPLIED LOOSE
6	4H.001.02.0.00	BEARING CAP(GEAR END)(FINISH)	1	NOT SUPPLIED LOOSE
7	03.001.22.0.00	BOLT FOR MB CAP (HEX HEAD) M14X2X128	10	
8	02.001.04.0.00	SPECIAL WASHER FOR M14 BOLT	10	
9	B2.005.16.0.00	HOLLOW DOWEL(M.B.CAP)	10	
10	F6.007.34.0.00	SEALING CAP	5	
11	F6.001.58.0.00	SEALING CAP.(40 DIN 443)	2	

**TITLE: - MONOBLOCK CRANKCASE**

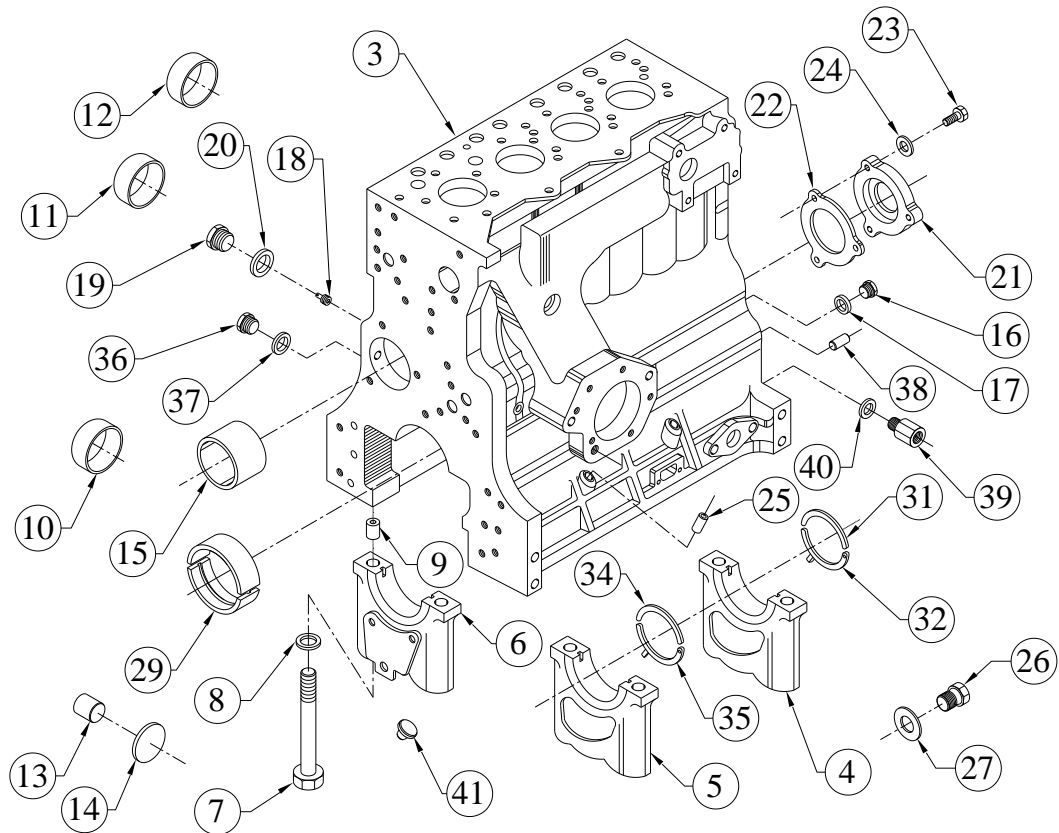
**GROUP: - 4H.1179**



SR.NO.	PART NO.	DESCRIPTION	QTY.	REMARKS
12	4H.001.05.0.00	SEALING CAP	3	
13	34.003.07.0.00	CRANK SHAFT PLUG - ALUMINIUM	2	
14	34.003.08.0.00	WASHER FOR ALU.PLUG.	2	
15	03.001.04.0.00	CAM BUSH	1	
16	04.001.08.0.00	PRECOATED SCREW PLUG	1	
17	50.508.19.000.	COPPER WASHER (20X26)	1	
18	03.001.07.0.00	SLOTTED PIN	5	
19	4H.001.22.0.00	PRECOATED PLUG	5	
20	50.508.10.000.	COPPER WASHER (12X18)	5	
21	4H.001.03.0.00	BLANKING PLATE FOR CAM BORE	1	
22	4H.001.14.0.00	JOINT FOR CAM BORE BLANKING PLATE	1	
23	50.003.08.025.	SET SCREW - M8X1.25X25 - 8.8	3	
24	50.506.08.000.	PLAIN MACHINED WASHER - M8	3	
25	02.037.04.0.00	DIPSTICK GUIDE	1	
26	34.001.35.0.00	PRECOATED PLUG (FOR OIL GALLERY)	1	
27	50.508.07.000.	COPPER WASHER (10X14)	1	

**TITLE: - MONOBLOCK CRANKCASE**

**GROUP: - 4H.1179**

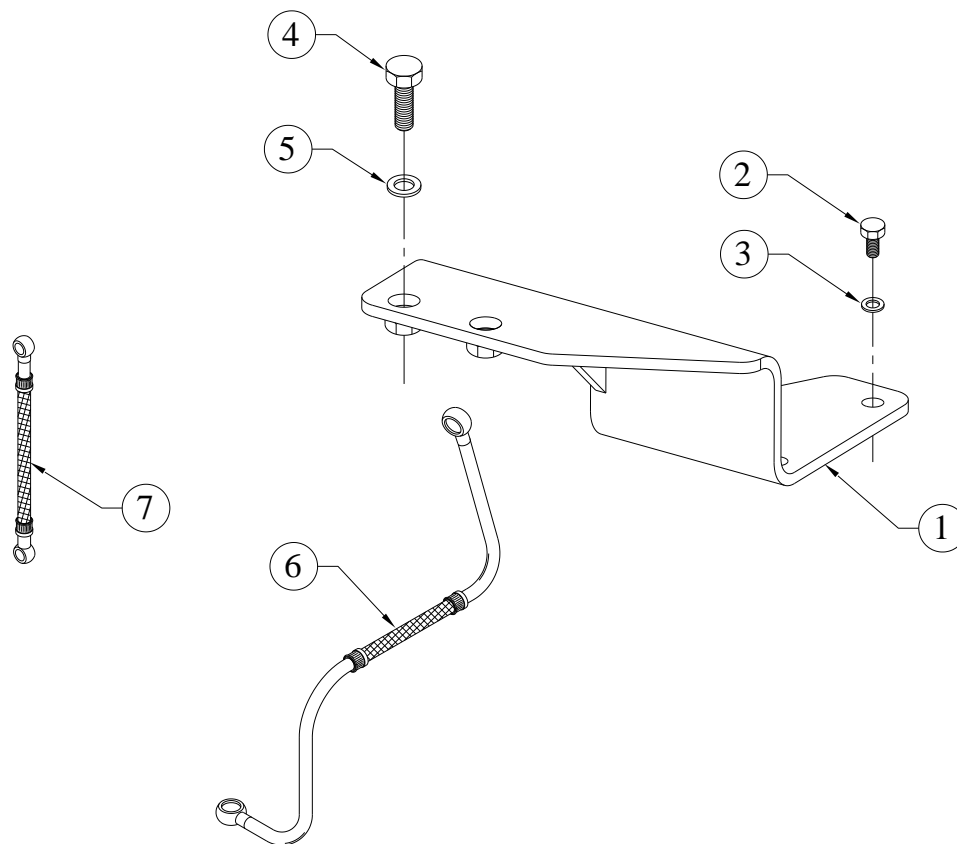


SR.NO.	PART NO.	DESCRIPTION	QTY.	REMARKS
*28	02.001.07.0.00	MAIN BRG TOP & BOTTOM	5	CONSISTING OF SR. NO. 29
29	02.001.87.0.00	MAIN BEARING HALF(STANDARD)	2	
*30	03.001.18.0.00	THRUST RING PAIR-DRIVE END,102 DIA.)	1	CONSISTING OF SR. NO. 31, 32
31	03.001.19.0.00	THRUST WASHER -DRIVE END, TOP	1	
32	03.001.21.0.00	THRUST WASHER (DRIVE END, BOTTOM)	1	
*33	B2.005.22.0.00	THRUST RING PAIR-G.E.	1	CONSISTING OF SR. NO. 34, 35
34	B2.005.18.0.00	THRUST RING HALF(G.E.-TOP)	1	
35	B2.005.19.0.00	THRUST RING HALF(G.E.-BOTTOM)	1	
36	50.602.14.000.	PLUG (M14X1.5)	1	
37	50.508.11.000.	COPPER WASHER (14X18)	1	
38	50.401.08.014.	DOWEL	2	
39	4H.235.01.0.00	ADAPTOR FOR L.O. PRESSURE SENSOR ( M10 X 1.5 X 1/8" NPTF)	1	



**TITLE: - MOUNTING FOR FUEL FILTER  
(SPIN ON) & FUEL PIPES**

**GROUP: - 4H.1359.2**



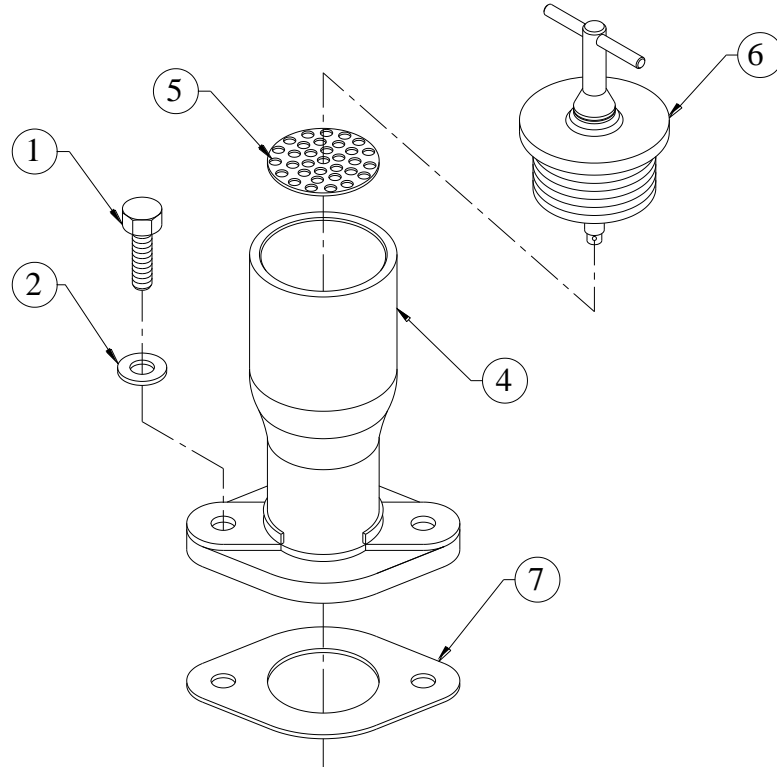
SR.NO.	PART NO.	DESCRIPTION	QTY.	REMARKS
1	4H.1359.05.0.00	MOUNTING BRACKET FOR SPIN ON FILTER	1	
2	50.003.08.015	SET SCREW - M8X1.25X15 - 8.8	3	
3	50.506.08.000	PLAIN MACHINED WASHER - M8	3	
4	50.003.12.035	SET SCREW - M12X1.75X35 - 8.8	2	
5	50.506.12.000	PLAIN MACHINED WASHER - M12	2	
6	4H.1359.11.0.PR	FUEL PIPE(FROM FEED PUMP TO FUEL FILTER) FOR 4R1040 ENGINE	1	
7	4H.1359.12.0.PR	FUEL PIPE(FROM FUEL FILTER TO FUEL PUMP) FOR 4R1040 ENGINE	1	





**TITLE:- OIL FILLING BODY**

**GROUP:- 4H.027...EXP**

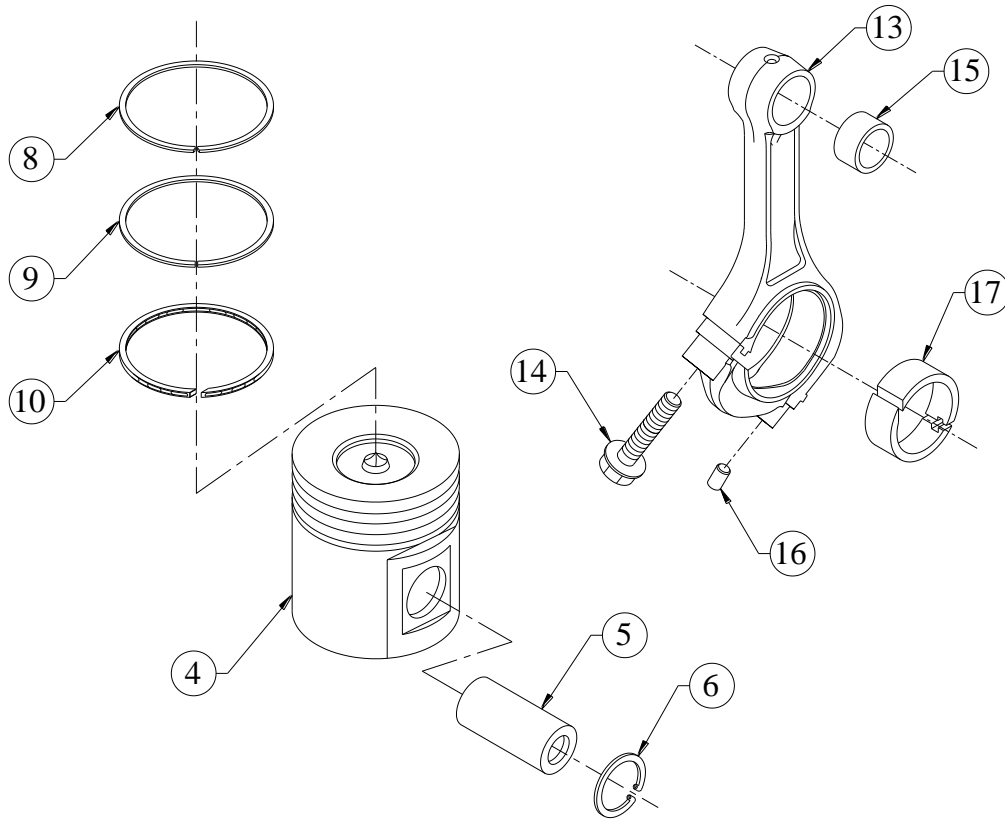


SR.NO.	PART NO.	DESCRIPTION	QTY.	REMARKS
1	50.003.08.025	SET SCREW - M8X1.25X25 - 8.8	2	
2	50.506.08.000.	PLAIN MACHINED WASHER - M8	2	
*3	4H.027.20.0.00	ASSEMBLY OF OIL FILLING BODY WITH JOINT	1	CONSISTING OF SR. NO.- 4 TO 7
4	4H.027.01.0.00	OIL FILLING BODY	1	
5	34.036.50.0.00	PERFORATED DISC.	1	
6	34.036.60.0.00	CAP ASSLY	1	
7	4H.027.11.0.00	JOINT FOR OIL FILLING BODY	1	



**TITLE: - PISTON AND CONNECTING ROD ASSEMBLY R1040NA (CMVR STAGE-II)**

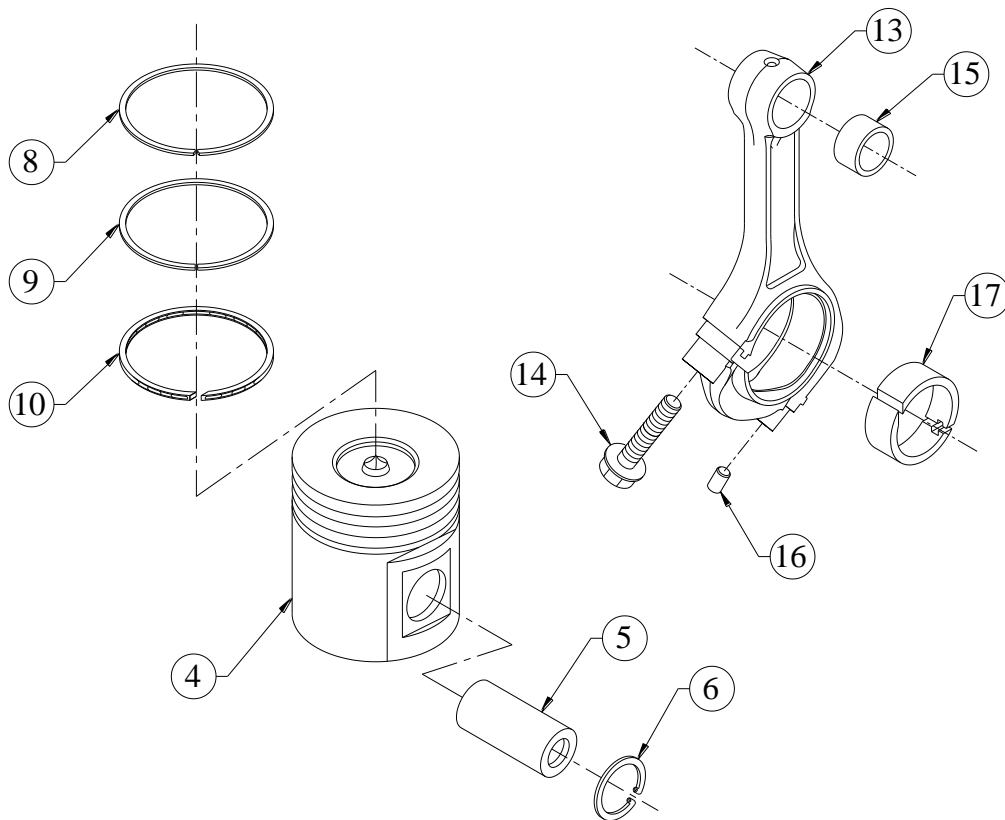
**GROUP: - 4H.1502**



SR.NO.	PART NO.	DESCRIPTION	QTY.	REMARKS
*1	4H.1502.40.0.00	PISTON & CON.ROD ASSEMBLY R1040NA (CMVR STAGE-II)	1	CONSISTING OF SR. NO. 2 & 11 NOT SUPPLIED ASSEMBLY
*2	4H.1502.10.0.00	PISTON ASSEMBLY -COMPLETE R1040NA (CMVER STAGE-II)	1	CONSISTING OF SR. NO. 3 & 7
*3	4H.1502.20.0.00	PISTON WITH PIN AND CIRCLIP R1040NA (CMVR STAGE-II)	1	CONSISTING OF SR. NO. 4 TO 6
4	3H.106.08.0.00	PISTON 105 DIA, B1 CAVITY FOR CMVR STAGE II (SUPPLIER DWG NO RD/PT/OT-H37)	1	NOT SUPPLIED LOOSE
5	34.025.24.0.00	PISTON PIN	1	
6	50.502.35.000.	CIRCLIP (INTERNAL)-35 MM	2	
*7	2H.009.55.0.00	PISTON RING SET (SUITABLE FOR WT)	1	CONSISTING OF SR. NO. 8 TO 10

**TITLE: - PISTON AND CONNECTING ROD ASSEMBLY R1040NA (CMVR STAGE-II)**

**GROUP: - 4H.1502**

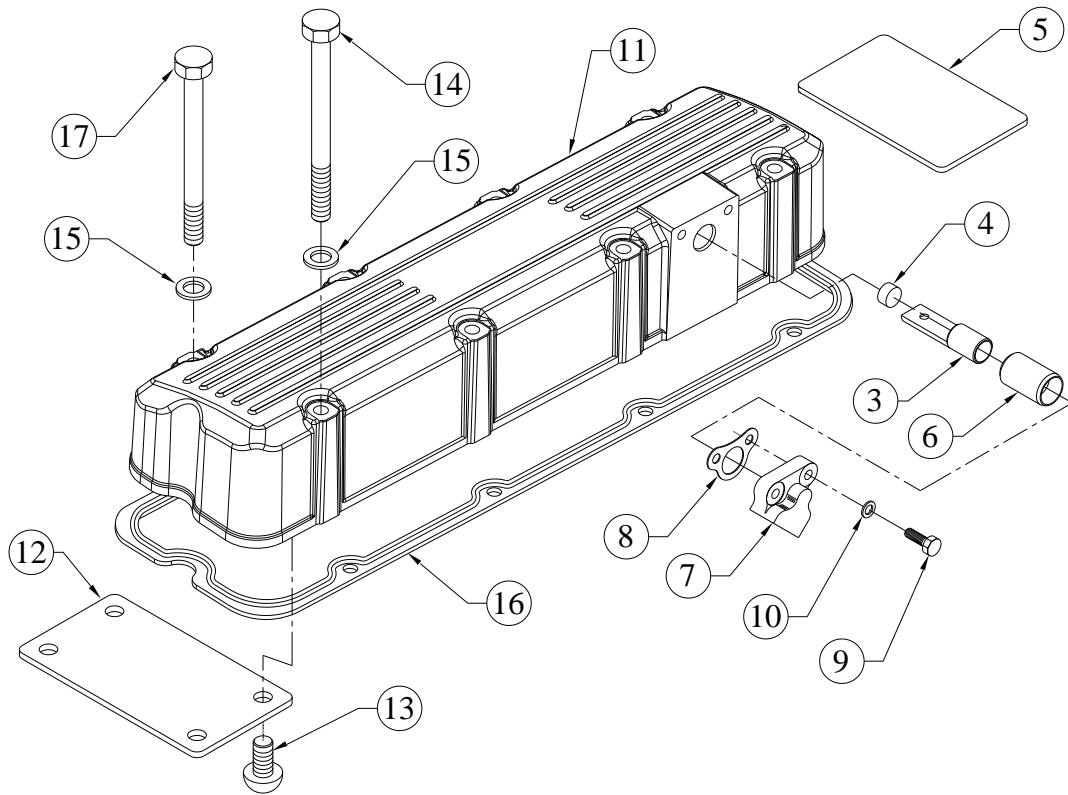


SR.NO.	PART NO.	DESCRIPTION	QTY.	REMARKS
8	2H.009.07.0.00	TOP RING 105DIA ( CHROME INLAID KEY STONE RING FOR WT PISTONS)	1	NOT SUPPLIED LOOSE
9	2H.009.03.0.00	COMPRESSION RING (105 DIA)	1	NOT SUPPLIED LOOSE
10	2H.009.09.0.00	OIL CONTROL RING 105 DIA (CHROME CONFIRMABLE OIL CONTROL RING FOR WT PISTONS )	1	NOT SUPPLIED LOOSE
*11	04.685.10.0.00	CONNECTING ROD ASSEMBLY	1	CONSISTING OF SR. NO. 12
*12	04.685.20.0.00	CON ROD ASSEMBLY (WITHOUT LE BEARING)	1	CONSISTING OF SR. NO. 13 TO 16
13	04.685.01.0.00	CONNECTING ROD (DREAM PROJECT) MACHINING	1	NOT SUPPLIED LOOSE
14	04.692.03.0.00	CONNECTING ROD BOLT	2	
15	02.021.03.9.00	SMALL END BUSH (S/F)	1	
16	50.401.07.010.	DOWEL PIN	2	







**TITLE: - ROCKER COVER (ALUMINIUM)****GROUP: - 4H.651...EXP**

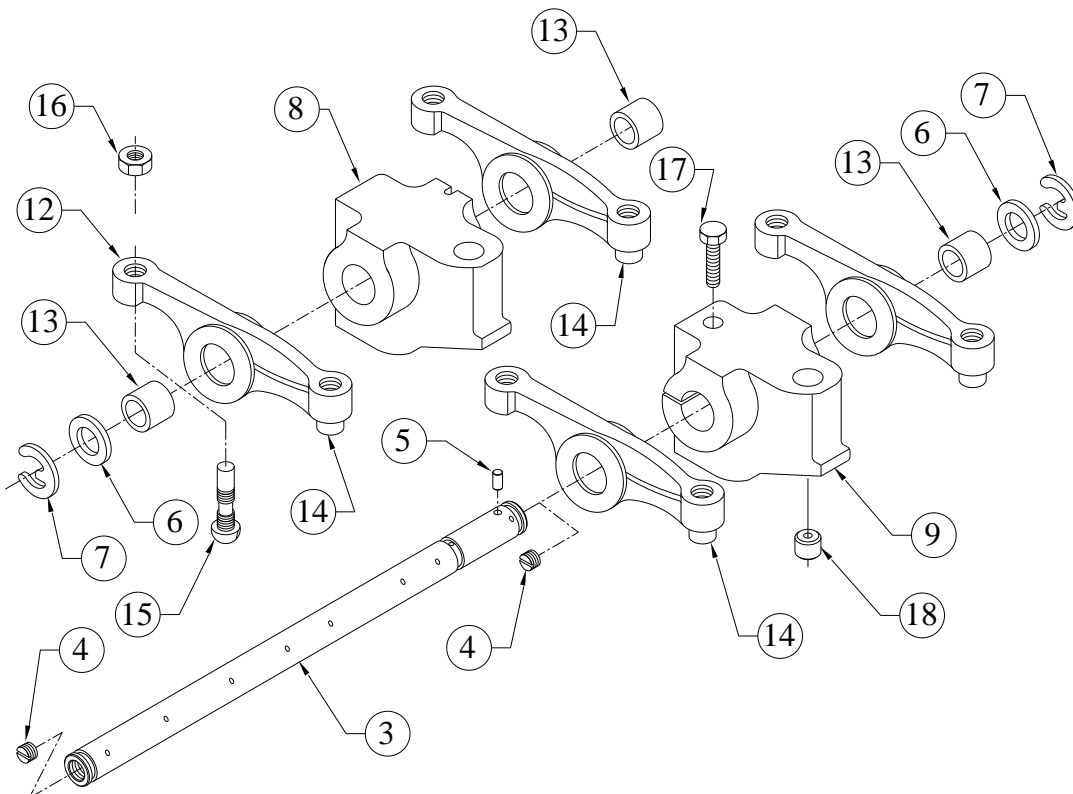
SR.NO.	PART NO.	DESCRIPTION	QTY.	REMARKS
*1	4H.651.10.0.00	ROCKER COVER ASSEMBLY	1	CONSISTING OF SR. NO. 2 & 7 TO 13
*2	3H.049.30.0.00	BREATHER TUBE ASSEMBLY	1	CONSISTING OF SR. NO. 3 TO 6
3	3H.049.11.0.00	TUBE FOR BREATHER	1	NOT SUPPLIED LOOSE
4	3H.049.12.0.00	CLOSING BUTTON	1	NOT SUPPLIED LOOSE
5	3H.049.13.0.00	PLATE	1	NOT SUPPLIED LOOSE
6	4H.139.03.0.00	ADAPTOR(FOR BREATHER TUBE )	1	NOT SUPPLIED LOOSE
7	4H.140.01.0.00	ADAPTOR (FOR BREATHER PIPE)	1	
8	4H.140.11.0.00	JOINT (ADAPTOR FOR BREATHER)	1	
9	50.003.08.025.	SET SCREW - M8X1.25X25 - 8.8	2	
10	50.506.08.000.	PLAIN MACHINED WASHER - M8	2	
11	4H.651.01.0.00	ROCKER COVER (ALLUMINIUM - SHANTI)	1	





**TITLE: - ROCKER SUPPORT ASSLY  
(LOW FREQ. TAPPET ADJ)**

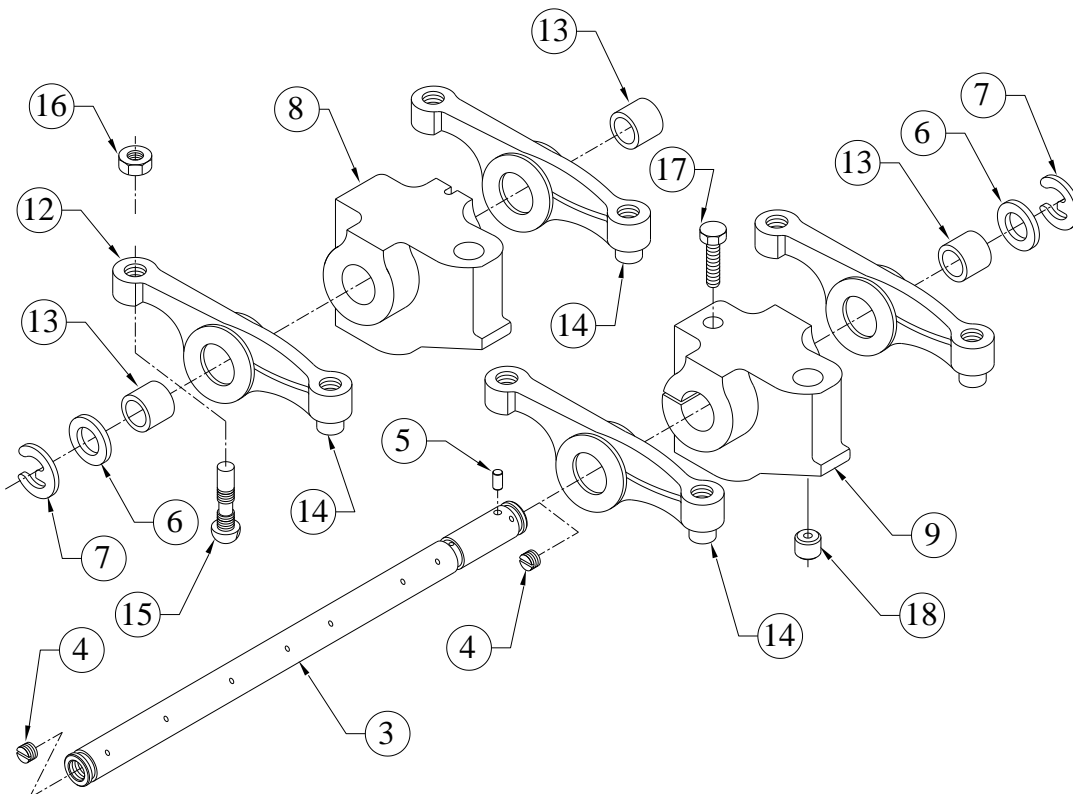
**GROUP: - 4H.1433**



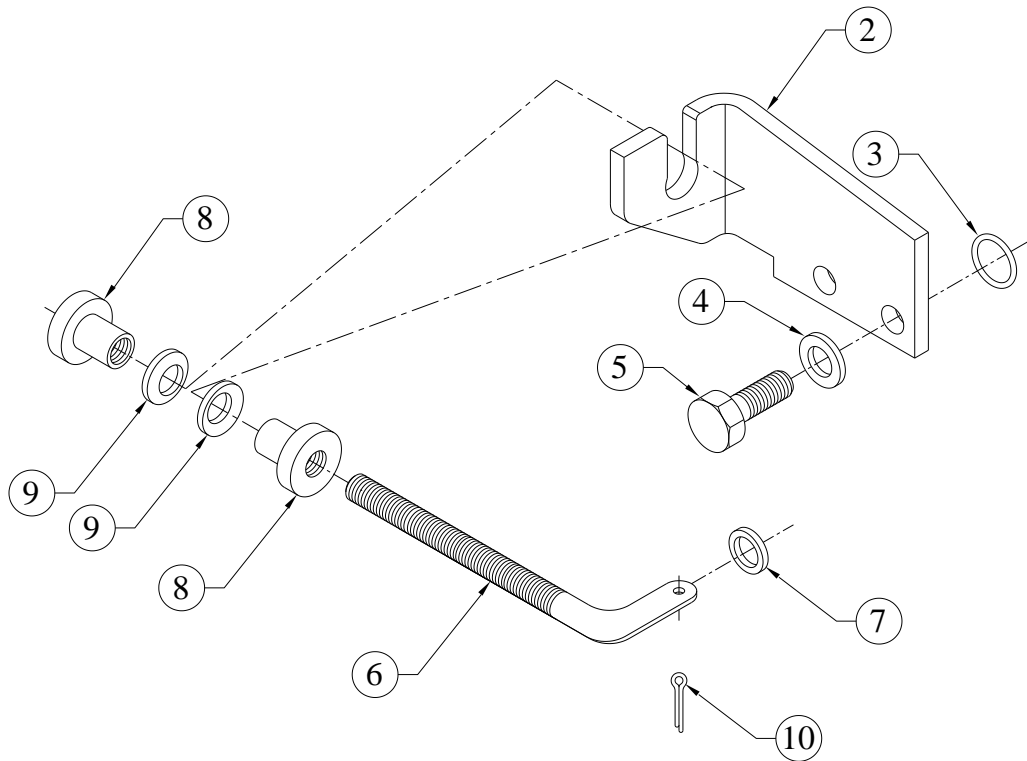
SR.NO.	PART NO.	DESCRIPTION	QTY.	REMARKS
*1	4H.1433.40.0.00	ROCKER SUPPORT ASSEMBLY COMPLETE (E TYPE CIRCLIP)	1	CONSISTING OF SR. NO. 2, 6 TO 10 & 17
*2	4H.1433.30.0.00	ROCKER SHAFT SUB ASSLY (S/F `E' TYPE CIRCLIP)	1	CONSISTING OF SR. NO. 3 TO 5
3	4H.1433.04.0.00	ROCKER SHAFT (S/F `E' TYPE CIRCLIP)	1	
4	50.022.12.010.	SOCKET HEAD GRUB SCREW - M12X10	2	
5	4H.008.04.0.00	GROOVED SOCKET PIN	1	
6	2H.022.04.0.00	WASHER(FOR ROCKER ARM)	8	
7	50.513.15.000.	E TYPE CIRCLIP-EXTERNAL (15 DIA.)	8	
8	4H.1433.02.0.00	ROCKER SUPPORT (FWE)	1	
9	4H.1433.03.0.00	ROCKER SUPPORT	3	
*10	4H.1433.20.0.00	ROCKER LEVER SUB ASSLY	8	CONSISTING OF SR. NO. 11 & 14 TO 16 NOT SUPPLIED LOOSE

**TITLE: - ROCKER SUPPORT ASSLY  
(LOW FREQ. TAPPET ADJ)**

**GROUP: - 4H.1433**



SR.NO.	PART NO.	DESCRIPTION	QTY.	REMARKS
*11	4H.1433.10.0.00	ROCKER LEVER ASSEMBLY	1	CONSISTING OF SR. NO. 12, 13
12	4H.1433.01.0.00	ROCKER ARM (FINISH)	1	NOT SUPPLIED LOOSE
13	02.024.12.9.00	V.R. BUSH (SEMI FINISH)	1	NOT SUPPLIED LOOSE
14	02.024.15.0.00	V.R.TOES	1	NOT SUPPLIED LOOSE
15	02.024.13.0.00	ROCKER-ARM ADJ. SCREW	1	
16	02.024.27.0.00	NUT FOR ROCKER ADJ.SCREW	1	
17	50.003.08.030.	SET SCREW - M8X1.25X30 - 8.8	3	
18	2H.022.06.0.00	OIL METERING ORIFICE	1	

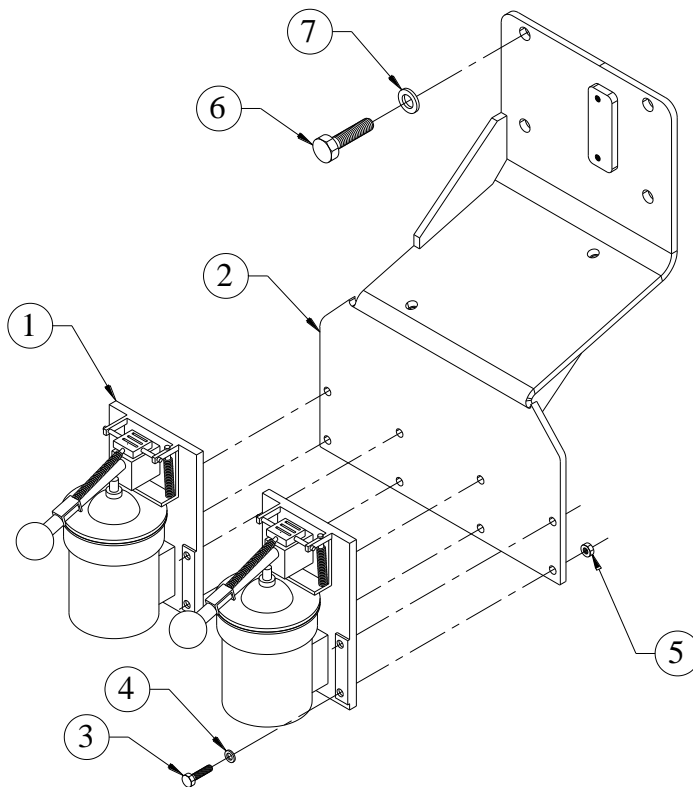
**TITLE: - SPEED ADJUSTMENT ARRANGEMENT****GROUP: - 49.638**

SR.NO.	PART NO.	DESCRIPTION	QTY.	REMARKS
*1	4H.122.30.0.00	ASSEMBLY FOR ENGINE SPEED ARRANGEMENT	1	CONSISTING OF SR. NO. 2 TO 10
2	4H.122.01.0.00	BRACKET FOR SPEED ADJUSTMENT	1	
3	03.036.01.0.00	O RING - DIPSTICK (2X5,21515 OR 21511)	2	
4	50.506.06.000.	PLAIN MACHINED WASHER - M6	2	
5	50.003.06.015.	SET SCREW - M6X1X15 - 8.8	2	
6	4H.122.02.0.00	BAR FOR SPEED ADJUSTMENT	1	
7	50.548.06.000.	WASHER	1	
8	03.065.04.0.00	KNURLED NUT	2	
9	03.065.05.0.00	SPHERICAL WASHER	2	
10	50.036.03.001.	SPLIT COTTER PIN - 1/16"X1/2"	2	



**TITLE: -STARTER SOLENOID (DUMORE)  
12V FOR F.F. ENGINES**

**GROUP: - 4H.1347.2**



SR.NO.	PART NO.	DESCRIPTION	QTY.	REMARKS
1	4H.1347.01.0.00	STARTER SOLENOID (DUMORE) 12V FOR F.F. ENGINES	2	
2	4H.1347.04.0.00	BRACKET FOR STARTER SOLENOID AND ELECTRONIC ACTUATOR MTG.	1	
3	50.003.06.025	SET SCREW - M6X1X25 - 8.8	8	
4	50.506.06.000	PLAIN MACHINED WASHER - M6	16	
5	50.006.06.000	NUT - M6X1 - GR.8.8	8	
6	50.003.10.020	SET SCREW - M10X1.5X20 - 8.8	4	
7	50.506.10.000	PLAIN MACHINED WASHER - M10	4	

**TITLE: - STICKERS FOR 4R ENGINES**

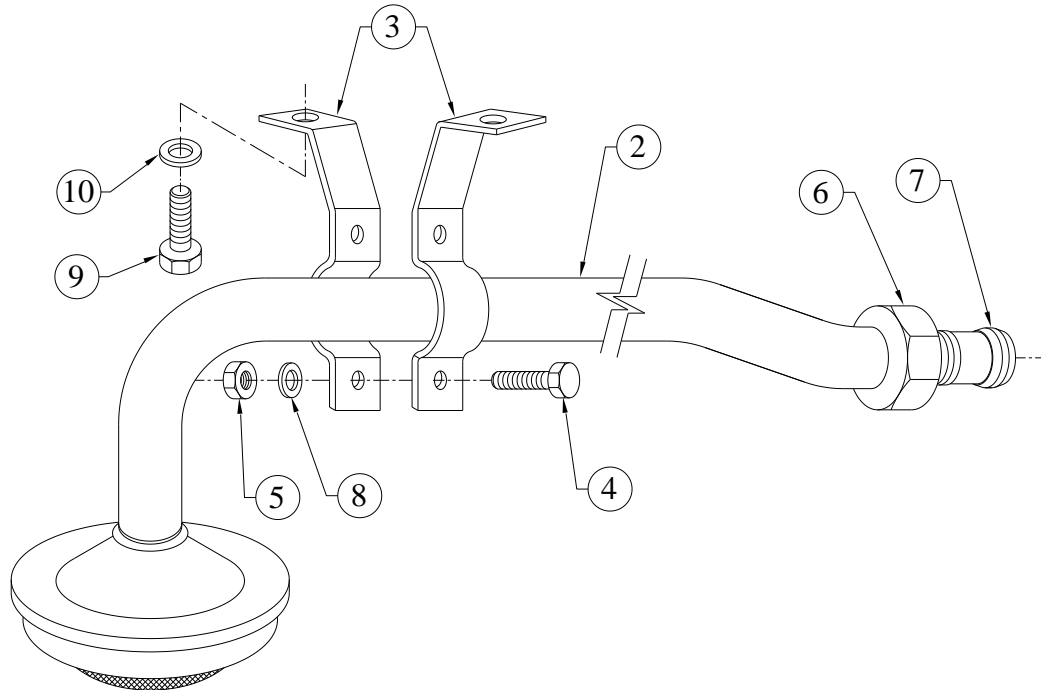
**GROUP: - 4H.1497**



SR.NO.	PART NO.	DESCRIPTION	QTY.	REMARKS
1	4H.1497.01.0.00	STICKER(FOR ENGINE AIR FILTER)	2	
2	6H.1143.01.0.00	STICKER(FOR ENGINE COOLANT HEATER)	1	
3	4H.1497.03.0.00	STICKER(FOR ENGINE ROTATING PARTS)	2	
4	4H.1497.04.0.00	STICKER(FOR SAFETY)	2	
5	4H.1497.05.0.00	STICKER(FOR ENGINE LIFTING)	2	
6	4H.1497.06.0.00	STICKER (FOR H.E. MAX. WORKING PRESSURE)	1	
7	4H.1497.07.0.00	STICKER(FOR ENGINE COOLANT MIXTURE)	1	
8	4H.1497.08.0.00	STICKER(FOR ENGINE ALTERNATOR)	1	
9	4H.1497.09.0.00	STICKER(FOR ENGINE FUEL LINE)	1	

**TITLE: - SUCTION TUBE(SHEET METAL SUMP)**

**GROUP: - 4H.064**

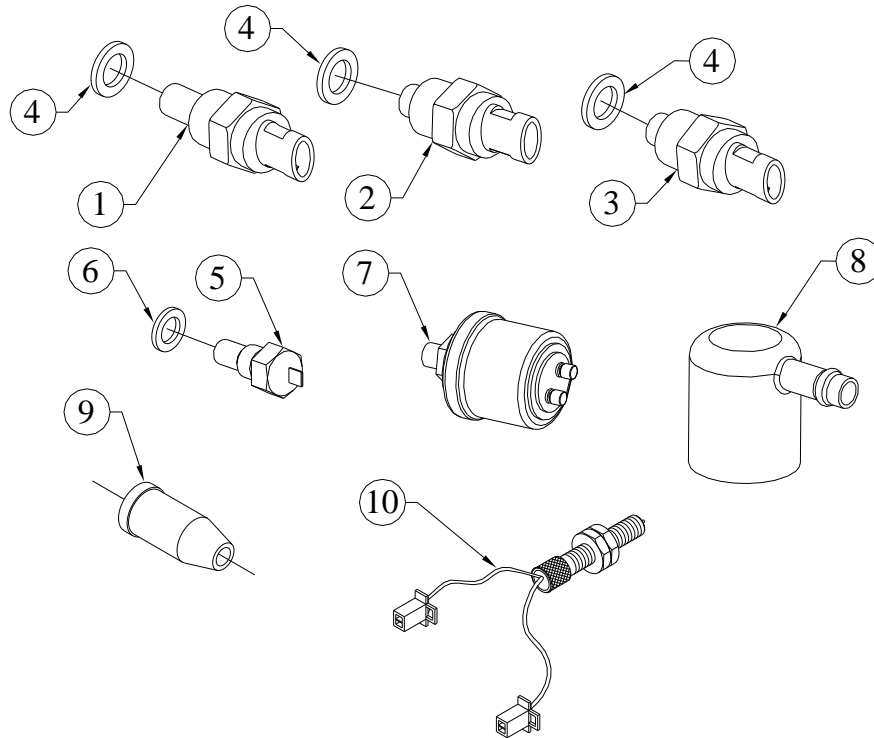


SR.NO.	PART NO.	DESCRIPTION	QTY.	REMARKS
*1	4H.064.10.0.00	SUCTION TUBE ASSLY.(COMPLETE)	1	CONSISTING OF SR. NO. 2 TO 8
2	4H.064.20.0.00	SUCTION TUBE ASSLY.(SHEET METAL SUMP)	1	
3	03.011.04.0.00	CLIP FOR PIPE	2	
4	50.003.06.012.	SET SCREW - M6X1X12 - 8.8	2	
5	50.006.06.000.	NUT - M6X1 - GR.8	2	
6	03.011.02.0.00	UNION SCREW	1	
7	03.011.03.0.00	DOUBLE CONE RING	1	
8	50.506.06.000.	PLAIN MACHINED WASHER - M6	2	
9	50.003.08.016.	SET SCREW - M8X1.25X16 - 8.8	2	
10	50.506.08.000.	PLAIN MACHINED WASHER - M8	2	



**TITLE: -TEMPRATURE SWITCH & SENSORS  
FOR FM/UL ENGINE**

**GROUP: -F6.906.1**

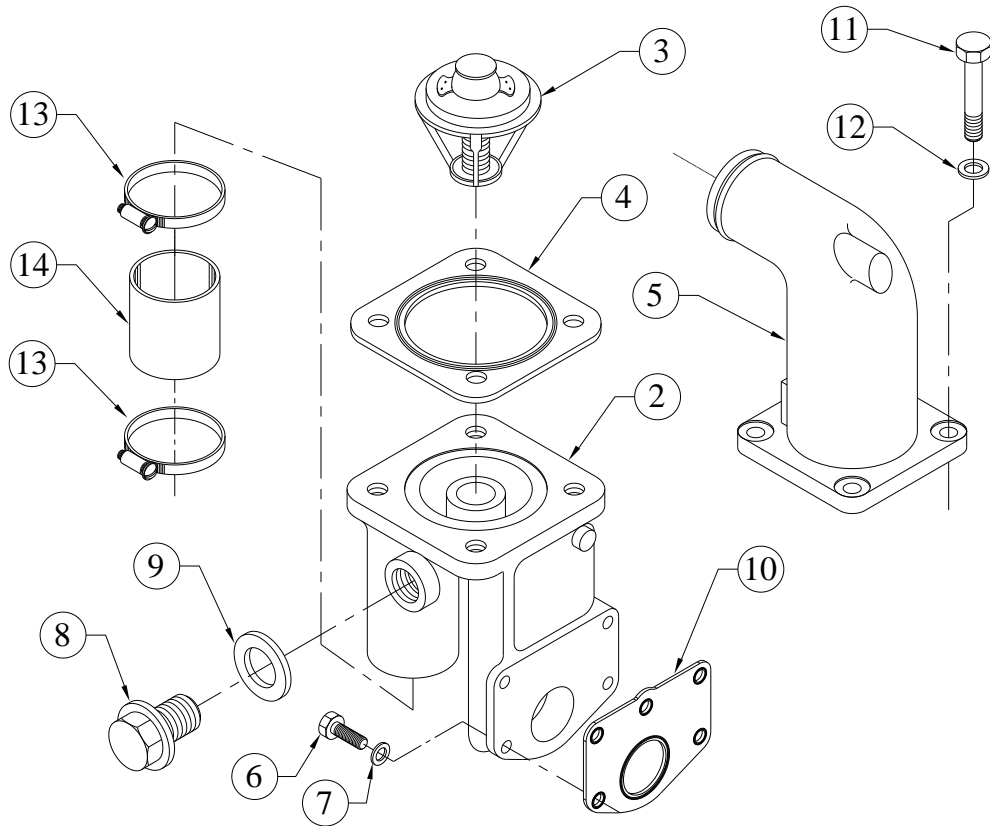


SR.NO.	PART NO.	DESCRIPTION	QTY.	REMARKS
1	F6.906.70.0.PR	LOW ENGINE COOLANT TEMPERATURE SWITCH	1	
2	F6.906.71.0.PR	RAW WATER HIGH TEMPRATURE SWITCH	1	
3	F6.906.72.0.PR	ENGINE COOLANT TEMPRATURE SWITCH	1	
4	50.508.28.000	COPPER WASHER (24X32)	3	
5	46.085.02.0.00	SENSOR UNIT (FOR ELEC TEMP GAUGE)	1	
6	50.508.11.000	COPPER WASHER (14X18)	1	
7	2H.092.11.0.00	LUBE OIL PRESSURE SENDOR, (SENSOR + SWITCH), VDO SIEMENCE (INDIA), 2 TERMINAL, BODY GROUND WITH IMPORTED BOBBIN ASSEMBLY	1	
8	46.252.02.0.00	RUBBER SLEEVE 38X10 FOR PR GAUGE SENDOR	1	
9	3H.905.05.0.00	RUBBER SLEEVE FOR TEMP.SWITCH / SENSOR	3	



**TITLE: - THERMOSTAT & MTG.[USA]**

**GROUP: - 4H.053...EXP**



SR.NO.	PART NO.	DESCRIPTION	QTY.	REMARKS
*1	4H.053.30.0.00	SUB ASSEMBLY OF THERMOSTAT HOUSING	1	CONSISTING OF SR. NO. 2 TO 9
2	4H.053.01.0.00	THERMOSTAT HOUSING M14 TAP BOTH SIDES	1	
3	39.040.09.0.00	THERMOSTAT ELEMENT(74 DEG) - WTIL NO.DEV358	1	
4	4H.053.08.0.00	JOINT FOR THERMOSTAT COVER (METTALIC)	1	
5	4H.053.02.0.00	THERMOSTAT COVER(PG - 116 HEIGHT)	1	
6	50.003.08.025.	SET SCREW - M8X1.25X25 - 8.8	4	
7	50.506.08.000.	PLAIN MACHINED WASHER - M8	4	
8	50.602.14.000.	PLUG (M14X1.5)	1	
9	50.508.14.000.	COPPER WASHER (16X22)	1	
10	4H.053.11.0.00	JOINT FOR THERMOSTAT HOUSING	1	
11	50.002.08.050.	SET BOLT - M8X1.25X50 - 8.8	4	
12	50.506.08.000.	PLAIN MACHINED WASHER - M8	4	

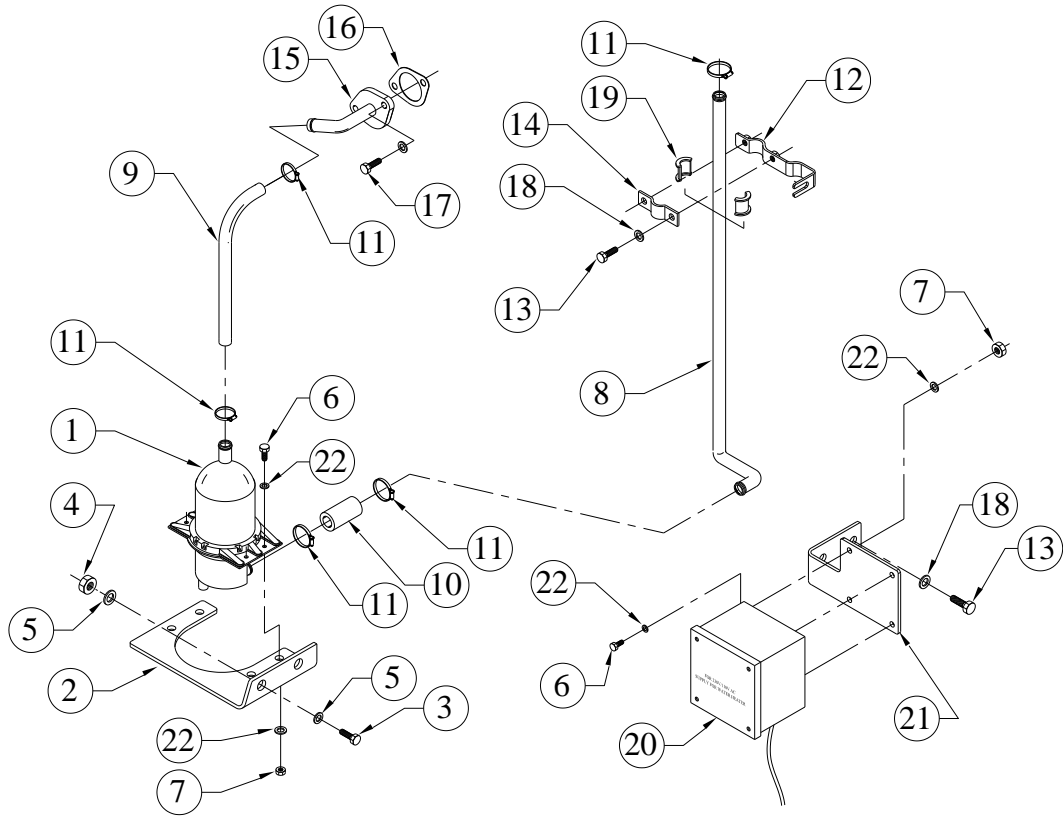






**TITLE: - WATER HEATER (KIM HOTSTART, TPS102GT12-003, 240V) WITH MOUNTING**

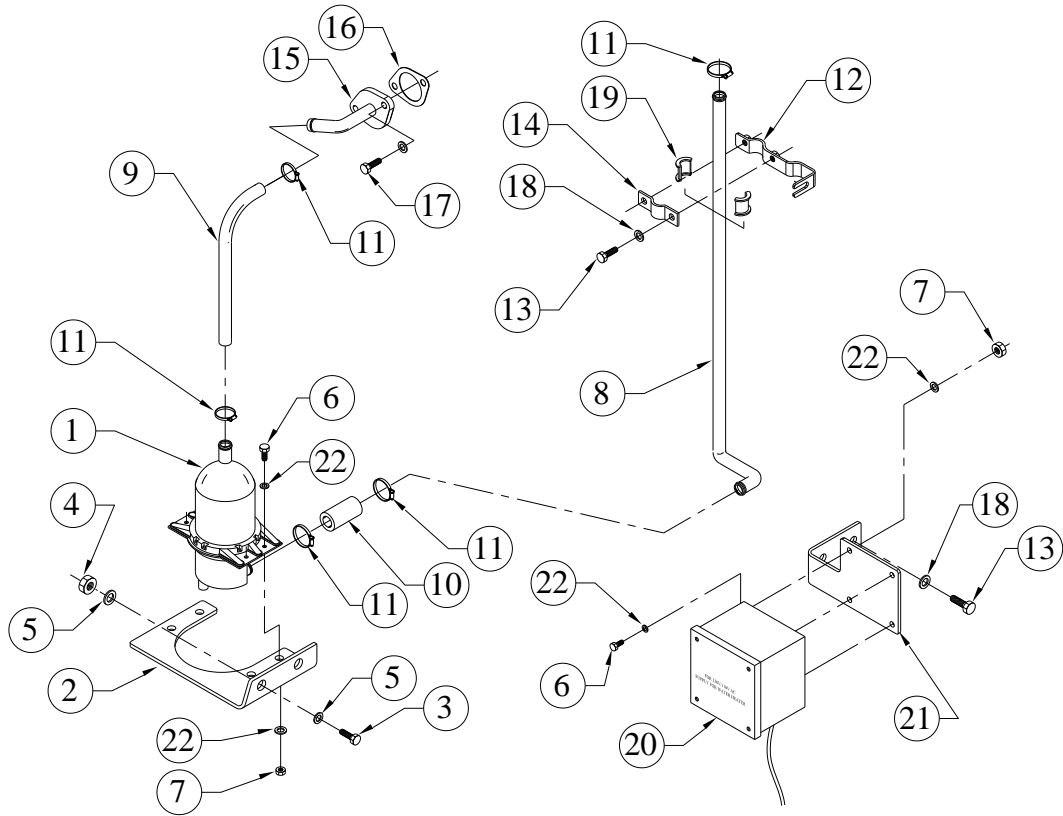
**GROUP: - 4H.1355.2**



SR.NO.	PART NO.	DESCRIPTION	QTY.	REMARKS
1	F6.984.01.0.00	WATER HEATER(KIM HOTSTART, TPS 152GT12-006, 1.5kW, 240V)	1	
2	4H.1355.02.0.00	BRACKET FOR WATER HEATER MOUNTING	1	
3	50.003.10.035	SET SCREW - M10X1.5X35 - 8.8	2	
4	50.006.10.000	NUT - M10X1.5 - GR.8.8	4	
5	50.506.10.000	PLAIN MACHINED WASHER - M10	8	
6	50.003.06.015	SET SCREW - M6X1X15 - 8.8	8	
7	50.006.06.000	NUT - M6X1 - GR.8.8	8	
8	4H.1355.03.0.00	INLET PIPE FOR WATER HEATER	1	
9	4H.1355.13.0.00	RUBBER HOSE(FOR WATER HEATER)	1	
10	4H.1355.05.0.00	HOSE FOR WATER HEATER PIPE	1	
11	49.097.08.0.00	HOSE CLIP SIZE NO 1 28X30	5	
12	4H.1355.06.0.00	CLAMPING BRACKET FOR WATER HEATER INLET PIPE	1	
13	50.003.08.015	SET SCREW - M8X1.25X15 - 8.8	4	
14	4H.1355.08.0.00	CLAMP FOR WATER HEATER PIPE	1	

**TITLE: - WATER HEATER (KIM HOTSTART, TPS102GT12-003, 240V) WITH MOUNTING**

**GROUP: - 4H.1355.2**



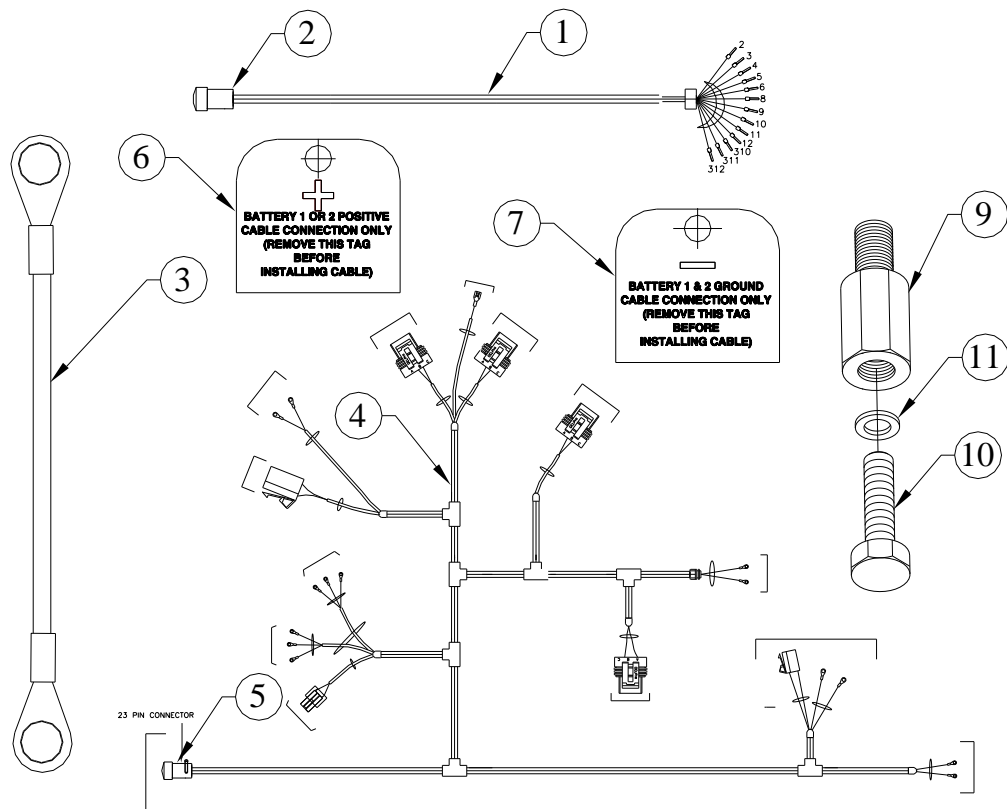
SR.NO.	PART NO.	DESCRIPTION	QTY.	REMARKS
15	4H.1355.12.0.PR	ADAPTOR ON CYLINDER HEAD(FOR WATER HEATER INLET)	1	
16	4H.022.11.0.00	JOINT FOR WATER OUTLET MANIFOLD	1	
17	50.003.08.020.	SET SCREW - M8X1.25X20 - 8.8	2	
18	50.506.08.000.	PLAIN MACHINED WASHER - M8	4	
19	4H.1355.09.0.00	RUBBER BOOT(FOR WATER HEATER PIPE CLAMPING BKT)	2	
20	F6.984.10.0.00	TERMINAL BOX WITH PHONIX MAKE UK10 TERMINAL ASSEMBLY FOR WATER HEATER	1	
21	6H.1144.06.0.00	BRACKET FOR JUNCTION BOX(WATER HEATER S/F 6R)	1	
22	50.506.06.000.	PLAIN MACHINED WASHER - M6	16	





**TITLE: - WIRING HARNESS 4 R1040NA FM/UL  
REVISED STANDARD**

**GROUP: - 4H.905.5**



SR.NO.	PART NO.	DESCRIPTION	QTY.	REMARKS
1	6H.902.80.0.PR	PANEL TO PANEL WIRING HARNESS ASSEMBLY F.F.SET (REVISED STANDARD FMUL PROJECT) WITH 16-PIN CONNECTOR	1	
2	6H.902.16.0.00	16-PIN CONNECTOR ALLIED MAKE MS3106F-36-14S (FEMALE TYPE)	1	
3	4H.906.50.0.PR	BATTERY STARTER CABLE 4RNA & TA FM/UL	1	
4	4H.906.30.0.PR	WIRING HARNESS ASSEMBLY 4 R1040NA F.F.SET (REVISED STANDARD FMUL PROJECT) WITH ALTERNATOR & 23-PIN CONNECTOR	1	
5	6H.902.24.0.00	23-PIN CONNECTOR ALLIED MAKE MS-3106-E-32-6-S (FE-MALE TYPE PINS)	1	
6	6H.902.17.0.00	BATTERY +VE (POSITIVE) CONNECTION TAG	2	

