

NOTE: ALL DIMENSIONS SHOWN ARE IN MM AND IN BRACKET ARE IN INCHES.

DATUMS:-

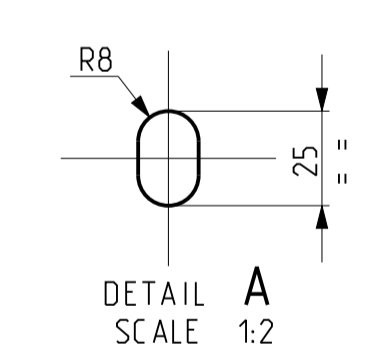
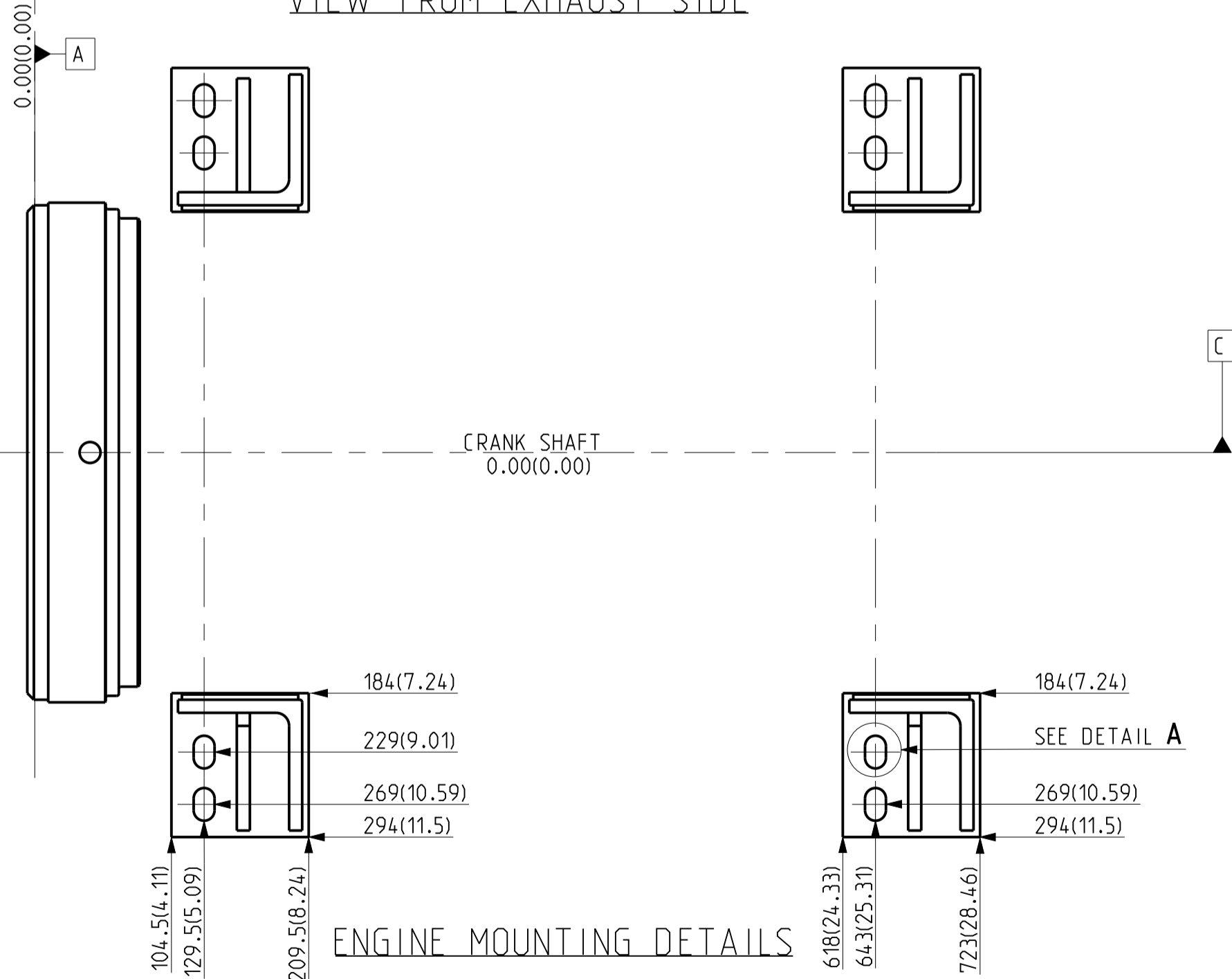
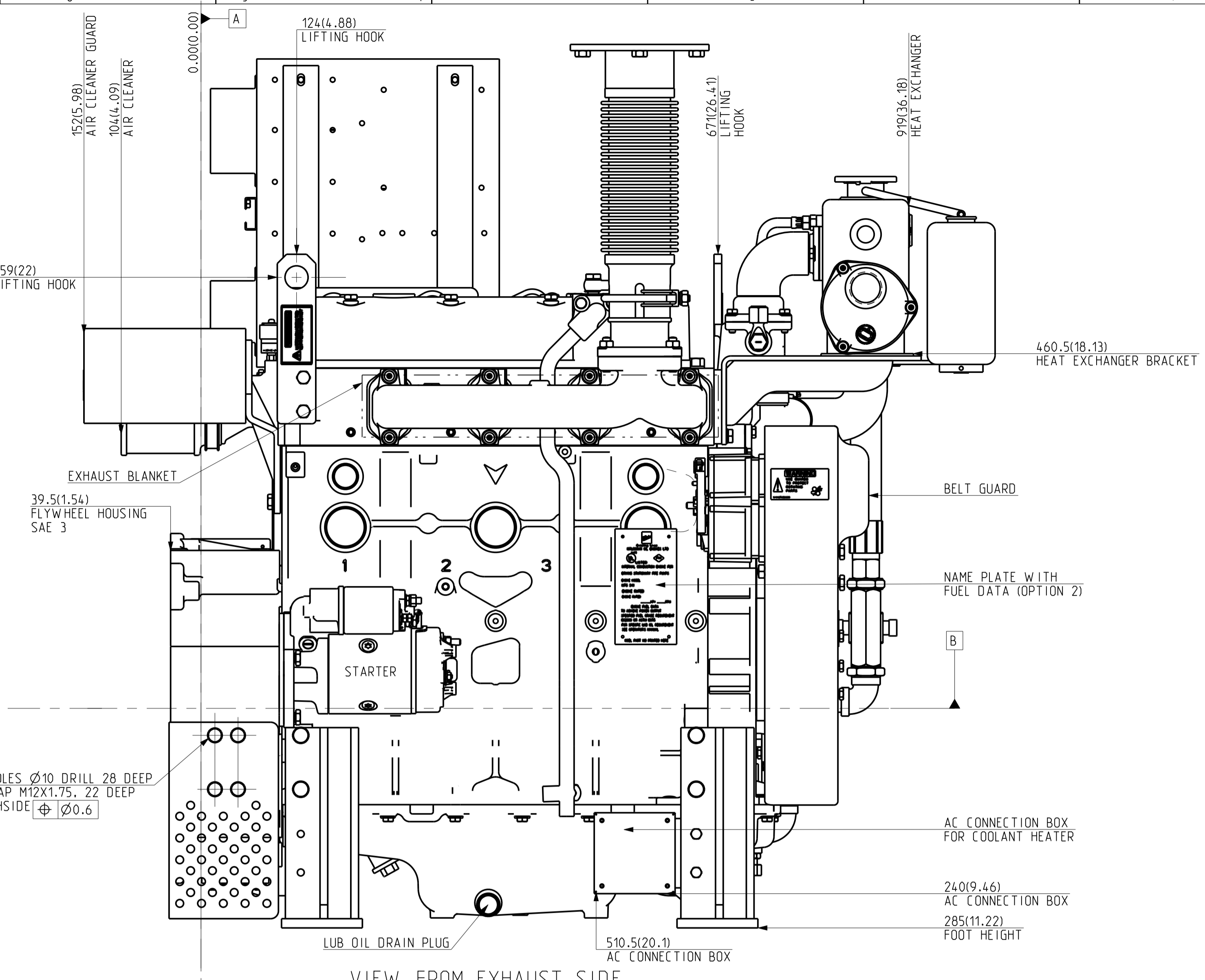
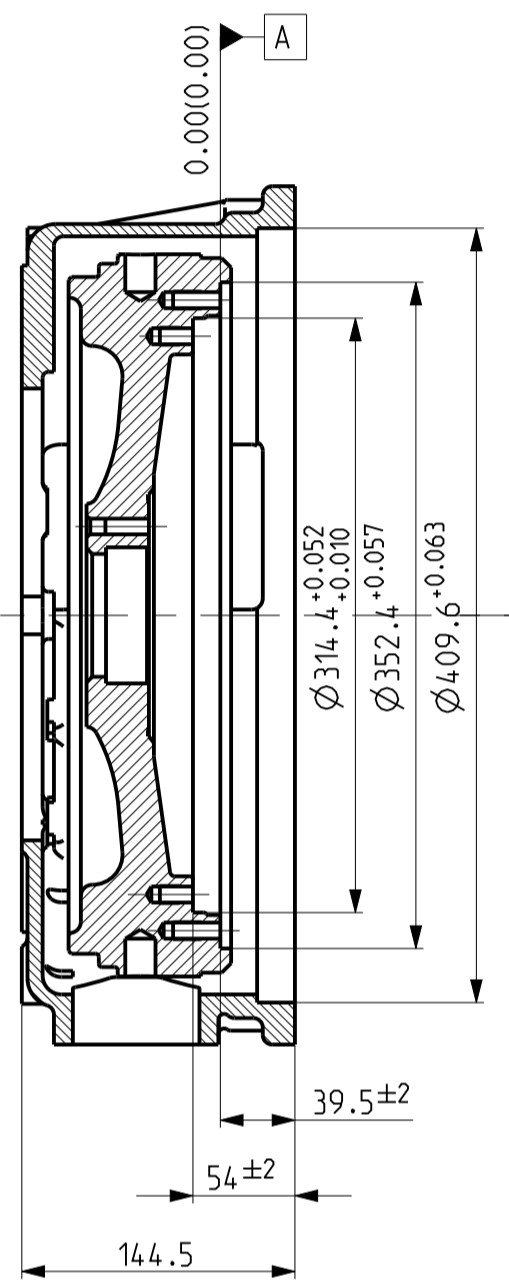
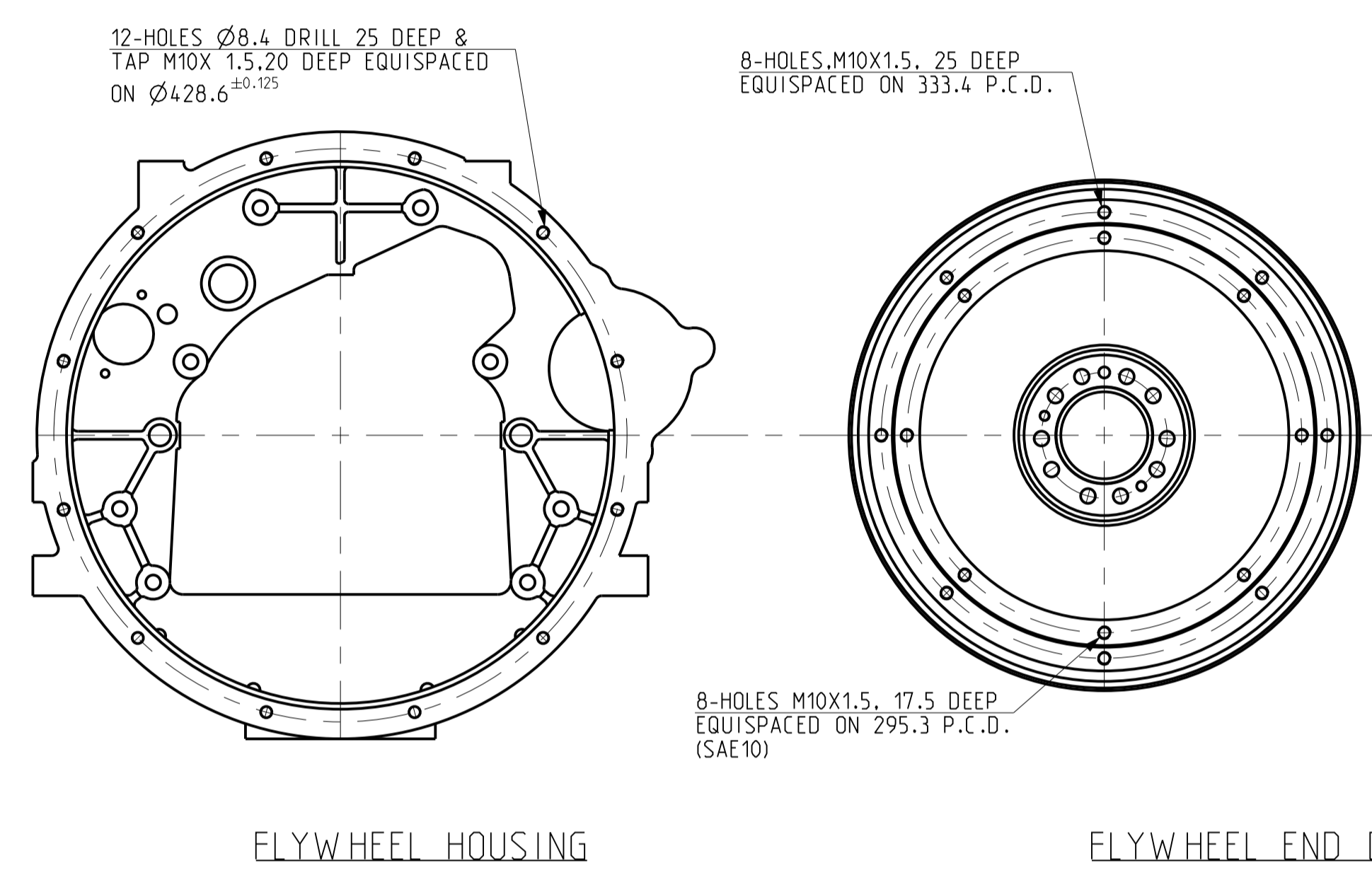
- A MOUNTING FACE OF FLYWHEEL.
- B ENGINE CRANKSHAFT HORIZONTAL CENTRE LINE.
- C ENGINE CRANKSHAFT VERTICAL CENTRE LINE

IF IN DOUBT ASK PRINTS OF PREVIOUS REVISION NO. SHOULD BE SCRAPPED

THIS DRAWING IS PROPERTY OF KIRLOSKAR OIL ENGINES LTD. AND MUST BE RETURNED ON REQUEST. IT IS SUBMITTED AS CONFIDENTIAL INFORMATION WITH OUR ENQUIRY, TENDER, ORDER OR CONTRACT NO. IT IS NOT TO BE ISSUED FOR ANY OTHER PURPOSE OR ORDER NOR MAY BE COPIED OR LENT WITHOUT OUR AUTHORITY IN WRITING.

FORMAT No. RBE/FORM/056/01 (REFER DDP No. RBE 4.4/03)

UNLESS OTHERWISE SPECIFIED		CAD DRG. FILE:- PLM		CASTING/FORGING DRG. NO.															
● ALL DIMENSIONS ARE IN MM.		MATERIAL :-		WEIGHT (kg) :-															
● SURFACE ROUGHNESS AS PER CO. STD. NO. 10501.		DRN SSG(MODELCAM)		TYPE KFP4R-UF08															
● UNMENTIONED TOLERANCES AS PER CO. STD. NO. 19001/M.		CHD. <i>S. Kulkarni</i>		SCALE 1:5															
● REMOVE ALL SHARP BURRS AND SHARP EDGES.		APPD. <i>S. Sushruth</i>		SHT. NO 1 OF 2															
● DRAWING NOT TO BE SCALED.		DATE 05/06/2017		DRAWING NO. 4H.2215.00.0.00															
UNMENTIONED		DATE 05/06/2017		REV. NO. 00															
RADI1		CHAMFER		KIRLOSKAR OIL ENGINES LTD., PUNE 411 003 (INDIA)															
UNDERCUT		DATE		DRAWING NO. 4H.2215.00.0.00															
No.	REVISION	ZONE	MODIFIED BY	REF. No. DATE	No.	REVISION	ZONE	MODIFIED BY	REF. No. DATE	No.	REVISION	ZONE	MODIFIED BY	REF. No. DATE	No.	REVISION	ZONE	MODIFIED BY	REF. No. DATE
00	NEW RELEASE				4H.3183 05/06/2017														



NOTE:- ALL DIMENSIONS SHOWN ARE IN MM AND IN BRACKET ARE IN INCHES.

LIFECYCLE STATE:- Released

IF IN DOUBT ASK

PRINTS OF PREVIOUS REVISION NO. SHOULD BE SCRAPPED

THIS DRAWING IS PROPERTY OF KIRLOSKAR OIL ENGINES LTD. AND MUST BE RETURNED ON REQUEST. IT IS SUBMITTED AS CONFIDENTIAL INFORMATION WITH OUR ENQUIRY. TENDER, ORDER OR CONTRACT NO. IT IS NOT TO BE ISSUED FOR ANY OTHER PURPOSE OR ORDER NOR MAY BE COPIED OR LENT WITHOUT OUR AUTHORITY IN WRITING.

FORMAT No.RBE/FORM/056/01 (REFER DOP No. RBE 4.4/03)

UNLESS OTHERWISE SPECIFIED				CAD DRG. FILE:-		PLM		CASTING/FORGING DRG. NO.						
● ALL DIMENSIONS ARE IN mm.				MATERIAL :-		HEAT TREATMENT :-		WEIGHT (kg) :-						
● SURFACE ROUGHNESS AS PER CO. STD. NO. 10501.				DRN SSG(MODELCAM)		TITLE		TYPE KFP4R-UF08						
● UNMENTIONED TOLERANCES AS PER CO. STD. NO. 19001/M.				CHD. S. N. Srinivasan		ENGINE INSTALLATION		SCALE 1:4						
● REMOVE ALL SHARP BURRS AND SHARP EDGES.				APPD. S. N. Srinivasan		DRAWING FOR KFP4R-UF08 SERIES ENGINES.		SHT. NO 2 OF 2						
● DRAWING NOT TO BE SCALED.				UNMENTIONED		DATE 05/06/2017		DRAWING NO. 4H.2215.00.0.00						
00 NEW RELEASE				4H.3183 05/06/2017		KIRLOSKAR OIL ENGINES LTD., PUNE 411 003 (INDIA)		REV. NO. 00						
No.	REVISION	ZONE	MODIFIED BY	REF. No.	DATE	No.	REVISION	ZONE	MODIFIED BY	REF. No.	DATE	DRAWING NO. 4H.2215.00.0.00		REV. NO. 00